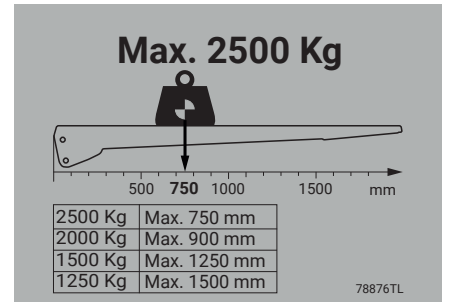
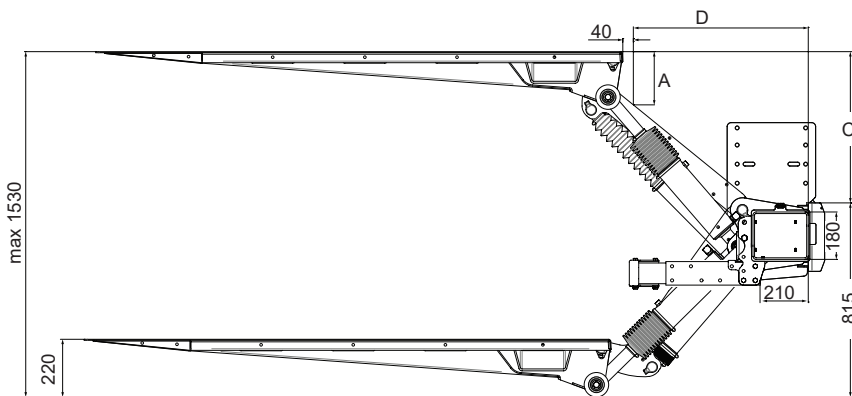


ZEPRO ZDK 250 - 155

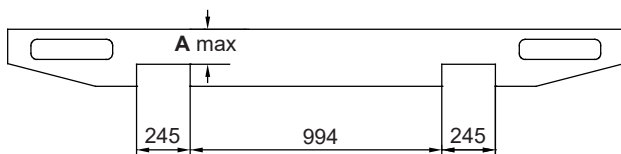
Loading diagram



Installation dimensions (mm)



C	A	D
715	229	680
680	212	725
630	194	781
580	179	828
530	164	869
480	145	904
430	129	934



TD-ZEPRO-ZDK250-155-EN-EU_230929

Technical Data Sheet

2023-09-29 | zepro.com

