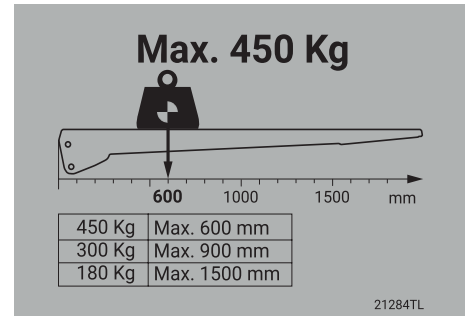
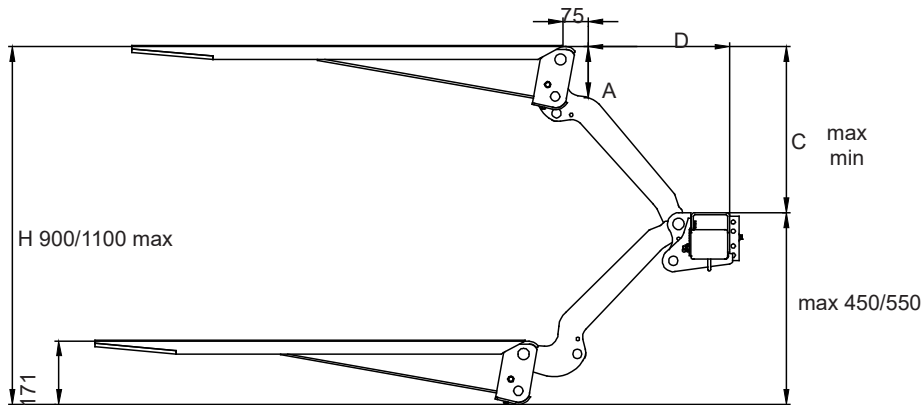


# ZEPRO ZN 45-110

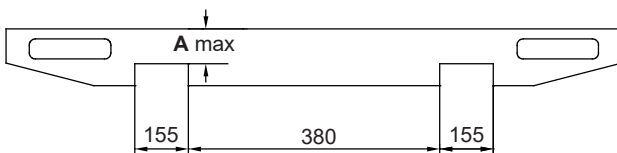
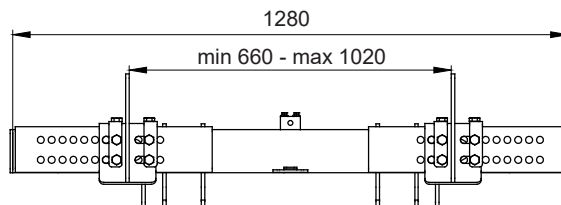
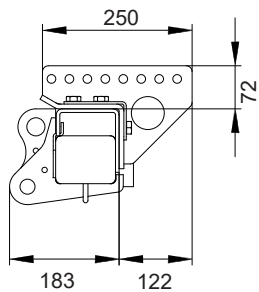
Loading diagram



Installation dimensions (mm)



C	A	D
550	186	432
500	168	498
450	155	549
400	145	590
350	137	624
310	131	652
250	124	675



TD-ZEPRO-ZN45-110 -EN-EU\_230929

Technical Data Sheet

2023-09-29 | [zepro.com](http://zepro.com)

