



PRECISE PERFORMANCE

INTRODUCING HIAB X-HIPRO 352





- The V200 valve allows a higher oil flow and faster working cycles
- You now have more hand control options: CombiDrive (levers) or XSDrive (levers or joystick)
- Increased crane capacity lets you lift more with the same outreach

HIAB X-HIPRO 352

When it really counts, there's no substitute for accuracy. And total accuracy is what the new HIAB X-HiPro 352 delivers. It's the latest in a whole range of Hiab loader cranes designed with building, construction and roofing in mind.

With its task-optimized boom and jib, the HIAB X-HiPro 352 lets you work with finesse – even at maximum outreach. You get controlled strength for precision lifting, supplied through advanced valve technology and a lightweight boom that gets more from the same steel structure.

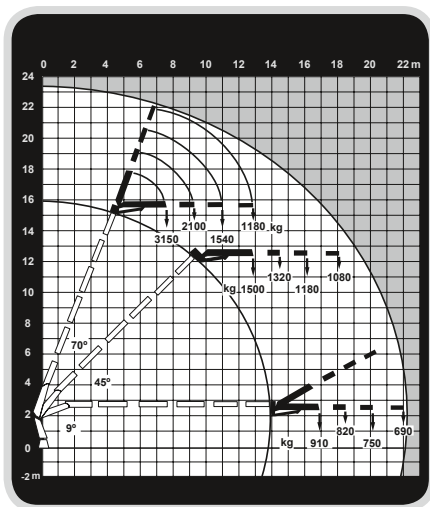
Thanks to the state-of-the-art HiPro control system, you can also count on a flawless response to your every movement. HiPro brings you advanced features like LSS-V, which provides automatic damping to keep the load from swinging if you make an abrupt stop.

Simply put, even the most delicate installation tasks are in safe hands with the new HIAB X-HiPro 352. And if you add Hiab HiConnect, our connected service for managing your fleet, so is your productivity.

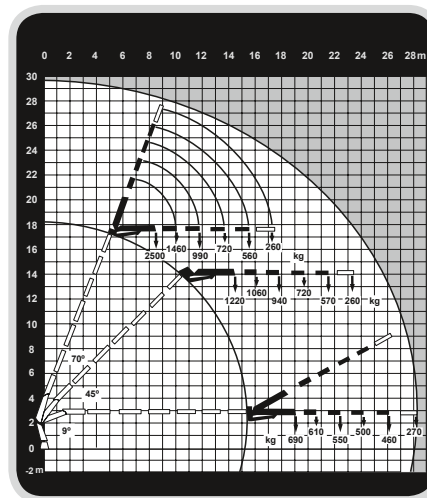
HIAB X-HIPRO 352

Technical data	HIAB X-HIPRO 352E-5 +J100X-3	HIAB X-HIPRO 352E-6 +J70X-4	HIAB X-HIPRO 352E-8
Lifting Capacity (kNm)	308	302	292
Outreach, hydraulic extensions (m)	21	26	21
Outreach, with manual extension (m)	-	28	22.6
Installation space required, rotation area included (mm)	1319	1319	1258
Height in folded position (mm)	2591	2674	2380
Weight in standard version, without stabilizers (kg)	4776	4806	4266
Weight, stabilizer equipment (kg)	454-556	454-556	454-556

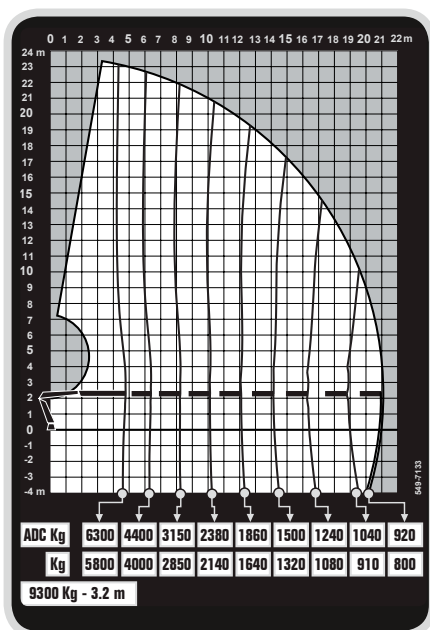
Load diagram
HIAB X-HIPRO 352 E-5 JIB 100X-3



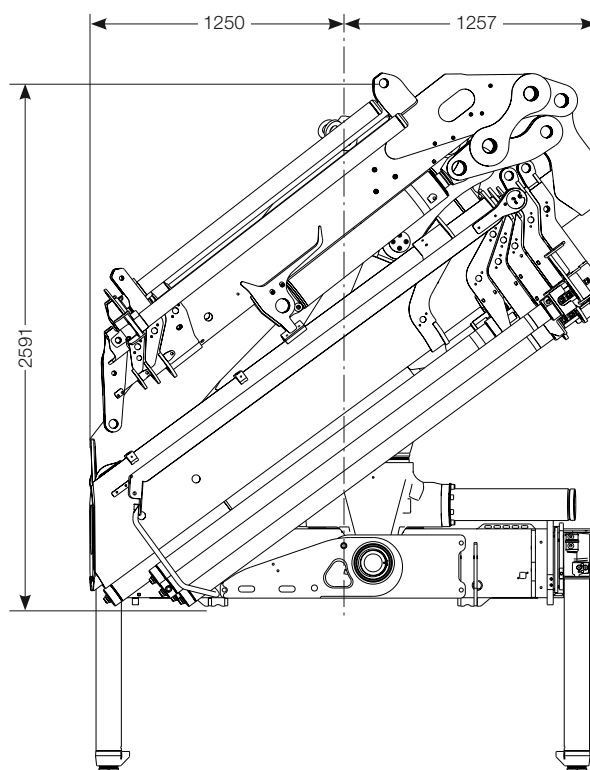
Load diagram
HIAB X-HIPRO 352 E-6 JIB 70X-4



Load diagram
HIAB X-HIPRO 352 E-8



Side view diagram
HIAB X-HIPRO 352



BUILT TO PERFORM

Hiab is the world's leading provider of on-road load handling equipment, intelligent services and digitally connected solutions. Hiab's offering encompasses class-leading load handling equipment including HIAB loader cranes, LOGLIFT and JONSERED forestry and recycling cranes, MOFFETT truck mounted forklifts, MULTILIFT demountables, and tail lifts under ZEPRO, DEL, and WALTCO brands. As the industry pioneer, our commitment is to increase efficiency in our customers' businesses and to shape the future of intelligent load handling.

hiab.com

Hiab is part of Cargotec Corporation.

cargotec.com



PB-XHIPRO362-EN-EU_171009

To learn more, visit hiab.com



hiab.com

