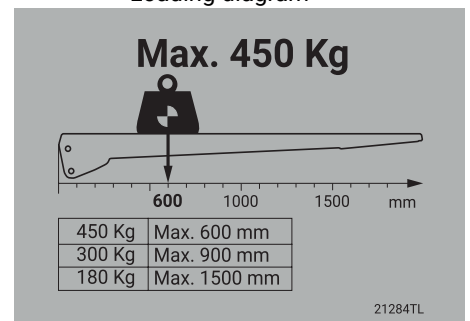
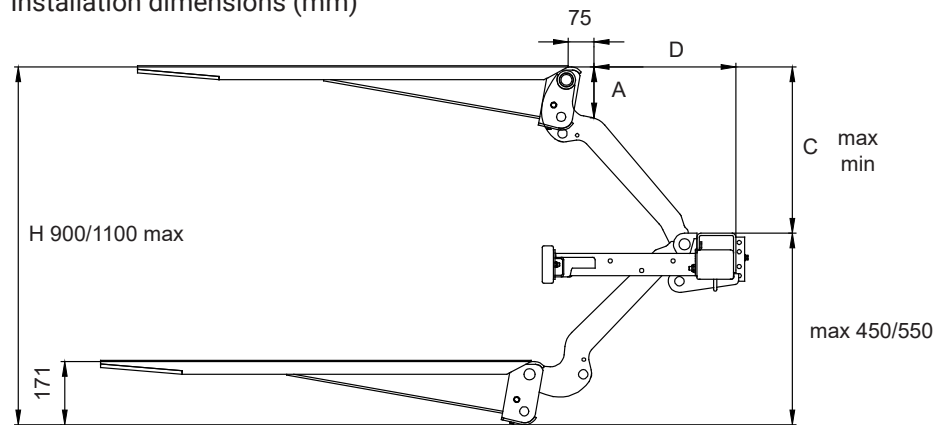


ZEPRO ZLU 45-90

Loading diagram



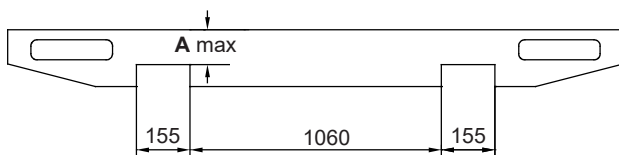
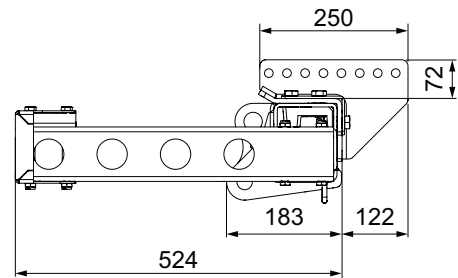
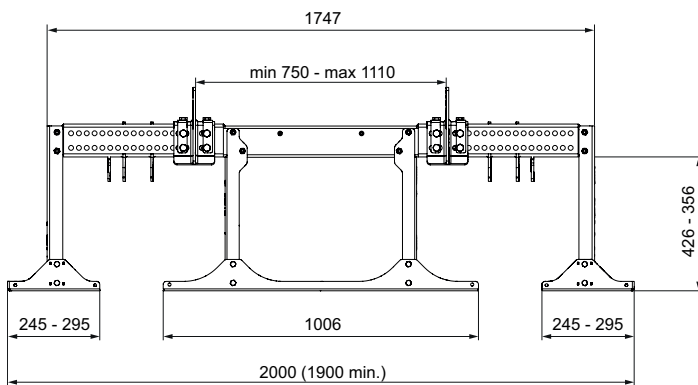
Installation dimensions (mm)



C	A	D	R58:3
450	170	384	Approved
400	154	444	
350	143	490	
310	134	526	

250	127	554	*Approved
-----	-----	-----	-----------

*Approved when installing longer underride brackets (available as an option)



TD-ZEPRO-ZLU45-90-EN-EU_230929

Technical Data Sheet

2023-09-29 | zepro.com

