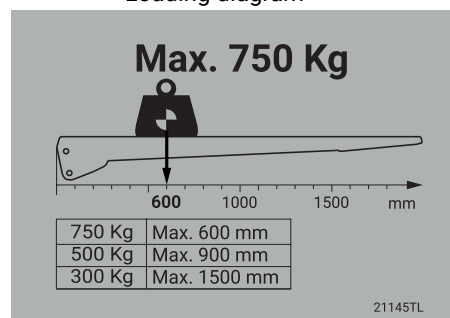
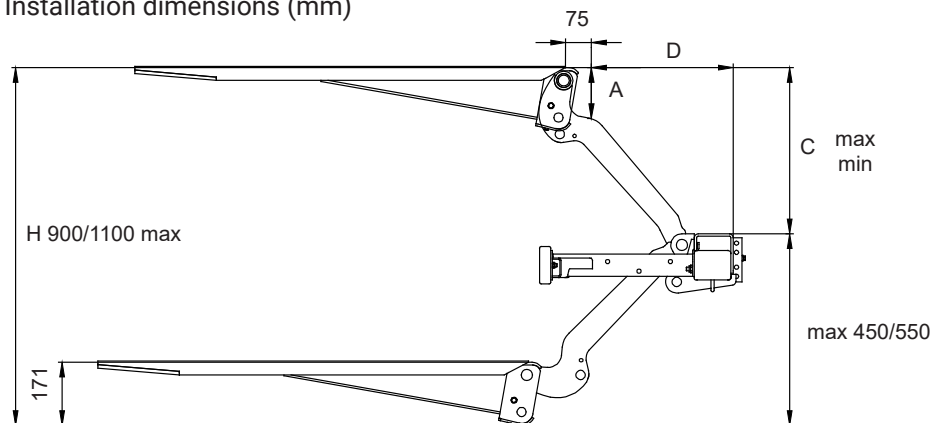


ZEPRO ZNU 75-90

Loading diagram



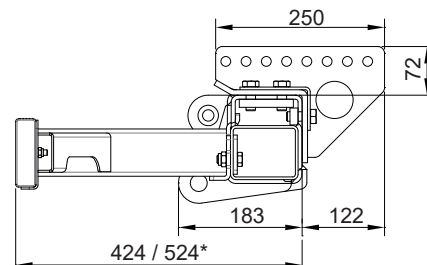
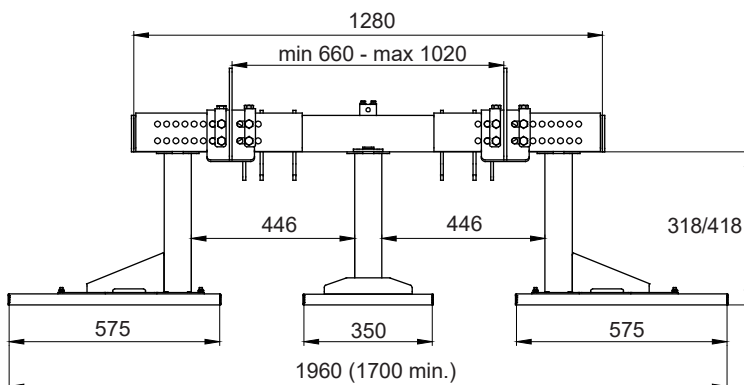
Installation dimensions (mm)



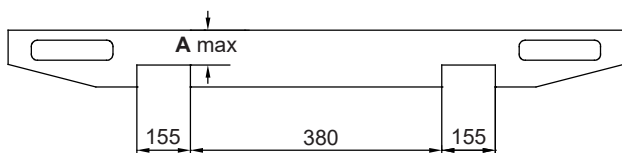
C	A	D	R58:3
450	170	384	Approved
400	154	444	
350	143	490	
310	134	526	

250	127	554	*Approved
-----	-----	-----	-----------

*Approved when installing longer underride brackets (available as an option)



*Longer underride brackets that measure 524 mm are available as an option. These are needed to achieve approved dimensions according to R58:3 if the C dimensions < 310 mm.



TD-ZEPRO-ZNU75-90-EN-EU_230929

Technical Data Sheet

2023-09-29 | zepro.com

