

Specification Sheet for Dump Over Range

Company Name: _____ Date: _____

Order Number: _____ Quantity required: _____

Deliver Lift Collect Lift from Del Delivery Date Required: _____

Delivery Address

Company Name: _____ Street Address: _____

Post Code: _____ City: _____

Vehicle Details

Is the Vehicle a Factory Body? Yes No Chassis Make & Model: _____

If **Yes**, do you require a Factory Body Bracing Kit? Yes No Bracing Kit P/N required: _____

Please see our selection of Bracing Kits below on page 3.

Chassis Mass: _____

Door type (If Barn Door, please fill in Cam Centre Dim below)

Roller Shutter Barn Doors

Cam Centres: _____ mm

Dim A (Unladen floor height): _____ mm

Dim B (Hinge point to end of body): _____ mm

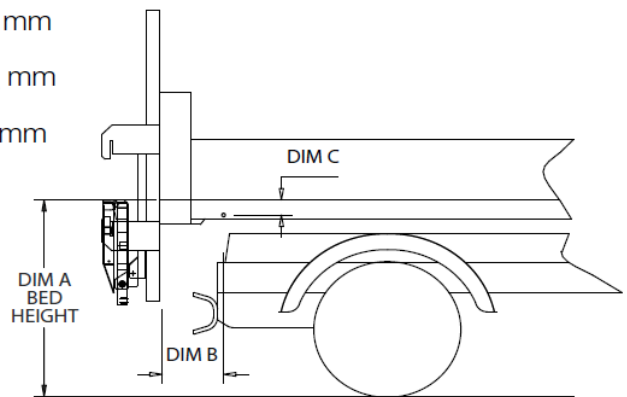
Dim C (Hinge point to bed level): _____ mm

Tip angle (if other than 45 deg): _____ deg

Vehicle voltage: 12v 24v

Overall width of body: _____ mm

Hydraulic body lock required: Yes No



Tail Lift Width required:

2010mm 2055mm 2082mm 2120mm 2181mm

2260mm 2286mm 2310mm 2388mm 2464mm

Vehicle Voltage:

If 12v setup, Heavy Duty Battery required on vehicle and in some cases, Lift may have to be reduced to 750kgs lifting capacity.

Tail Lift Details

Lift Capacity:

500kg 750kg 1000kg **(All Galvanised Finish)**

Platform Specification:

782mm flat surface + 150mm Ramp.
 983mm flat surface + 250mm Ramp inc Trolley Stops

Control Setup:

Single Fixed Control Single Detachable Wanderlead Internal Hard Wanderlead and Fixed External Control.
 Dual Fixed Controls

Tail Lift Isolator: **(Not required with Single Detachable Wanderlead)**

Cab Switch Red Key Isolator

Fence Type:

Pair of Detachable Fences Fence Socket Kit (No Fences)

Cable Options:

27' Battery Cables (Standard) 35' Battery Cables

Options:

Battery Guard Flashing Lights Left Hand Drive Two Handed Control
 Service Kit Short Column Application **(Only available on bed heights up to 1150mm)**

Extended Warranty: **(12 Month Warranty as standard)**

2 Year Warranty 3 Year Warranty 4 Year Warranty 5 Year Warranty

To be completed by DEL

Part Number of Lift: _____

Price of each Lift: _____

Bracing Kit Options for Factory Bodies: (These kits are only suitable for 500kg lifts going on 3.5t vehicles)

VEHICLE	BODY	Tail Lift recommended Width	Bracing Kit Pt No	Sales price per kit per lift
SCATTOLINI DROPSIDE KITS				
NISSAN CABSTAR	SCATTOLINI DROPSIDE	2022mm	101260	£155.00
TOYOTA DYNA	SCATTOLINI DROPSIDE	2022mm	101260	£155.00
RENAULT MASTER	SCATTOLINI DROPSIDE	2022mm	101260	£155.00
VW CRAFTER	SCATTOLINI DROPSIDE	2022mm	101260	£155.00
VAUXHALL MOVANO	SCATTOLINI DROPSIDE	2022mm	101260	£155.00
VFS SCATTOLINI DROPSIDE KITS				
FORD TRANSIT SWB	SCATTOLINI DROPSIDE (VFS BODY)	1922mm	103999	£395.00
FORD TRANSIT LWB	SCATTOLINI DROPSIDE (VFS BODY)	2022mm	103618	£395.00
VFS SCATTOLINI TIPPER KITS				
FORD TRANSIT TIPPER	SCATTOLINI TIPPER (VFS FITMENT)	2120mm	101309	£115.00
INGIMEX DROPSIDE KITS				
VW CRAFTER	INGIMEX F2 DROPSIDE	2022mm	101256	£365.00
MERCEDES SPRINTER	INGIMEX F2 DROPSIDE	2022mm	101256	£365.00
IVECO DAILY	INGIMEX F2 DROPSIDE	2022mm	101256	£365.00
CITROEN RELAY	INGIMEX F2 DROPSIDE	2022mm	101256	£365.00
VAUXHALL MOVANO	INGIMEX F2 DROPSIDE	2022mm	101256	£365.00
FORD TRANSIT TWIN WHEEL 115 T350	INGIMEX DROPSIDE JUNE 10 ONWARDS	2022mm	101851	£395.00
INGIMEX TIPPER KITS				
VW CRAFTER	INGIMEX TITAN TIPPER	2010mm	54868	£150.00
IVECO DAILY	INGIMEX TITAN TIPPER	2010mm	54868	£150.00
VAUXHALL MOVANO	INGIMEX TITAN TIPPER	2010mm	54868	£150.00
RENAULT MASTER	INGIMEX TITAN TIPPER	2010mm	54868	£150.00
FIAT DUCATO DROPSIDE KITS				
FIAT DUCATO	DROPSIDE	2022mm	103828	£395.00