



www.hiab.com
parts@waltco.com

Phone: 800.411.5685
Fax: 800.411.5684

Parts Manual

Liftgate HDC

2023-08-16

Hiab Corporate Office
Waltco Product
1777 Miller Parkway
Streetsboro, OH 44241
P: 330.633.9191
F: 330.633.1418

Spare parts book

Table of contents

Model: Z-2000-135/155 HDC

Chapter :

HDCSEALKIT Page 2

Chapter 1: Mount chassis

HDCLiftchassis Page 4

HDCMountBracke Page 6

Chapter 2: Hydraulics

HDChoses Page 8

HDCLIFTCYLINDI Page 10

HDCtiltcylinder Page 12

HDCpump&card Page 14

HDCPump Page 16

HDCvalveblock Page 18

Chapter 3: Platform

HDCPlatforms Page 20

HDCPlatformbrack Page 22

Platformwheel Page 24

Anglesensor Page 26

Chapter 4: Controls

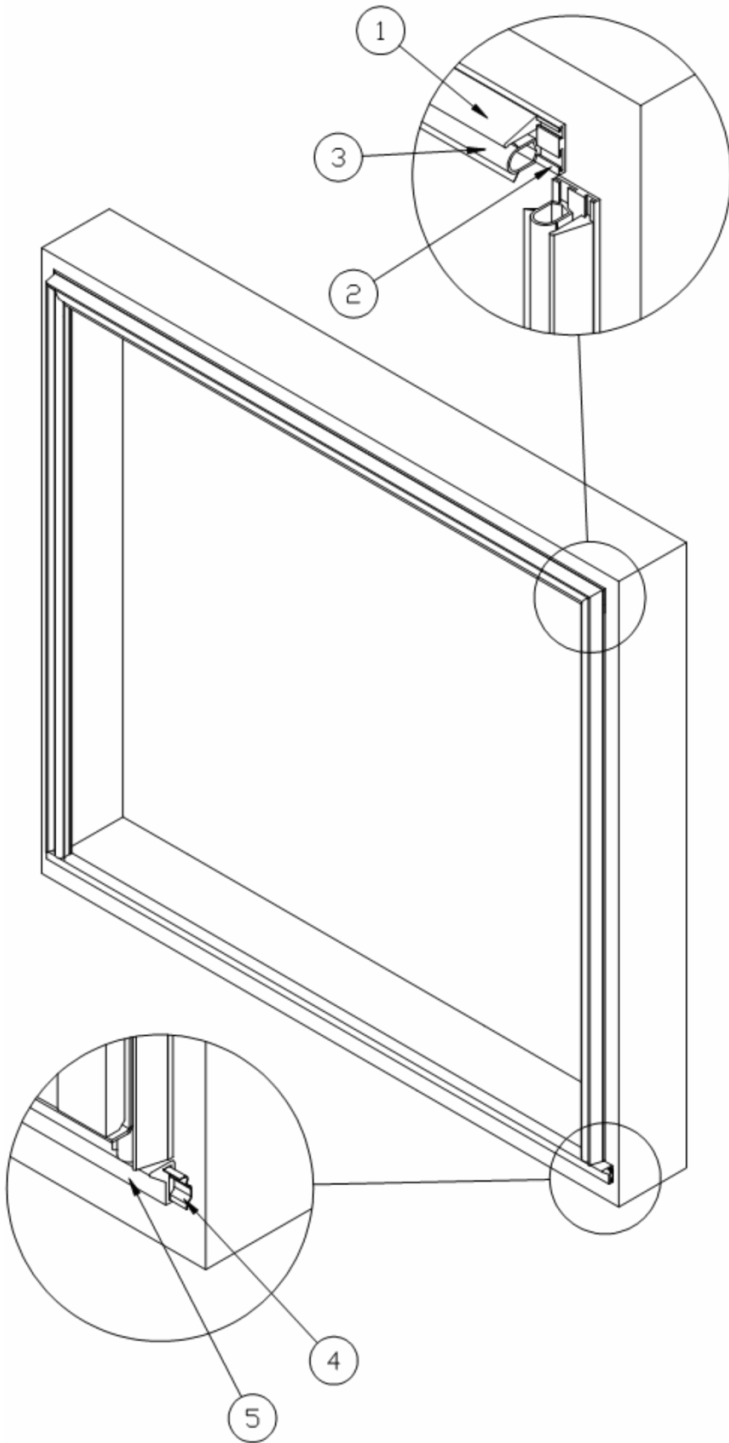
3btnmountedcontr Page 28

insidecontroller Page 30

Model: Z-2000-135/155 HDC

Chapter

HDCSEALKIT -

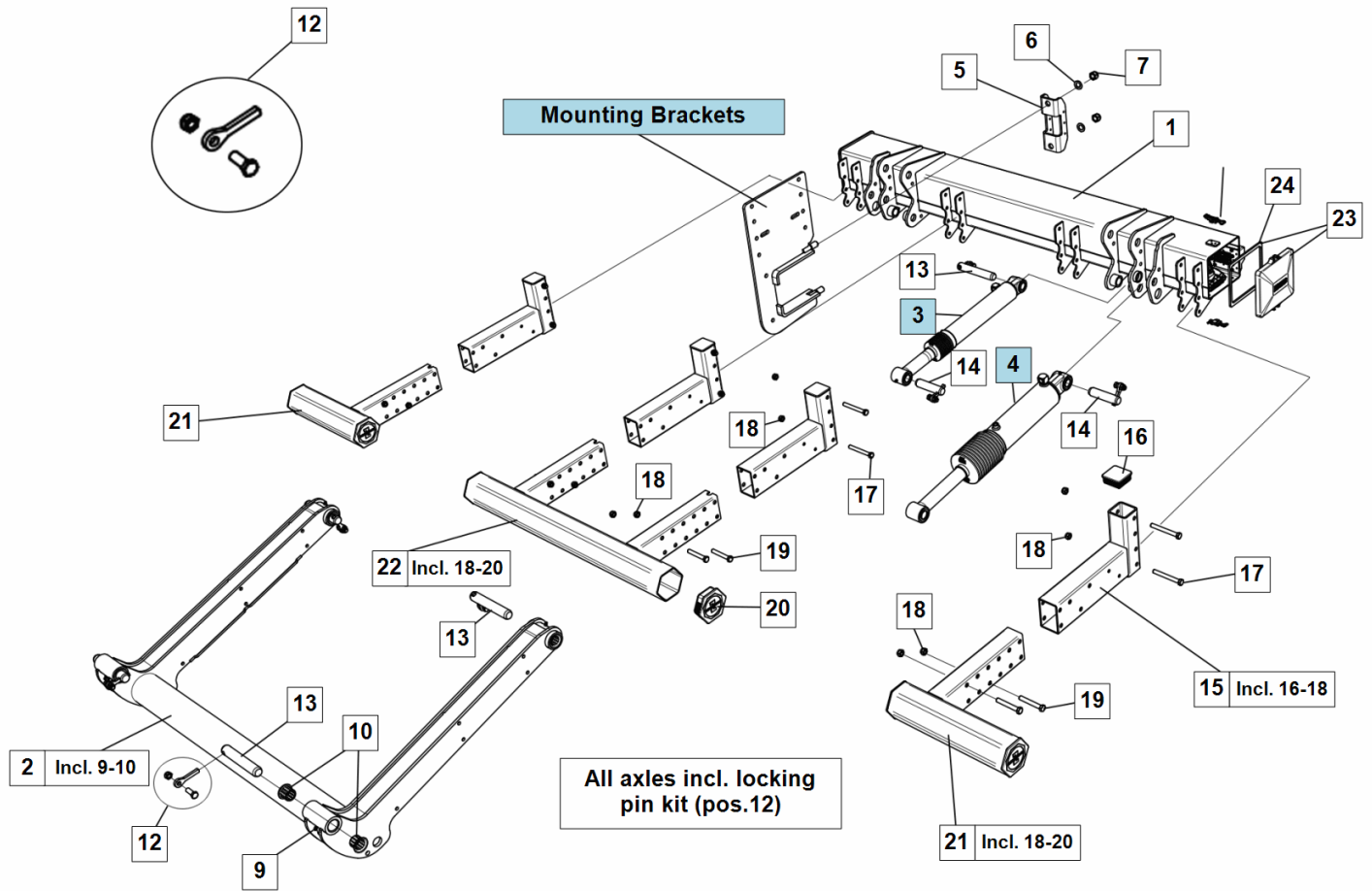


Pos	Part nr	Description	Quantity
1	75089937	RUBBER AIR FOIL	1
2	75089936	DOUBLE RAIL	1
3	75089960	RUBBER SEAL	1
4	75089911	RAIL	1
5	75089912	RUBBER SILL	1
6	80000573	HDC SEAL KIT	1

Model: Z-2000-135/155 HDC

Chapter 1 Mount chassis

HDCLiftchassis -



EM-00413

Pos	Part nr	Description	Quantity
1	77287TL	Support frame	1
2	75708TL	Lift arm (-135)	1
3	59216TL	Lift cyl. Ø55 (-135)	1
4	73183TL	Tilt cyl. Ø80 (-135)	1
5	75651TL	Bracket	1
6	21429TL	Washer 23x40x3	4
7	20171TL	Nut M22	4
10	33614TL	Bushing set	4
12	34152TL	Locking pin kit	1
13	34332TL	Axle cpl. Ø30 L=180	1
14	34335TL	Axle cpl. Ø30 L=124	1
15	33872TL	Bumper bar inner part cpl. L=430	4
16	22183TL	Plastic cover 70x70	4
17	21597TL	Screw M12x100	8
18	21664TL	Nut M12	16
19	21828TL	Screw M12x80	8
20	20281TL	Plastic cover	6
21	34112TL	Bumper bar outer part cpl.	1
22	33423TL	Bumper bar center part cpl.	1
23	75691TL	End cover cpl.	1
24	75689TL	Gasket	1

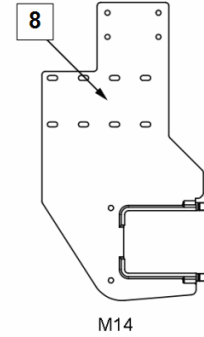
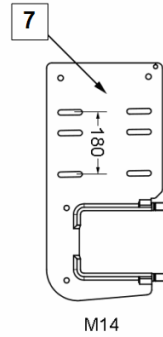
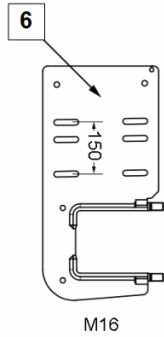
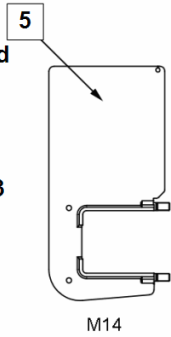
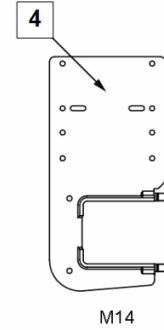
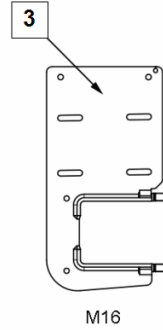
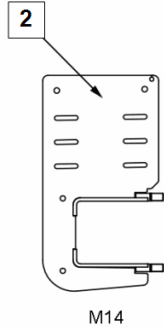
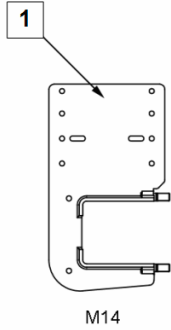
Model: Z-2000-135/155 HDC

Chapter 1

HDCMountBrackets -

In stock:
75854TL
76141TL
76143TL
76335TL

For galvanized
articles there
are 5 weeks
delivery time,
others not
stocked it is 3
weeks



9 10 11 Note! For M14: 8 pcs of screws and nuts and 10 pcs of washer for each mounting bracket.

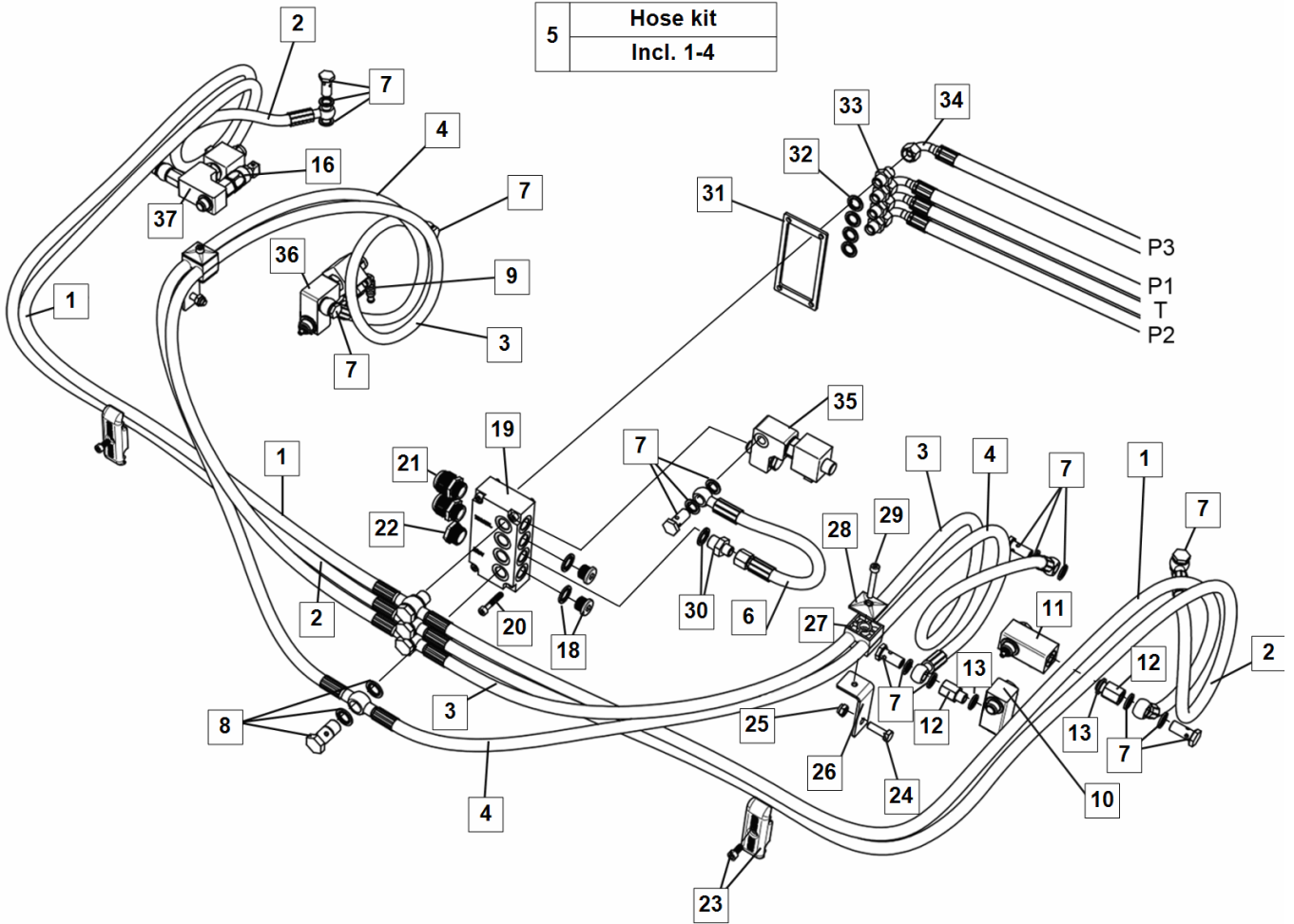
12 13 For models with M16: 8 pcs of screws and nuts for each mounting bracket.

EM-00451

Pos	Part nr	Description	Quantity
1	75854TL	Mounting bracket Standard	1
1	75855TL	Mounting bracket Hot-dip galvanized	1
1	76136TL	Mounting bracket Scania 4273	1
2	77265TL	Mounting bracket Volvo FL	1
2	77273TL	Mounting bracket Volvo FL Hot-dip galvæ	1
3	76335TL	Mounting bracket MB Atego	1
3	76336TL	Mounting bracket MB Atego Hot-dip galv	1
4	76141TL	Mounting bracket High	1
4	76142TL	Mounting bracket High Hot-dip galvanize	1
5	76143TL	Mounting bracket High without holes	1
5	76144TL	Mounting bracket High without holes Hot	1
6	76146TL	Mounting bracket MB Actros	1
6	76147TL	Mounting bracket MB Actros Hot-dip galv	1
7	77264TL	Mounting bracket Volvo FE	1
7	77272TL	Mounting bracket Volvo FE Hot-dip galvæ	1
8	76361TL	Mounting bracket Caribien	1
9	21226TL	Washer 15x26x2	10
10	21484TL	Nut M14	8
11	64556TL	Screw M14x45 10.9	8
12	22760TL	Screw M16x50	8
13	22761TL	Nut M16	8

Model: Z-2000-135/155 HDC
Chapter 2 Hydraulics

HDChoses -



EM-00549-4

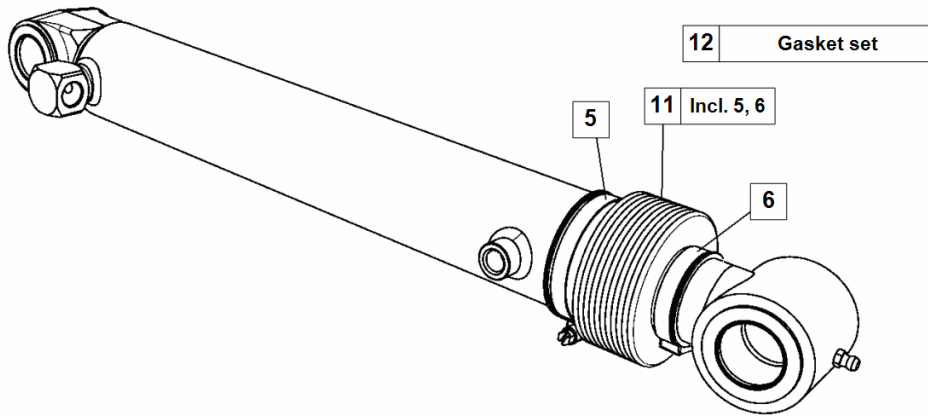
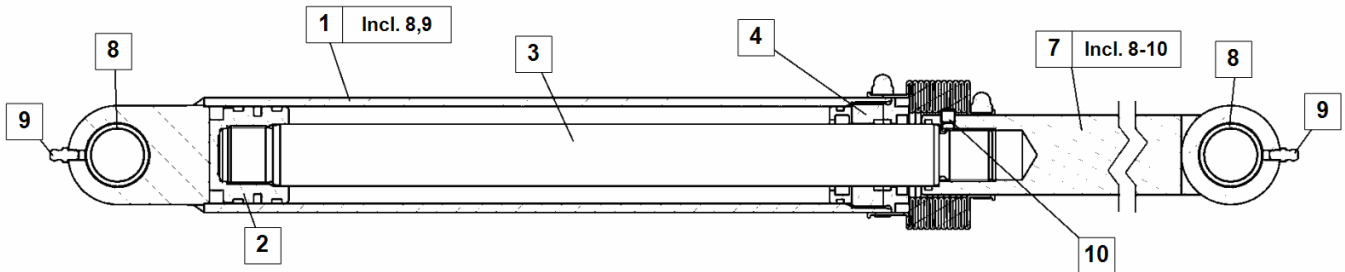
Pos	Part nr	Description	Quantity
1	22966TL	HYDR.HOSE 381-04 L=3350 / T+	1
2	22967TL	HYDR.HOSE 381-04 L=3900 / T-	1
3	22969TL	HYDR.HOSE 381-04 L=3720 / L-	1
4	22968TL	HYDR.HOSE 381-04 L=3200 / L+	1
5	34650TL	HOSE KIT Z1500/2000/2500 HOB	1
6	22887TL	HYDR.HOSE 381-04 L=300	1
7	31174TL	Swivel joint cpl. D=1/4"	9
8	32193TL	Swivel joint cpl. D=3/8"	4
9	23045TL	Pressure guard 2,5B NC AMP	1
10	54367TL	Connection adapter, lift cpl.	1
11	54368TL	Connection adapter, tilt cpl.	1
12	21796TL	Adapter 1/4"-1/4"	3
13	20942TL	Washer D=1/4"	3
16	33797TL	Pressure guard 60B incl. Cable amp. L=:	1
18	34346TL	Plug 3/8" incl. Washer	2
19	75663TL	Hydr. hose block	1
20	22880TL	Screw M6x35	4
21	21606TL	Cable seal PG 16	2
22	21608TL	Plug PG 16	1
23	34357TL	Hose clamp cpl pair	2
24	22160TL	Screw M8x25	2
25	22707TL	NUT M8 NYLOCK	2
26	77409TL	CLAMP BRACKET Z-Series	2
27	22588TL	CLAMP 21-112/12-PP PAIR	2
28	20879TL	Cover plate	2
29	22448TL	SCREW MC6S M6x45 FZB	2
30	34356TL	Adapter cpl. 3/8" - 1/4"	1
31	75680TL	Gasket	1
32	20516TL	Washer 3/8"	4
33	20498TL	Adapter 3/8"-3/8"	4
34	34358TL	Hydr. hose Ø3/8"x1700	4
35	71187TL	El safety valve 12V	1
36	54129TL	El. safety valve cpl. 12V lift	1
37	58645TL	El. safety valve cpl. 12V	1

Model: Z-2000-135/155 HDC

Chapter 2 Hydraulics

HDCLIFTCYLINDER -

EM_00143



59219

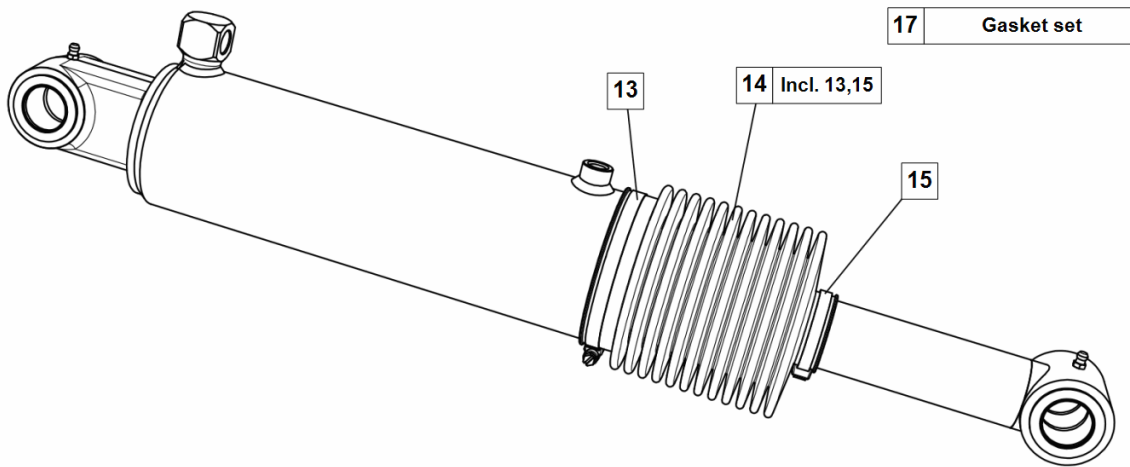
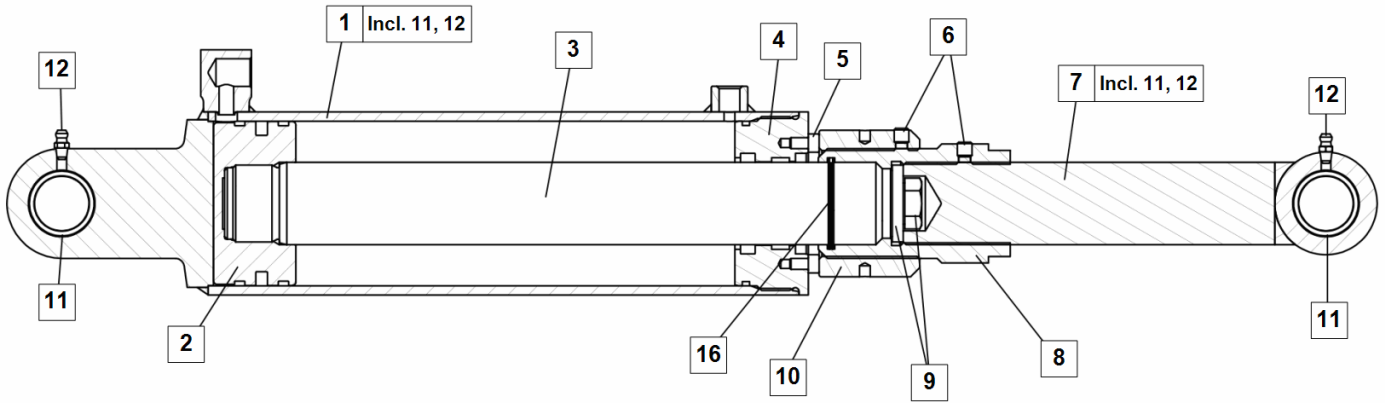
Pos	Part nr	Description	Quantity
1	33498TL	Cylinder case cpl. 65-438	1
2	57209TL	Piston D=65/40	1
3	59207TL	Piston rod 40-437 NiCr	1
4	57193TL	Cylindercover D=65/40	1
5	26609TL	Hose clamps	1
6	22000TL	Cable tie	1
7	33505TL	Pressure rod cpl. L=70	1
8	32863TL	Bushing set	2
9	21376TL	Grease nipple M6	2
10	33516TL	Stop screw	1
11	33620TL	Gaiter Ø55-70/35-45	1
12	32493TL	Gasket set D=65	1
	59219TL	Lift cyl. Ø65 (-135) Gaiter	1

Model: Z-2000-135/155 HDC

Chapter 2 Hydraulics

HDCtiltcylinder -

EM-00264



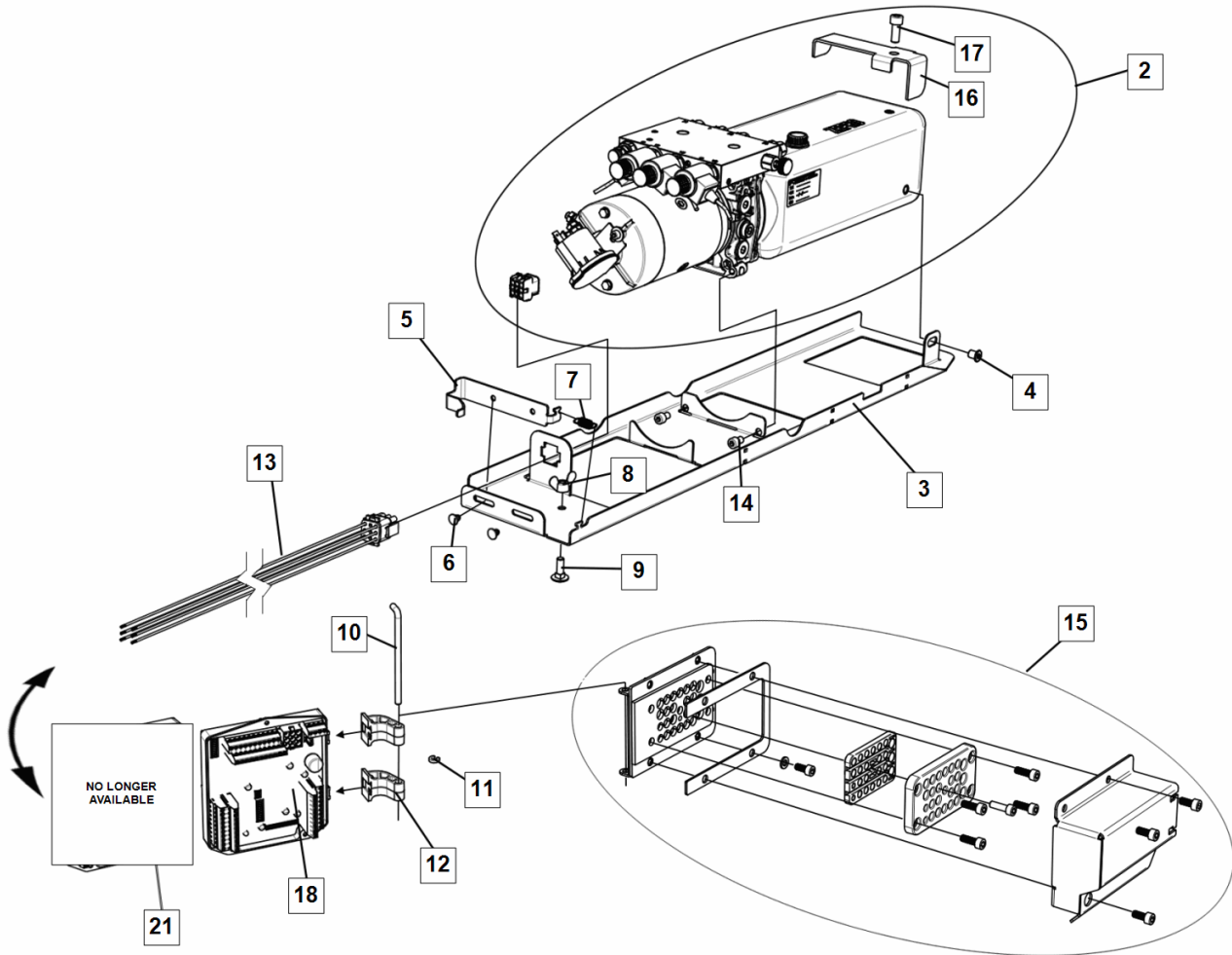
72848TL

Pos	Part nr	Description	Quantity
0	72848TL	Tilt cyl. Ø90 (-135) Gaiter	1
1	33616TL	Cylinder case cpl.	1
2	57212TL	Piston D=90/45	1
3	72847TL	Piston rod 45-365 NiCr	1
4	57198TL	Cylindercover D=90/45	1
5	33519TL	Screw M6x10	4
6	33516TL	Stop screw	4
7	33888TL	Pressure rod cpl. L=231	1
8	57251TL	Asjustable collar L=105	1
9	33517TL	Screw incl. washer	1
10	32595TL	Limit stop 80-55	1
11	32863TL	Bushing set	2
12	21376TL	Grease nipple M6	2
13	26610TL	Hose clamps	1
14	33621TL	Gaiter Ø80-90/45	1
15	22000TL	Cable tie	1
16	20767TL	O-ring	1
17	32624TL	Gasket set D=90	1

Model:Z-2000-135/155 HDC

Chapter 2 Hydraulics

HDCpump&card -



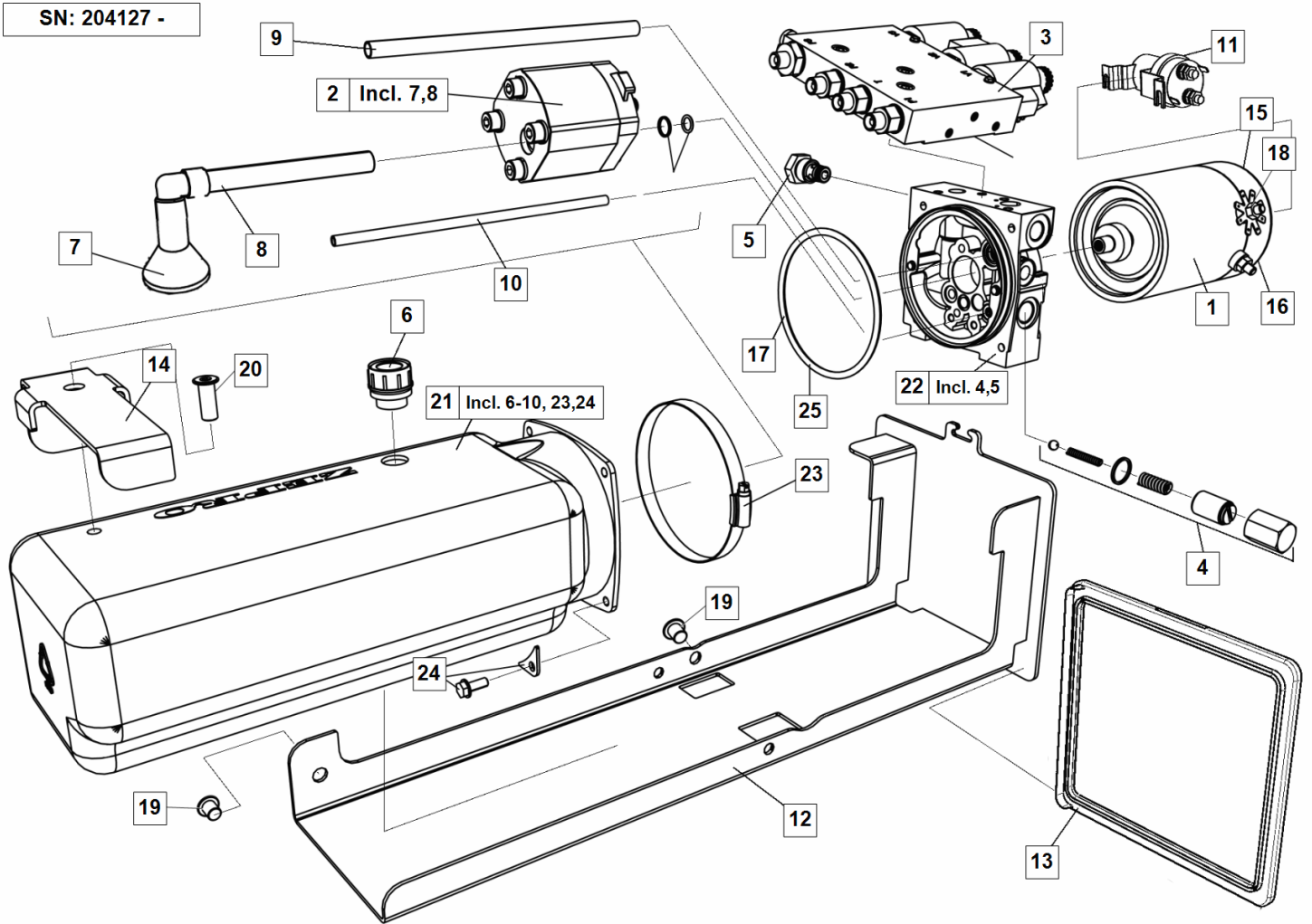
EM-00543

Pos	Part nr	Description	Quantity
1	78643FTL	COMPACT UNIT 7050 24V Z	1
1	78643TL	COMPACT UNIT 7050 24V Z	1
2	34580TL	Compact unit 9 L/M	1
3	78646TL	MOUNTING PLATE 7000 (TECFLUID)	1
4	22161TL	Screw M10x12	2
5	77202TL	Locking clip	1
6	22971TL	Plastic rivet	2
7	22973TL	Spring	1
8	22881TL	Wing nut M8	1
9	21024TL	Screw M8x25	1
10	77200TL	Locking pin for hinge	1
11	22972TL	Fixing ring	1
12	77099TL	Hinge	2
13	77203TL	Cable set cpl.	1
14	22148TL	SCREW MC6S M8x12 FZB	2
15	34359TL	MPG cpl. with cover	1
16	52035TL	Clamp	1
17	21865TL	Screw M10x25	1
18	34589TL	HDC RELAY CARD	1
21	34517TL	BZ CARD FOR AUTOTILT	1

Model: Z-2000-135/155 HDC

Chapter 2

HDCPump -



0750c

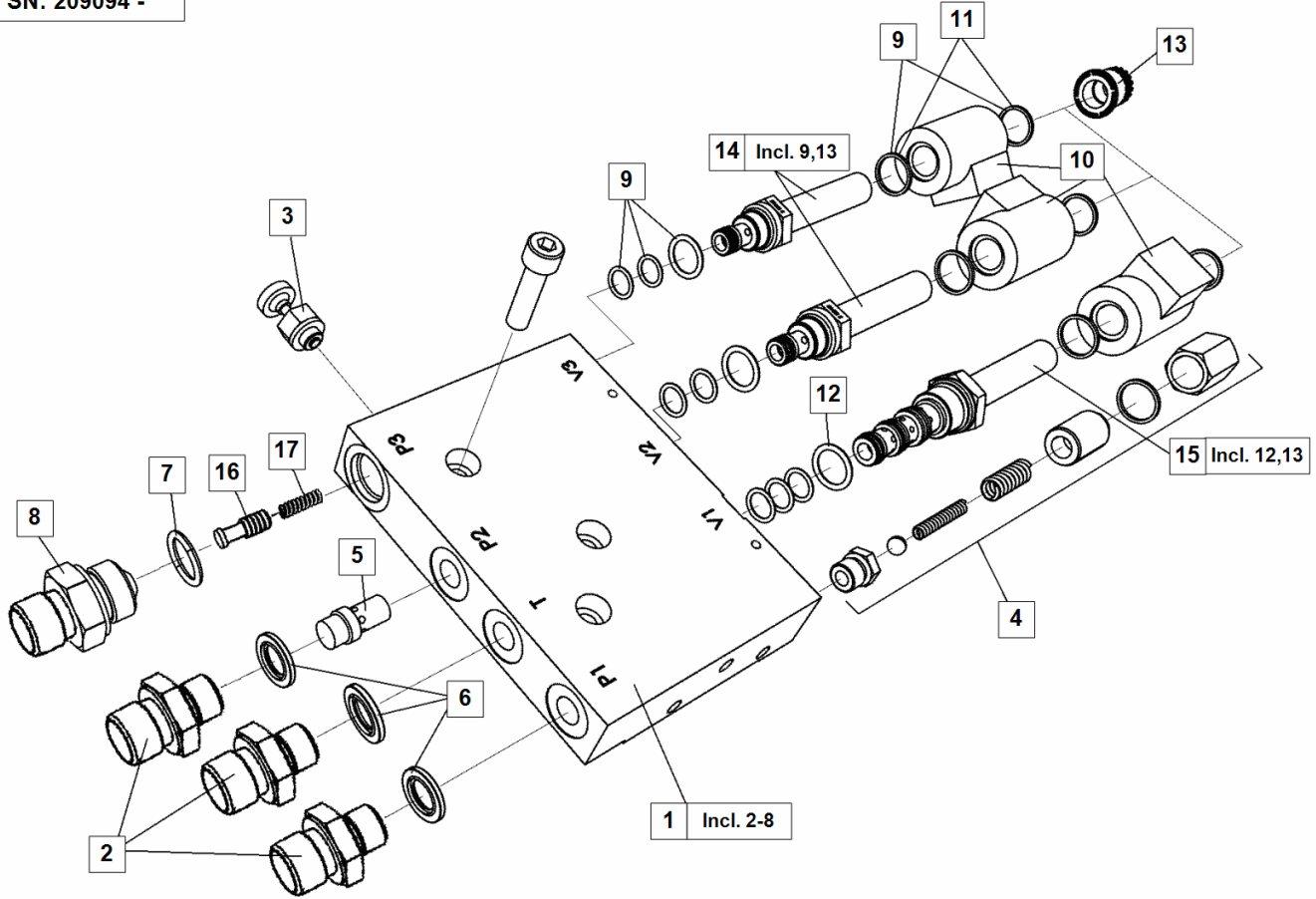
Pos	Part nr	Description	Quantity
0	32569TL	Hydr. unit 12V 200B 2,5cc	1
1	32206TL	Electric Motor 1,3 kW 12V	1
2	32204TL	Pump cpl. 2,5cc	1
3	32564TL	Valve system 12V 13 l/min	1
4	32432TL	Overflow valve 171-250B	1
5	32214TL	Reverse valve	1
6	32561TL	Filler cap	1
7	33067TL	Strainer 400μ	1
8	33070TL	Strain tube 6615, 7000	1
9	32482TL	Return tube D=10 L=300mm	1
10	32483TL	Return tube D=1/4" L=250	1
11	32797TL	Switch 12V	1
12	52038TL	Assembly plate	1
13	22434TL	SEAL HYDRAULIC UNIT 7000	1
14	52035TL	Clamp	1
15	32058TL	Carbon brush kit 12V	1
16	32060TL	Heat guard	1
17	31836TL	O-ring set cpl.	1
18	32691TL	Ground plate	1
19	22161TL	Screw M10x12	2
20	22162TL	Screw M10x25	1
21	32560TL	Plastic tank cpl.	1
22	32567TL	Adapterblock cpl. 200B	1
23	32218TL	Motor brace	1
24	33395TL	Screw incl. washer	4
25	32974TL	O-ring	1

Model: Z-2000-135/155 HDC

Chapter 2

HDCvalveblock -

SN: 209094 -



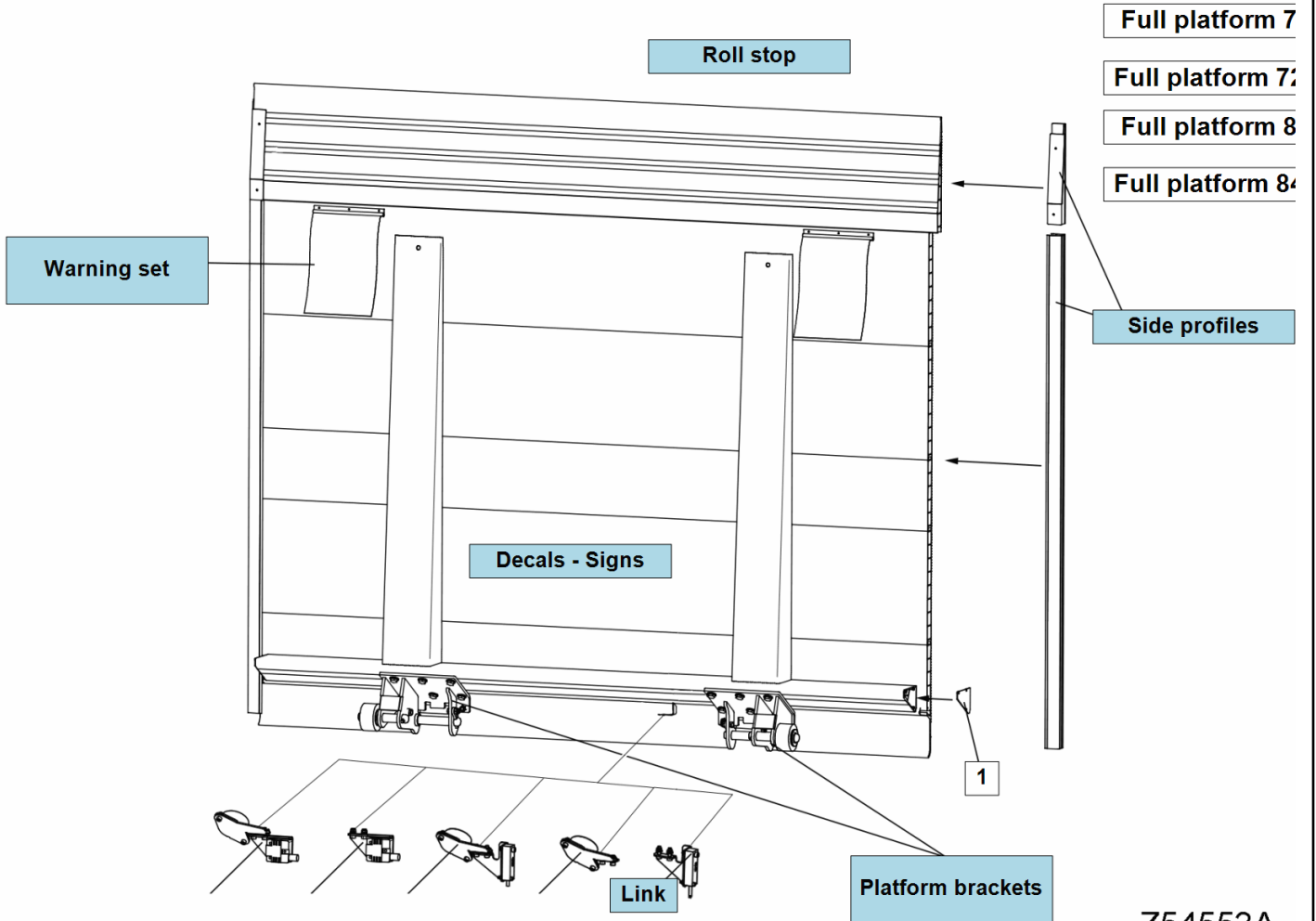
32564g

Pos	Part nr	Description	Quantity
0	32564TL	Valve system 12V 13 l/min	1
1	32534TL	Valve housing cpl. 13 l/min	1
2	53902TL	Adapter 1/4"-3/8" NV19	3
3	31850TL	Adjusting screw incl. washer	1
4	32213TL	Overflow valve 50-170B	1
5	32701TL	Constant flow valve fixed 13 l/min	1
6	20942TL	Washer D=1/4"	3
7	21877TL	O-ring 15,3x2,4	1
8	33036TL	Adapter 3/8"	1
9	33142TL	O-ring set valve 21621	2
10	22075TL	Magnet 12V	3
11	32372TL	O-ring set, magnet	3
12	32961TL	O-ring set valve 32040	1
13	32466TL	Nut for valve	2
14	21621TL	Valve VE 166.22	2
15	32040TL	Reverse valve excl. magnet	1
16	32356TL	Piston for valveblock Constant flow	1
17	32971TL	Spring for valveblock	1

Model: Z-2000-135/155 HDC

Chapter 3 Platform

HDCPlatforms -



Z54553A

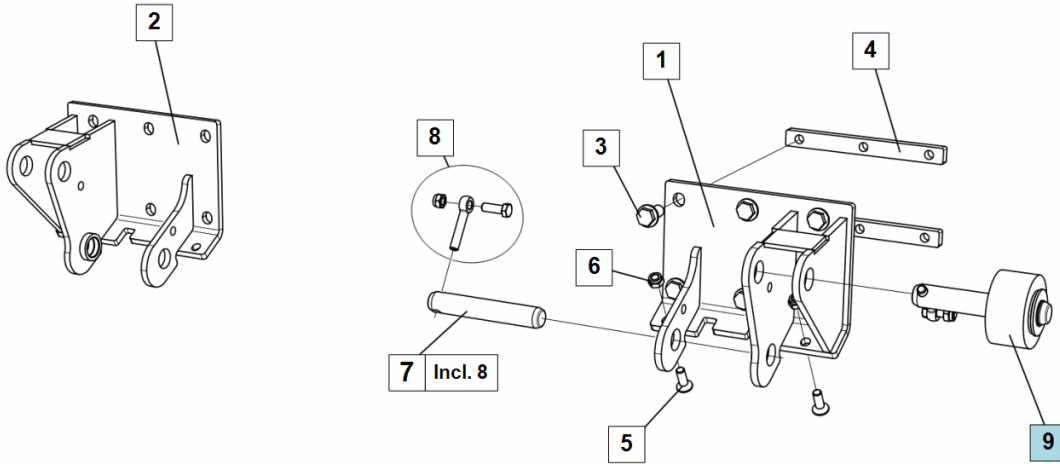
Pos	Part nr	Description	Quantity
1	34464TL	COVER PLATE AL PLATFORM	1
A	ZC138680TL	PLAT, ALUM, HDC, 72X94 C/S,LT	1
B	ZC138682TL	PLAT, ALUM, HDC, 72X100 C/S,LT	1
C	ZC138684TL	PLAT, ALUM, HDC, 84X94 C/S,LT	1
D	ZC138686TL	PLAT, ALUM, HDC, 84X100 C/S,LT	1

Model: Z-2000-135/155 HDC

Chapter 3

HDC Platformbrackets -

EM-00466



Z54555

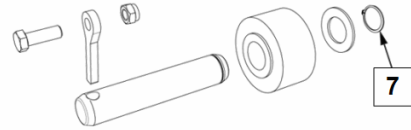
Pos	Part nr	Description	Quantity
1	75959TL	Platform bracket right	1
2	75960TL	Platform bracket left	1
3	34477TL	Screw M16x35	6
4	75973TL	Fastening plate	2
5	22491TL	Screw M12x35	2
6	21664TL	Nut M12	2
7	34332TL	Axle cpl. Ø30 L=180	1
8	34152TL	Locking pin kit	1
9	34367TL	Support wheel cpl.	1

Model: Z-2000-135/155 HDC

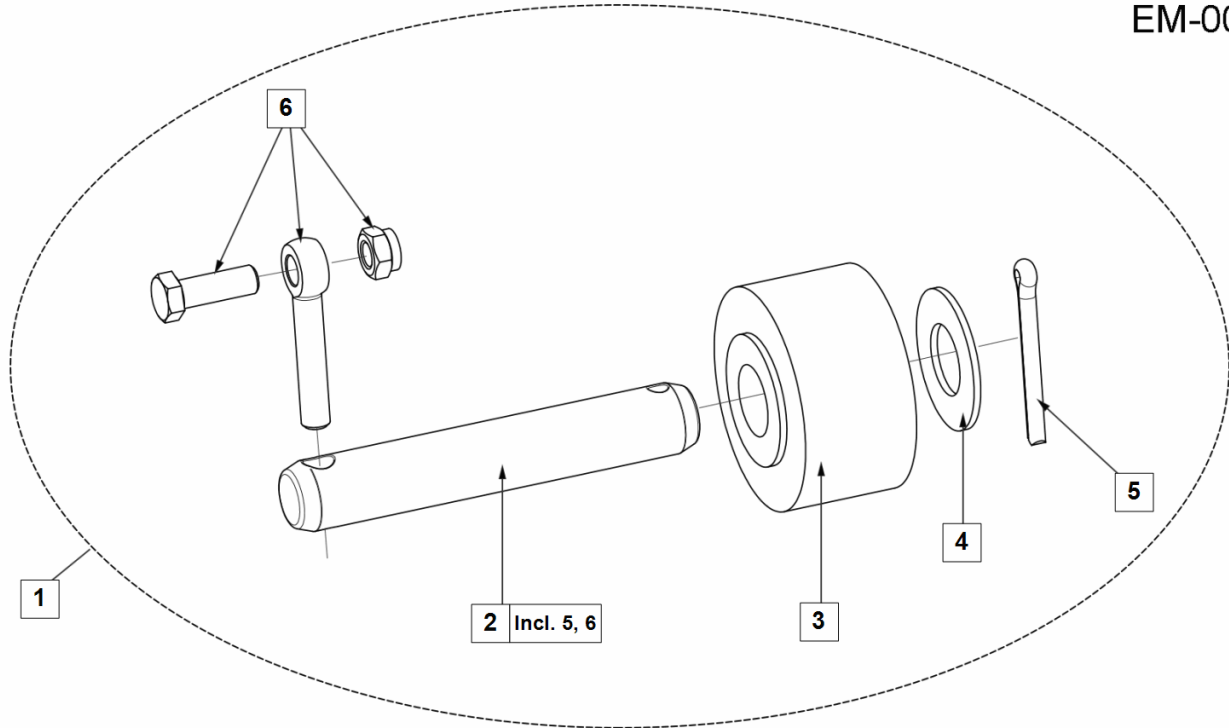
Chapter 3

Platformwheel -

Old model with snap ring



EM-00407



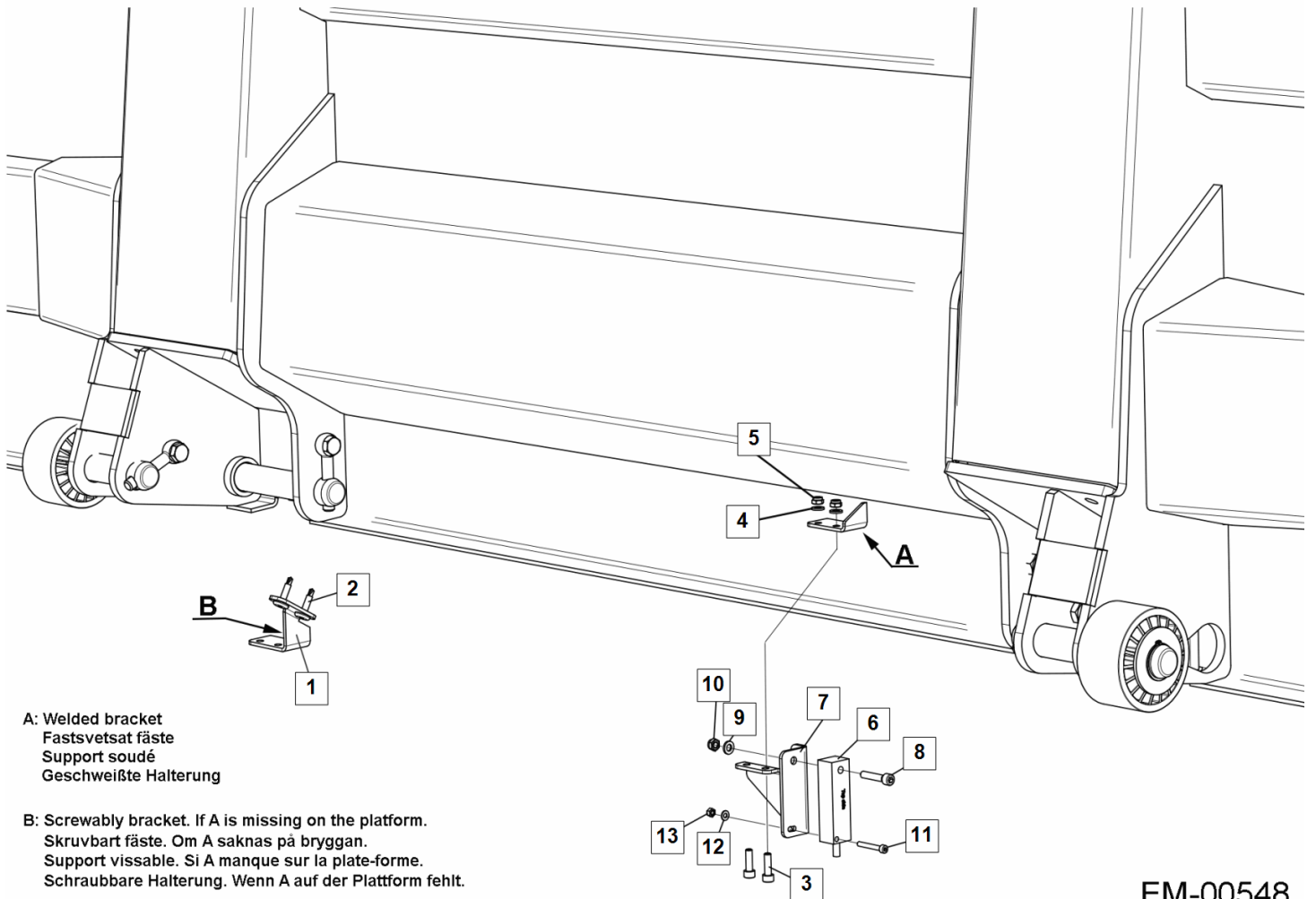
EM-00497

Pos	Part nr	Description	Quantity
1	34367TL	Support wheel cpl.	1
2	34347TL	Axle cpl. Ø30 L=180	1
3	75137TL	Support wheel	1
4	77508TL	Washer	1
5	23052TL	Split pin 8x63	1
6	34152TL	Locking pin kit	1
7	21643TL	Snap ring	1

Model: Z-2000-135/155 HDC

Chapter 3

Anglesensor -



A: Welded bracket
 Fastsvetsat fäste
 Support soudé
 Geschweißte Halterung

B: Screwably bracket. If A is missing on the platform.
 Skruvbart fäste. Om A saknas på bryggan.
 Support vissable. Si A manque sur la plate-forme.
 Schraubbare Halterung. Wenn A auf der Plattform fehlt.

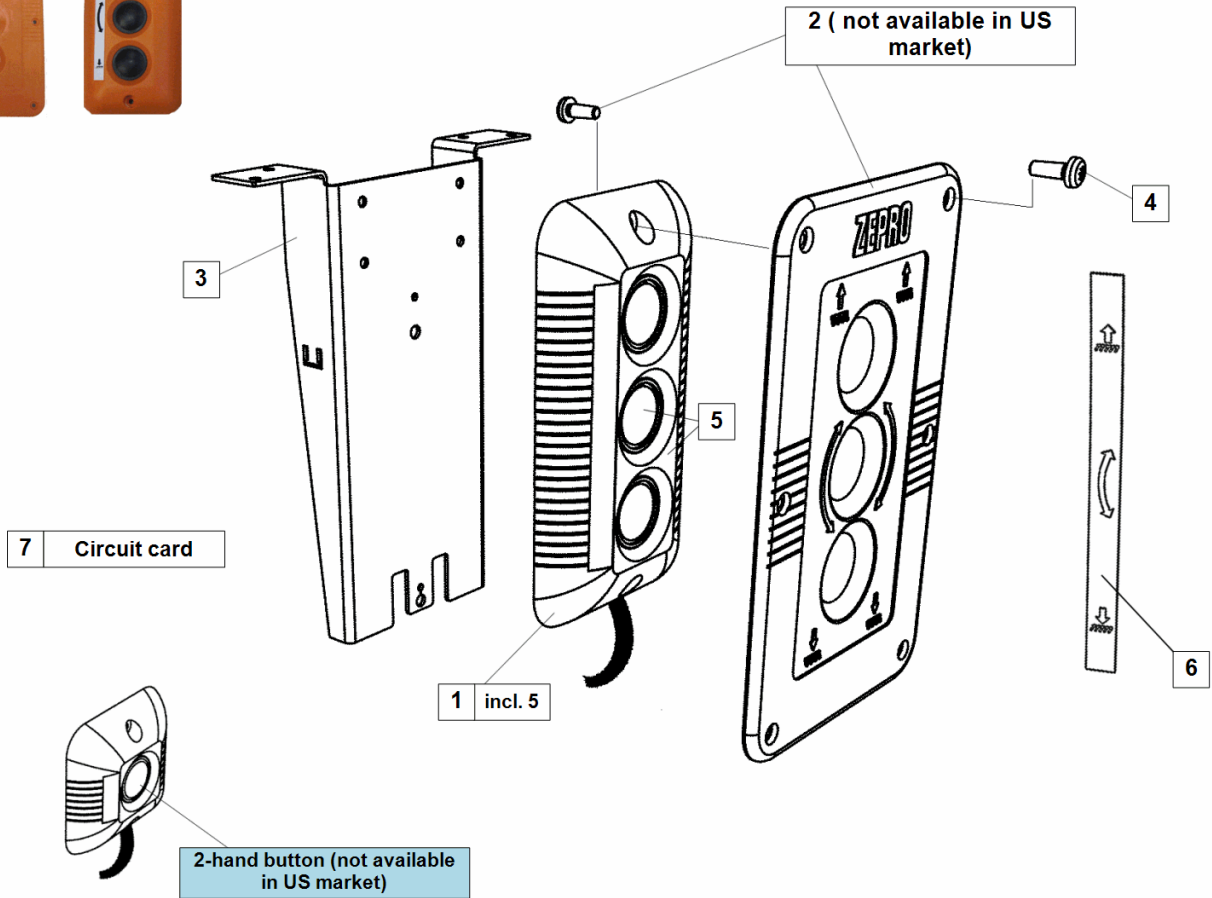
EM-00548

Pos	Part nr	Description	Quantity
1	77769TL	Screwable bracket angle sensor	1
2	75911TL	Screw, self drilling	2
3	22893TL	Screw M6x20	2
4	21550TL	Washer	2
5	20840TL	Nut M6	2
6	22617TL	Angle sensor FMI	1
7	77770TL	Bracket for angle sensor FMI	1
8	21867TL	Screw M6x30	1
9	21550TL	Washer	1
10	20840TL	Nut M6	1
11	22726TL	Screw M4x30	1
12	21530TL	Washer	1
13	21679TL	Nut M4	1

Model: Z-2000-135/155 HDC

Chapter 4 Controls

3btnmountedcontrol -



32928

Pos	Part nr	Description	Quantity
1	Z32928TL	Control unit 3-bn 12-48V	1
3	Z53782TL	Bracket f cont. unit	1
4	Z20164TL	Screw RXK 4.8 (B10) x16	6
6	Z33870TL	Sticker	1
7	Z33877TL	Circuid card for 32928	1

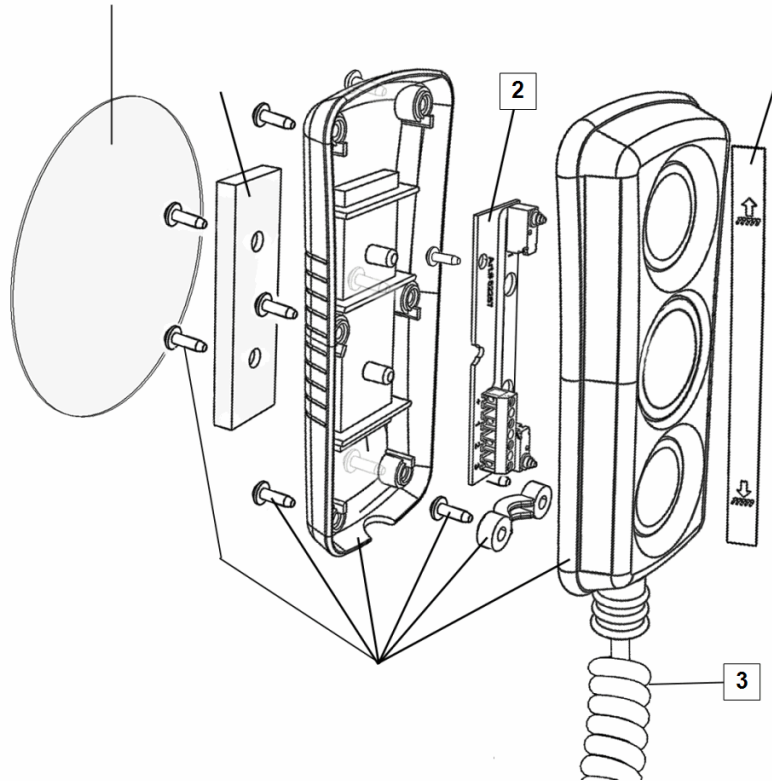
Model: Z-2000-135/155 HDC

Chapter 4 Controls

insidecontroller -



Complete unit



23042TL

Pos	Part nr	Description	Quantity
0	Z23042TL	Control unit 2-but 12-24V 5m spiral cable	1
2	33664TL	Circuit card 2-but	1
3	22272TL	Spiral cable 4x0,75 5 m + spiral	1