

# HIAB X-CLX 388 EP

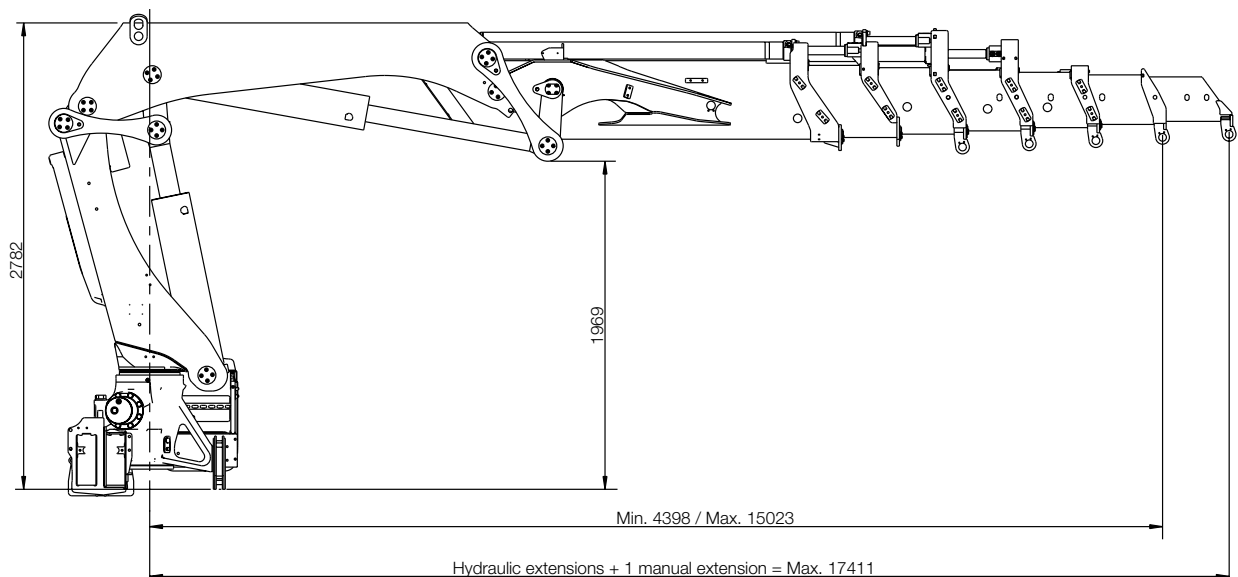


# HIAB X-CLX 388 EP BASIC DATA

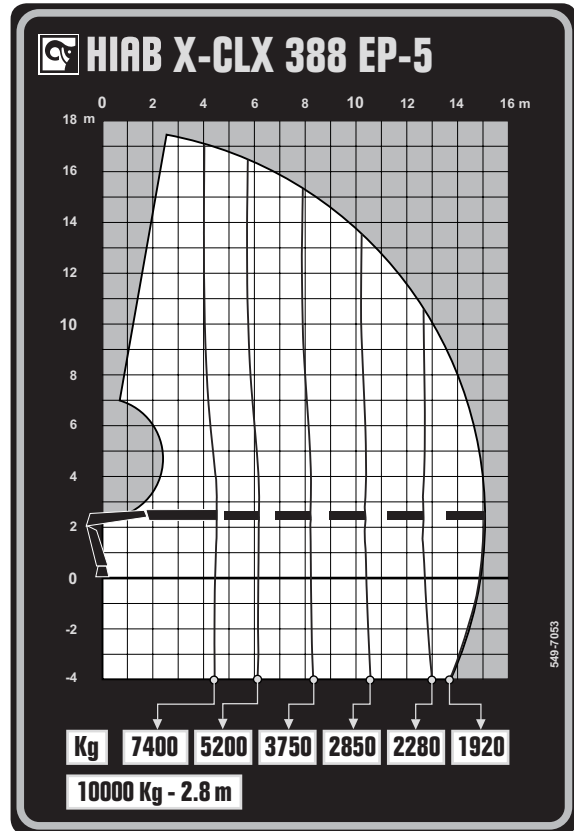
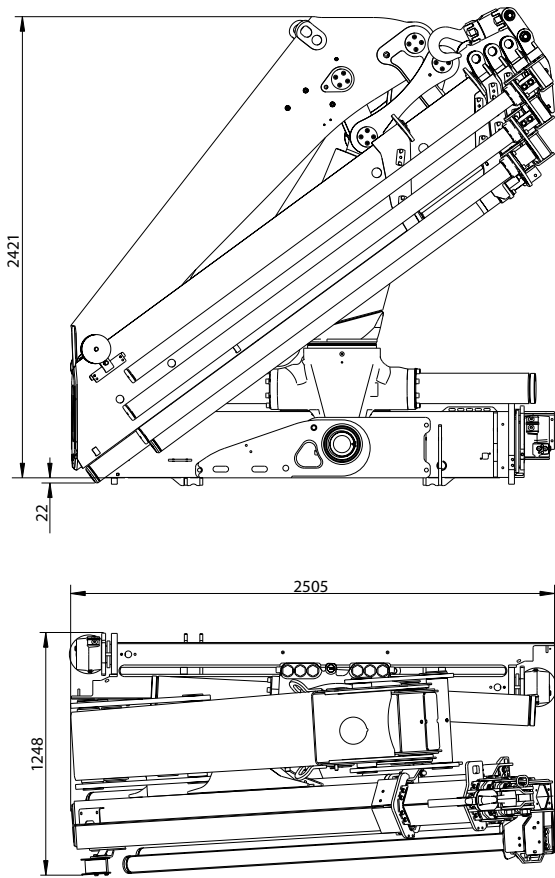
TECHNICAL DATA	X-CLX 388 EP-2	X-CLX 388 EP-3	X-CLX 388 EP-4	X-CLX 388EP-5
Mdyn	431 kNm	441 kNm	449 kNm	455 kNm
Lifting capacity (kNm)	336	330	323	319
Lifting capacity (tm)	34.3	33.7	32.9	32.5
Outreach - lifting capacity, standard (m-kg)	3.1 - 10 000 4.2 - 8 400 5.9 - 6 000 7.9 - 4 450	3.0 - 10 000 4.3 - 8 000 6.0 - 5 70 8.0 - 4 200 10.2 - 3 250	2.9 - 10 000 4.4 - 7 700 6.1 - 5 400 8.1 - 3 950 10.3 - 3 050 12.6 - 2 460	2.8 - 10 000 4.5 - 7 400 6.2 - 5 200 8.2 - 3 750 10.4 - 2 850 12.7 - 2 280 15.0 - 1 920
Outreach - lifting capacity, manual extensions (m-kg)	-	-	-	17.3 - 1 580
Hydraulic outreach, standard (m)	8.0	10.3	12.6	15.0
Hydraulic boom extension (m)	3.8	6.0	8.3	10.6
Outreach, manual extensions (m)	-	-	-	17.4
Lifting height above installation level, hydr/man (m)	10.5 / -	12.8 / -	15.1 / -	17.6 / 19.9
Rec. oil flow (l/min)	60 - 90	60 - 90	60 - 90	60 - 90
Working pressure (Mpa)	35.0	35.0	35.0	35.0
Slewing angle (°)	420	420	420	420
Max slope viable at full capacity (°)	3	3	3	3
Height in folded position (mm)	2 421	2 421	2 421	2 421
Width in folded position (mm)	2 499	2 499	2 505	2 505
Install space required (mm)	1 117	1 196	1 236	1236
Crane weight in standard version without stabiliser system (kg)	3 223	3 443	3 658	3 826
Frame attachments (kg)	69 - 89	69 - 89	69 - 89	69 - 89
Stabiliser system (kg)	506 - 621	506 - 621	506 - 621	506 - 621

This table show one example of a model, and represents some of all options available. With the opportunity to configure your crane, we can provide you with a crane perfectly tailored to your needs.

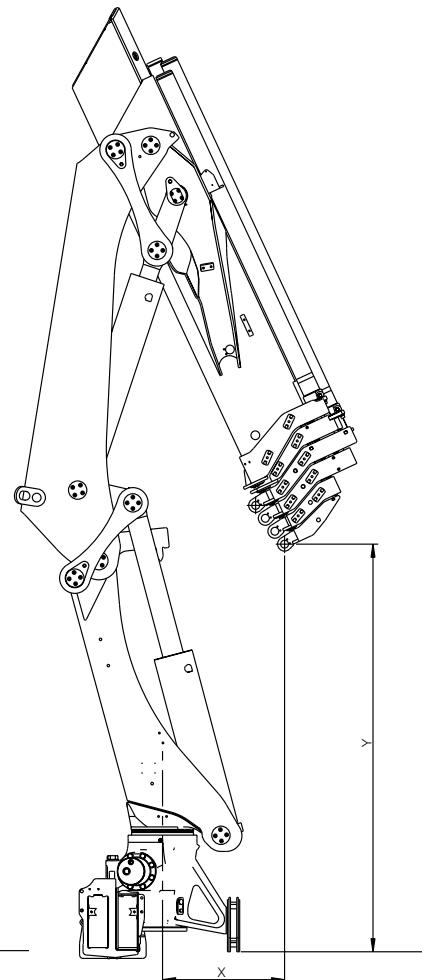
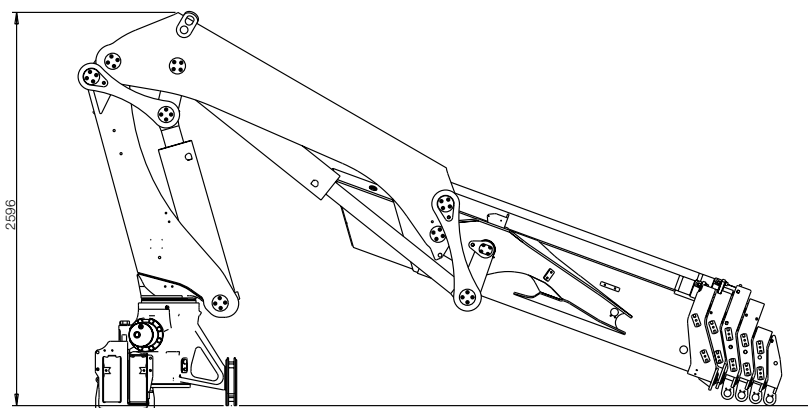
Please contact your local dealer for more information and the exact data on the variety of options we can offer.



# HIAB X-CLX 388 EP-5



X	Y
700	2 411
1 000	2 533



# BUILT TO PERFORM

Hiab is the world's leading provider of on-road load handling equipment. Customer satisfaction is the first priority for us. Hiab's product range includes HIAB loader cranes, JONSERED recycling and forestry cranes, LOGLIFT forestry cranes, MOFFETT truck mounted forklifts and MULTILIFT demountables, as well as DEL, WALTCO and ZEPRO tail lifts.

[hiab.com](http://hiab.com)

Hiab is part of Cargotec.

[cargotec.com](http://cargotec.com)



© BD-XCLX388EP-EN-WW\_171121



[hiab.com](http://hiab.com)