

HIAB X-CLX 128



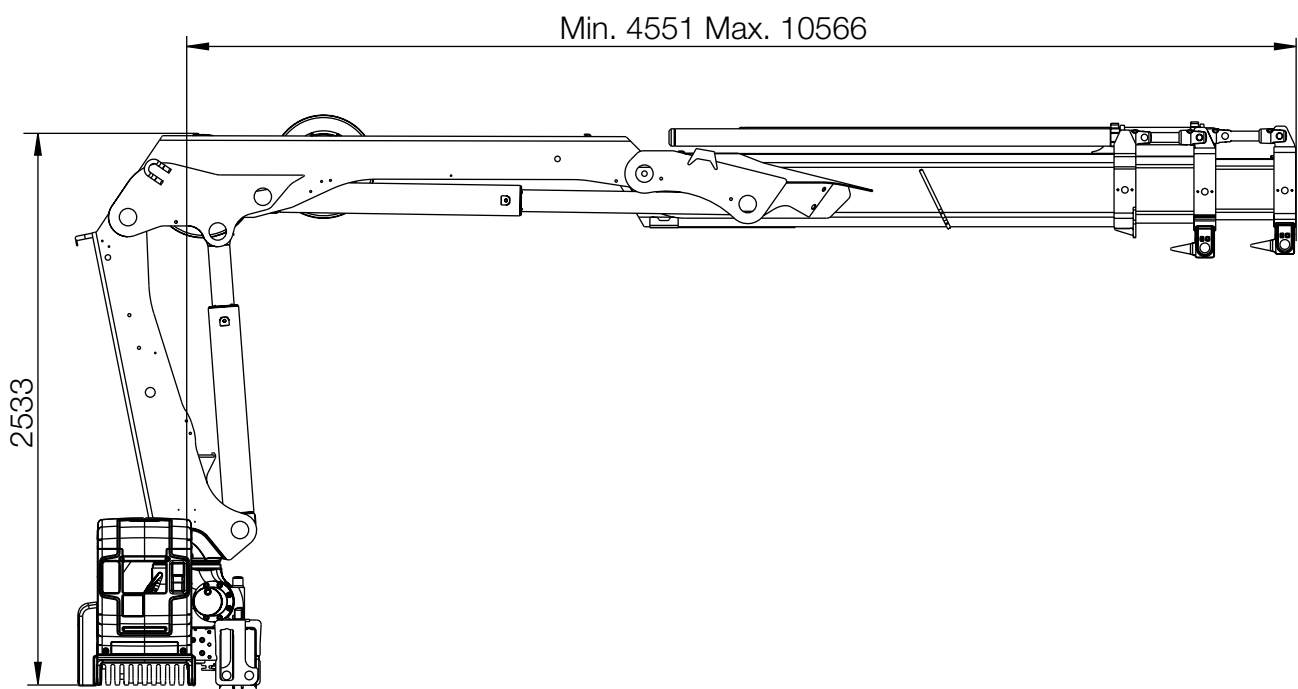
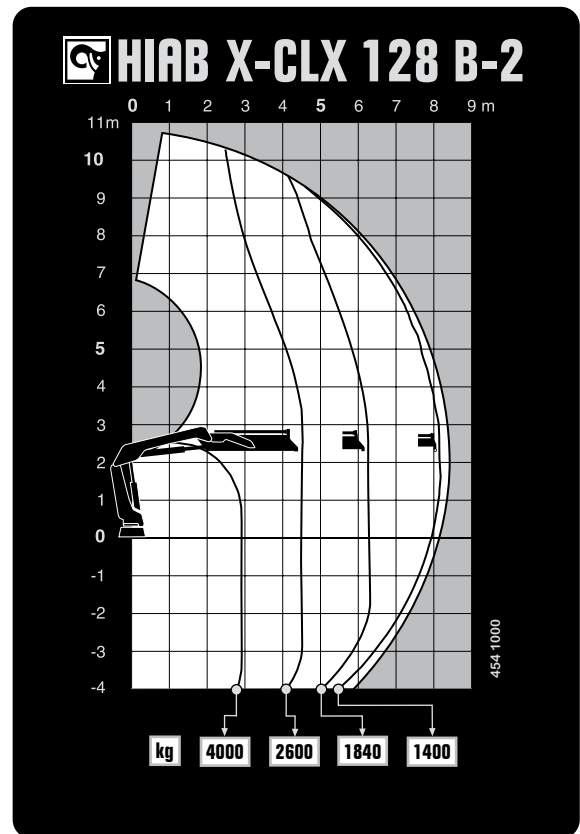
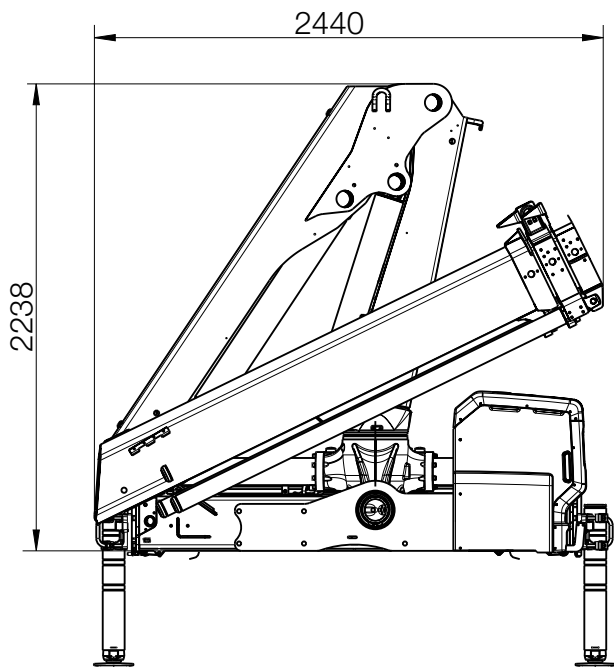
HIAB X-CLX 128 BASIC DATA

| BASIC DATA | X-CLX 128 B-1 | X-CLX 128 B-2 | X-CLX 128 B-3 | X-CLX 128 E-4 | X-CLX 128 E-5 | |
|--|---------------|---------------|---------------|---------------|---------------|------------|
| Mdyn | 152 kNm | 155 kNm | 158 kNm | 160 kNm | 162 kNm | |
| Lifting capacity (kNm) | 120 | 113 | 110 | 101 | 99 | |
| Lifting capacity (tm) | 12,2 | 11,5 | 11,2 | 10,3 | 10,1 | |
| Lifting capacity (ADC) (kNm) | 0 | 0 | 0 | 0 | 0 | |
| Lifting capacity (ADC) (tm) | 0 | 0 | 0 | 0 | 0 | |
| Outreach - lifting capacity, standard (m-kg) | 2,8 - 4 300 | 2,8 - 4 000 | 3 - 3 700 | 2,4 - 4 300 | 2,5 - 4 000 | |
| | 4,3 - 2 800 | 4,4 - 2 600 | 4,5 - 2 500 | 4,7 - 2 200 | 4,8 - 2 100 | |
| | 6,1 - 2 000 | 6,2 - 1 840 | 6,3 - 1 720 | 6,5 - 1 540 | 6,6 - 1 420 | |
| | | 8,2 - 1 400 | 8,3 - 1 280 | 8,4 - 1 120 | 8,5 - 1 020 | |
| | | | 10,3 - 1 000 | 10,5 - 860 | 10,6 - 760 | 10,7 - 700 |
| | | | | 12,7 - 700 | 12,8 - 600 | 15 - 500 |
| Outreach - lifting capacity, manual extensions (m-kg) | 8,1 - 1 420 | 10,3 - 1 040 | 12,5 - 760 | 15 - 540 | 17,3 - 390 | |
| Hydraulic outreach, standard (m) | 6,3 | 8,4 | 10,6 | 12,8 | 15,1 | |
| Hydraulic boom extension (m) | 1,9 m | 3,9 m | 5,9 m | 8,1 m | 10,3 m | |
| Outreach, manual extensions (m) | 0 | 0 | 12,8 | 17,4 | 17,4 | |
| Lifting height above installation level, hydr/man (m) | 8,7 / 15,2 | 10,8 / 15,2 | 13,0 / 15,2 | 15,2 / 19,8 | 17,5 / 19,8 | |
| Rec. oil flow (l/min) | 45 - 50 | 45 - 50 | 45 - 50 | 45 - 50 | 45 - 50 | |
| Working pressure (Mpa) | 28,1 | 28,1 | 28,1 | 28,1 | 28,1 | |
| Oil in tank (l) | 70 - 200 | 70 - 200 | 70 - 200 | 70 - 200 | 70 - 200 | |
| Tank capacity (l) | 0 - 235 | 0 - 235 | 0 - 235 | 0 - 235 | 0 - 235 | |
| Slewing angle (°) | 415 | 415 | 415 | 415 | 415 | |
| Max slope viable at full capacity (°) | 6 | 6 | 6 | 6 | 6 | |
| Slewing torque, gross (kNm) | 16,4 | 16,4 | 16,4 | 16,4 | 16,4 | |
| Slewing speed 80 (°/s) | 15 | 15 | 15 | 15 | 15 | |
| Slewing speed (°/s) | 15 | 15 | 15 | 15 | 15 | |
| Lifting speed at standard hydraulic outreach (m/s) | 1,1 | 1,4 | 1,7 | 2,1 | 2,5 | |
| Height in folded position (mm) | 2 238 | 2 238 | 2 238 | 2 261 | 2 261 | |
| Width in folded position (mm) | 2 374 | 2 440 | 2 498 | 2 479 | 2 505 | |
| Install space required with hose and pipe kit (mm) | 1 030 | 1 020 | 1 018 | 1 012 | 1 024 | |
| Crane in standard version without stabiliser system (kg) | 1 290 | 1 400 | 1 520 | 1 830 | 1 920 | |
| Frame attachments (kg) | 32 - 65 | 32 - 65 | 32 - 65 | 32 - 65 | 32 - 65 | |
| Stabiliser system (kg) | 244 - 385 | 244 - 385 | 244 - 385 | 244 - 385 | 244 - 385 | |

This table show one example of a model, and represents some of all options available. With the opportunity to configure your crane, we can provide you with a crane perfectly tailored to your needs.

Please contact your local dealer for more information and the exact data on the variety of options we can offer.

Hiab X-CLX 128 B-2



BUILT TO PERFORM

Hiab is the world's leading provider of on-road load handling equipment. Customer satisfaction is the first priority for us. Hiab's product range includes HIAB loader cranes, JONSERED recycling and forestry cranes, LOGLIFT forestry cranes, MOFFETT truck mounted forklifts and MULTILIFT demountables, as well as DEL, WALTCO and ZEPRO tail lifts.

hiab.com

Hiab is part of Cargotec.

cargotec.com



© BD-XCL-X128-EN-WW_160810



hiab.com