

HIAB X-DUO 248



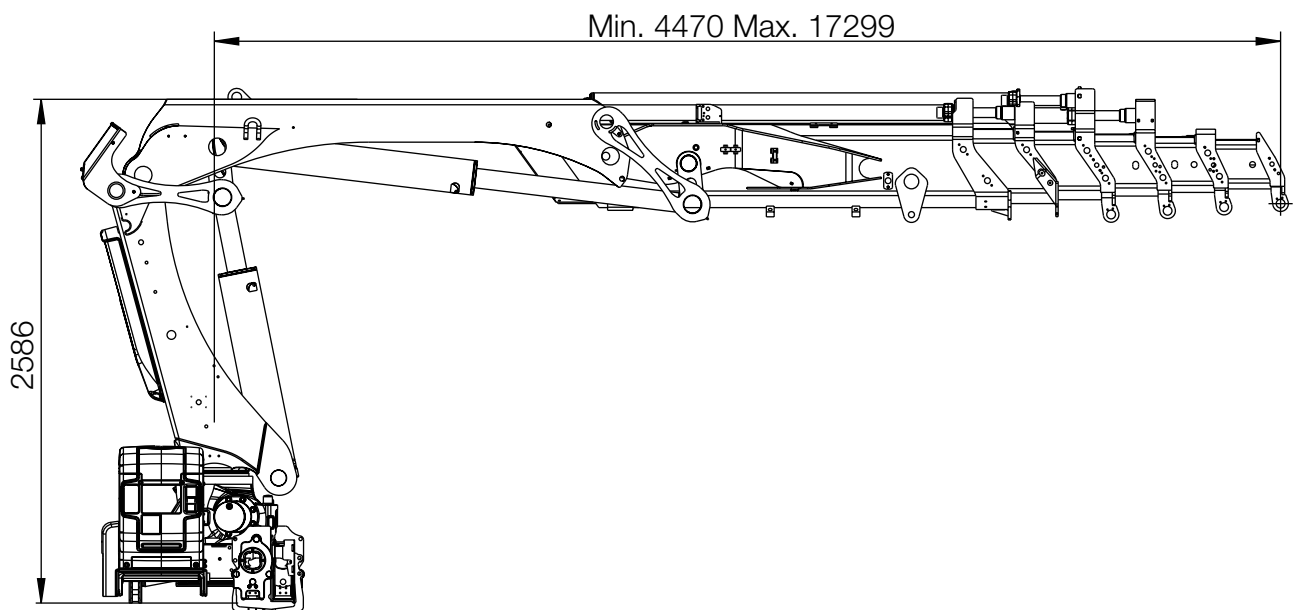
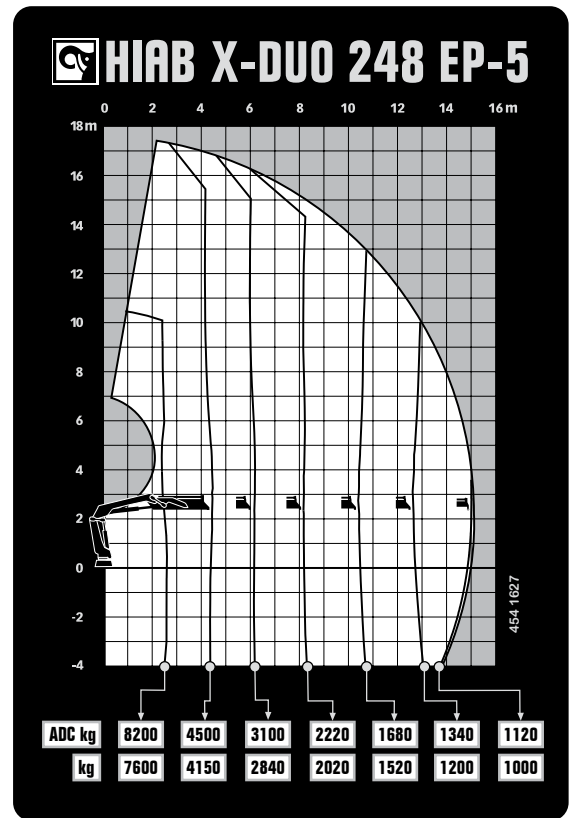
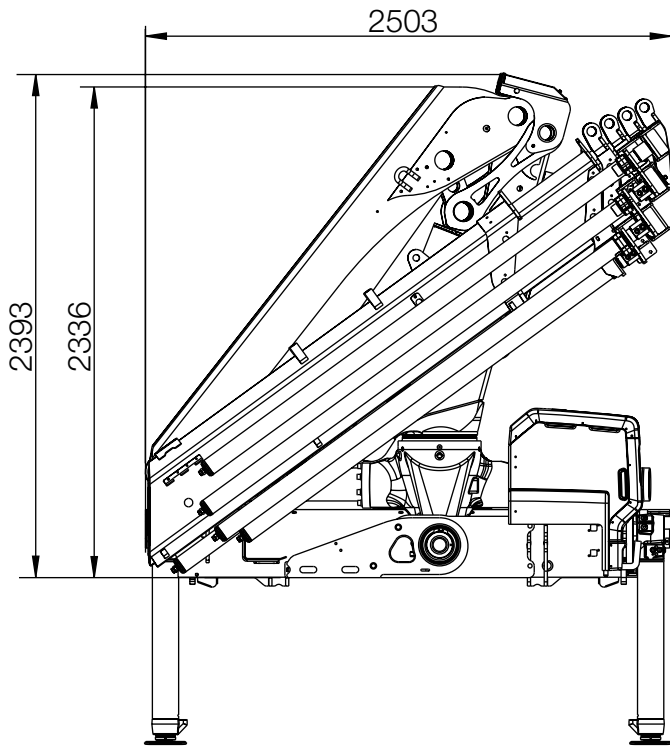
HIAB X-DUO 248 BASIC DATA

BASIC DATA	X-Duo 248 EP-2	X-Duo 248 EP-3	X-Duo 248 EP-4	X-Duo 248 EP-5
Mdyn	280 kNm	288 kNm	294 kNm	299 kNm
Lifting capacity (kNm)	198	193	187	183
Lifting capacity (tm)	20,2	19,6	19,1	18,7
Lifting capacity (ADC) (kNm)	214	208	203	199
Lifting capacity (ADC) (tm)	21,8	21,2	20,7	20,3
Outreach - lifting capacity, standard (m-kg)	2,5 - 8 400	2,5 - 8 200	2,4 - 8 400	2,4 - 8 200
	4,2 - 5 200	4,3 - 4 950	4,4 - 4 700	4,5 - 4 500
	5,9 - 3 700	6 - 3 450	6,1 - 3 250	6,2 - 3 100
	7,9 - 2 760	8 - 2 540	8,1 - 2 380	8,2 - 2 220
		10,2 - 1 980	10,3 - 1 820	10,4 - 1 680
			12,6 - 1 460	12,7 - 1 340 15 - 1 120
Outreach - lifting capacity, manual extensions (m-kg)	10,1 - 2 080	12,5 - 1 540	15 - 1 140	17,2 - 920
	12,5 - 1 620	14,9 - 1 220	17,2 - 940	
Hydraulic outreach, standard (m)	8	10,3	12,7	15,1
Hydraulic boom extension (m)	3,8 m	6,0 m	8,3 m	10,6 m
Outreach, manual extensions (m)	12,6	15	17,3	17,3
Lifting height above installation level, hydr/man (m)	10,6 / 15,2	12,9 / 17,5	15,3 / 19,9	17,7 / 19,9
Rec. oil flow (l/min)	50 - 70	50 - 70	50 - 70	50 - 70
Working pressure (Mpa)	30,5	30,5	30,5	30,5
Oil in tank (l)	150 - 200	150 - 200	150 - 200	150 - 200
Tank capacity (l)	0 - 235	0 - 235	0 - 235	0 - 235
Slewing angle (°)	410	410	410	410
Max slope viable at full capacity (°)	5	5	5	5
Slewing torque, gross (kNm)	28,3	28,3	28,3	28,3
Slewing speed 80 (°/s)	15	15	15	15
Slewing speed (°/s)	15	15	15	15
Lifting speed at standard hydraulic outreach (m/s)	1,1	1,4	1,7	2
Height in folded position (mm)	2 393	2 393	2 392	2 393
Width in folded position (mm)	2 500	2 500	2 500	2 503
Install space required with hose and pipe kit (mm)	1 195	1 185	1 259	1 209
Crane in standard version without stabiliser system (kg)	2 420	2 620	2 790	2 930
Frame attachments (kg)	56 - 63	56 - 63	56 - 63	56 - 63
Stabiliser system (kg)	381 - 465	381 - 465	381 - 465	381 - 465

This table show one example of a model, and represents some of all options available. With the opportunity to configure your crane, we can provide you with a crane perfectly tailored to your needs.

Please contact your local dealer for more information and the exact data on the variety of options we can offer.

Hiab X-DUO 248 EP-5



BUILT TO PERFORM

Hiab is the world's leading provider of on-road load handling equipment. Customer satisfaction is the first priority for us. Hiab's product range includes HIAB loader cranes, JONSERED recycling and forestry cranes, LOGLIFT forestry cranes, MOFFETT truck mounted forklifts and MULTILIFT demountables, as well as DEL, WALTCO and ZEPRO tail lifts.

hiab.com

Hiab is part of Cargotec.

cargotec.com



© BD-XDU0248-EN-WWW_160610



hiab.com