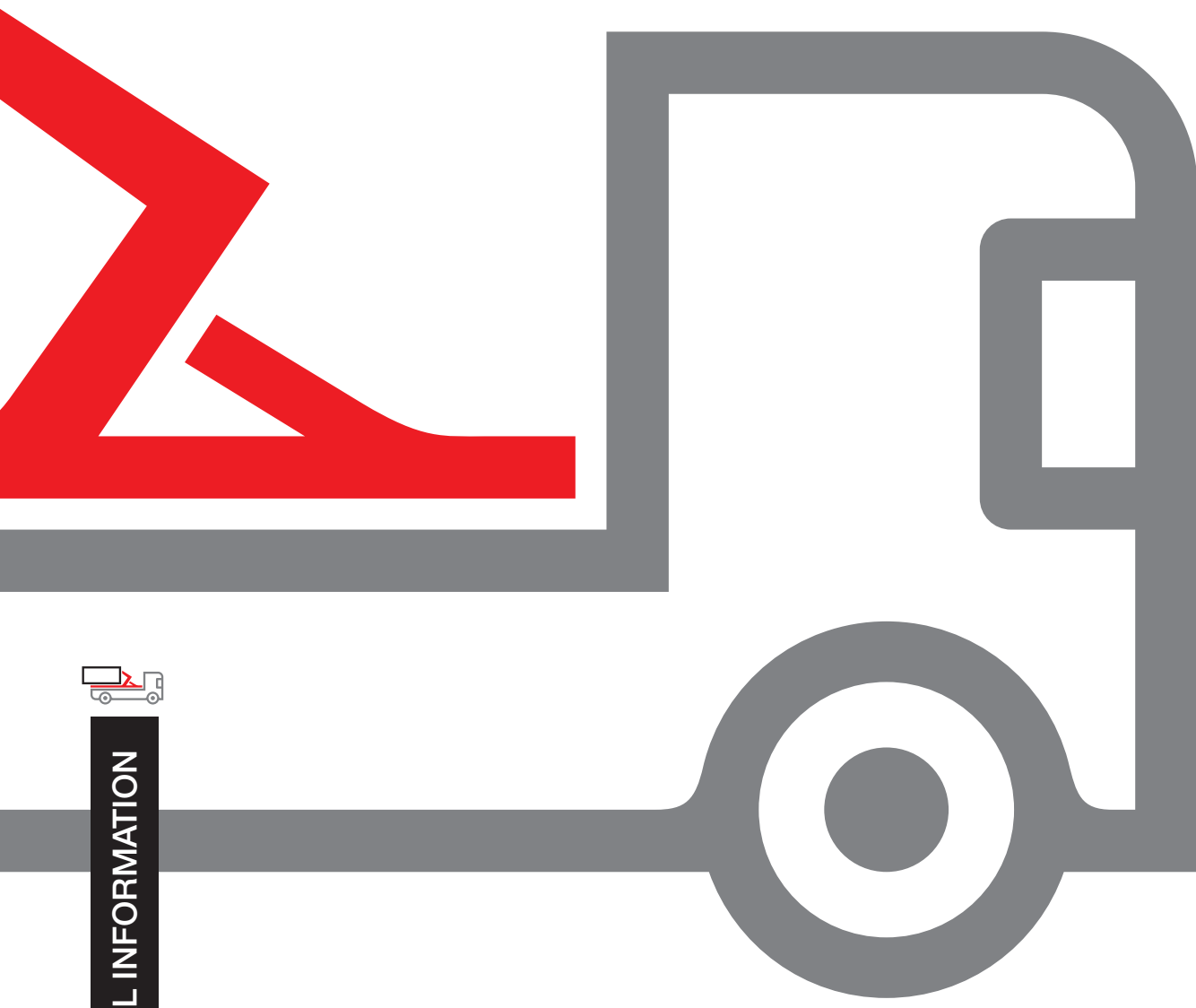


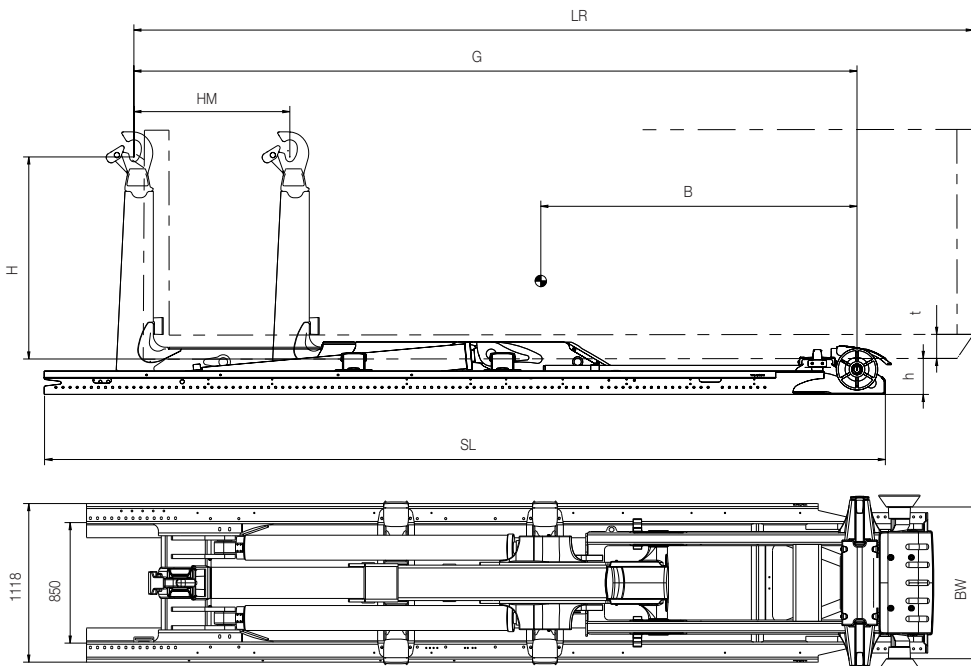
MULTILIFT ULTIMA 21



TECHNICAL INFORMATION

MULTILIFT ULTIMA 21S BASIC DATA

Type	ULTIMA 21S								
Vehicle type	3 axle								
GVW of the vehicle (t)	26								
Capacity (t)	21								
G-length	46	51	53	55	56	56S	59	61	63
System weight (kg) *	2290	2380	2470	2500	2500	2500	2530	2550	2590
Tipping angle (°)	50	49	53	49	53	49	53	49	46
Max. operating pressure (MPa)	30								
Recommended oil flow (l/min)	100								



Primary dimensions

Model	ULTIMA 21S.46	ULTIMA 21S.51	ULTIMA 21S.53	ULTIMA 21S.55	ULTIMA 21S.56	ULTIMA 21S.56S	ULTIMA 21S.59	ULTIMA 21S.61	ULTIMA 21S.63
LR = Body length (min – max) internal (m)	3,9 – 5,6	4,2 - 6,1	4,5 - 6,4	4,7 - 6,5	4,5 - 6,6	4,7 - 6,6	4,6 - 6,9	4,8 - 7,1	5,1 - 7,3
SL = Subframe length (mm)**	5333	5933	6563	6283	6563	6283	6563	6733	6883
B = Centre of gravity (mm)	2450	2700	2850	3050	2950		3000	3150	3300
G = Exact G-length (mm) ***	4580	5080	5360	5480	5560	5580	5860	6080	6310
HM = Horizontal movement (mm)	900	1100			1300	1100	1450		
h = Installation height (mm)****	250 / 270								
t = Min. Free tunnel height (body) (mm)****	105 / 125								
H = Hook height (mm)****	1400 / 1425 / 1450 / 1570 / 1575								
BW = Body width (mm)****	1070 / 1120 / 1152								

* Weight includes hydraulic body locking and excludes oil tank and oil.

** The subframe length (SL) can be reduced to achieve a final installation length. The minimum installation length depends upon country and control valve position. For an exact installation length dimension please contact your local Hiab Multilift dealer.

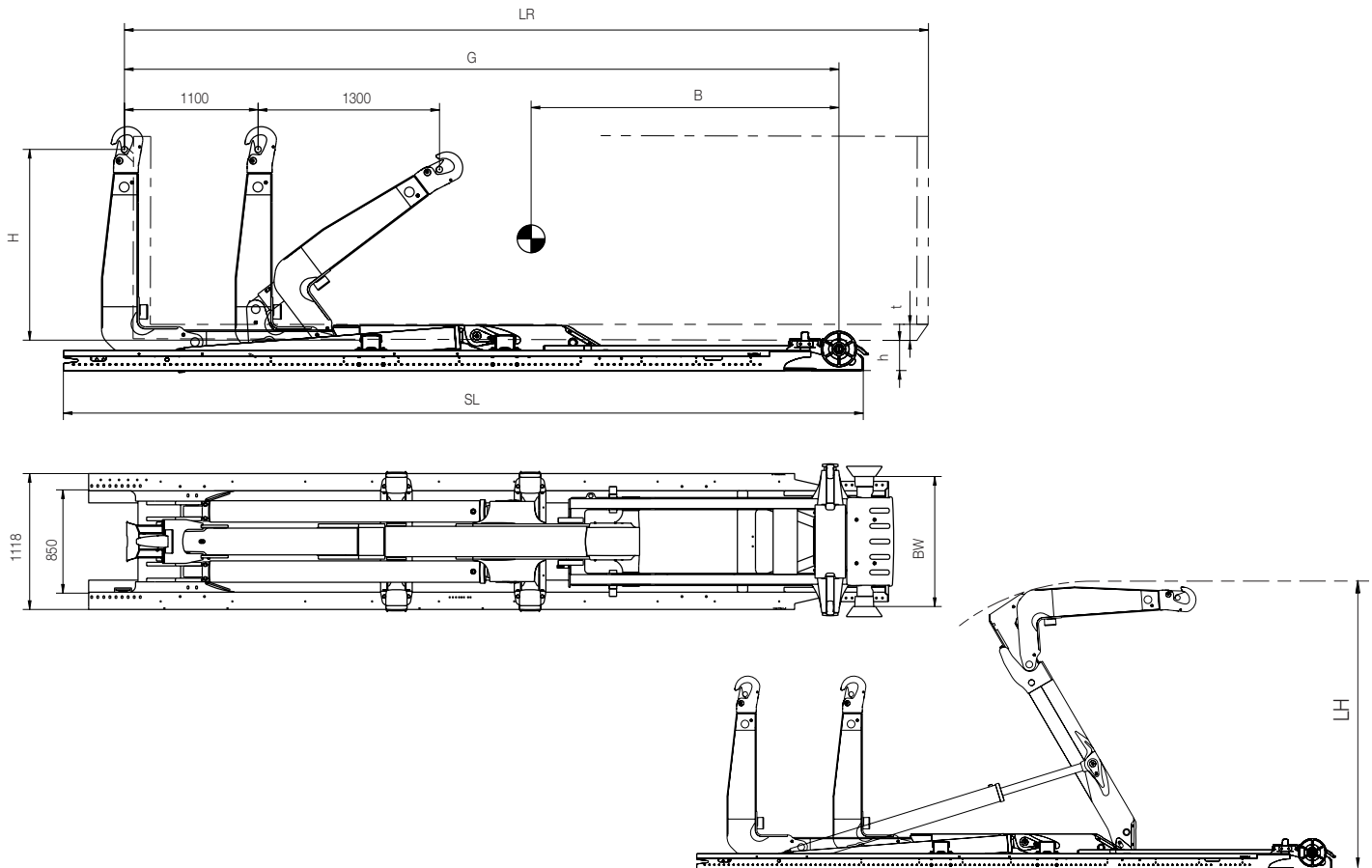
*** Exact G-Length can be +20mm/-40mm from dimension in the table depending on the hook height and body standard

**** Varies depending on country and body standard

Hiab Multilift equipments meet the demands set forth in the EU Machine Directive and they are CE marked.

MULTILIFT ULTIMA 21Z BASIC DATA

Type	ULTIMA 21Z					
Vehicle type	3 axle					
GVW of the vehicle (t)	26					
Capacity (t)	21					
G-length	51	53	55	56	59	61
System weight (kg) *	2690	2720	2770		2810	2840
Tipping angle (°)	53	49			52	49
Max. operating pressure (MPa)	30					
Recommended oil flow (l/min)	100					



Primary dimensions

Model	ULTIMA 21Z.51	ULTIMA 21Z.53	ULTIMA 21Z.55	ULTIMA 21Z.56	ULTIMA 21Z.59	ULTIMA 21Z.61
LR = Body length (min – max) internal (m)	3,0 - 6,1	3,3 - 6,3	3,5 - 6,5	3,6 - 6,6	3,8 - 7,0	4,1 - 7,1
SL = Subframe length (mm)**	5753	5983	6283		6583	6783
B = Centre of gravity (mm)	2800	2950	3050	3150	3350	3500
G = Exact G-length (mm) ***	5080	5310	5480	5610	5880	6110
LH = Min. Working height (mm)	2625	2720	2800		3066	
h = Installation height (mm)****	250 / 270					
t = Min. Free tunnel height (body) (mm)****	105 / 125					
H = Hook height (mm)****	1400 / 1425 / 1450 / 1570 / 1575					
BW = Body width (mm)****	1070 / 1120 / 1152					

* Weight includes hydraulic body locking and excludes oil tank and oil.

** The subframe length (SL) can be reduced to achieve a final installation length. The minimum installation length depends upon country and control valve position. For an exact installation length dimension please contact your local Hiab Multilift dealer.

*** Exact G-Length can be +20mm/-40mm from dimension in the table depending on the hook height and body standard

**** Varies depending on country and body standard

Hiab Multilift equipments meet the demands set forth in the EU Machine Directive and they are CE marked.

BUILT TO PERFORM

Hiab is the world's leading provider of on-road load-handling equipment, intelligent services and digitally connected solutions. Hiab's offering encompasses class-leading load handling equipment including HIAB loader cranes, LOGLIFT and JONSERED forestry and recycling cranes, MOFFETT truck-mounted forklifts, MULTILIFT demountables, and tail lifts under ZEPRO, DEL, and WALTCO brands. As the industry pioneer, our commitment is to increase efficiency in our customers' businesses and to shape the future of intelligent load handling.

hiab.com

Hiab is part of Cargotec Corporation.

cargotec.com

Disclaimer. We reserve the right to make changes. Illustrations, drawings and data are not always in accordance with the latest version or standard model in production. The models in the pictures may present special equipment or colours.

hiab.com



MULTILIFT