

# HIAB X-HIDUO 188



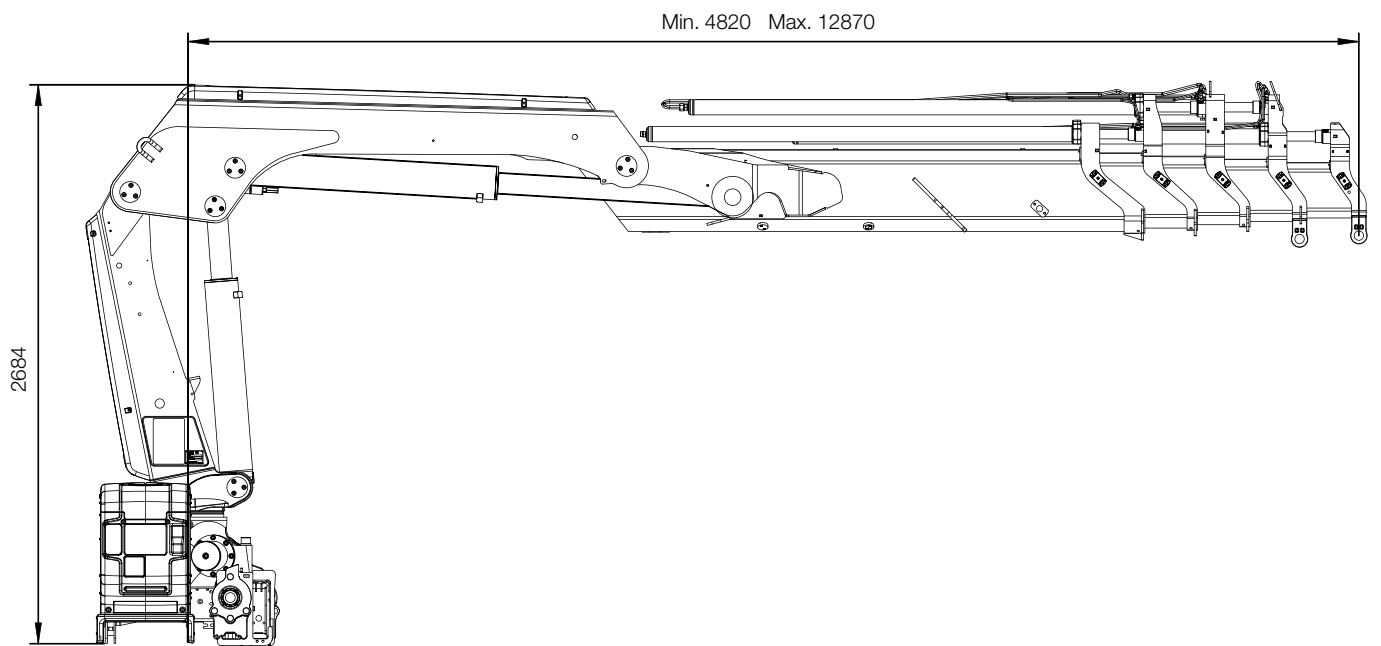
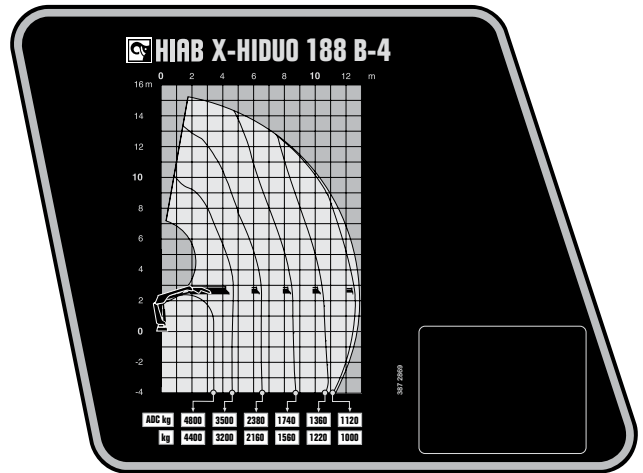
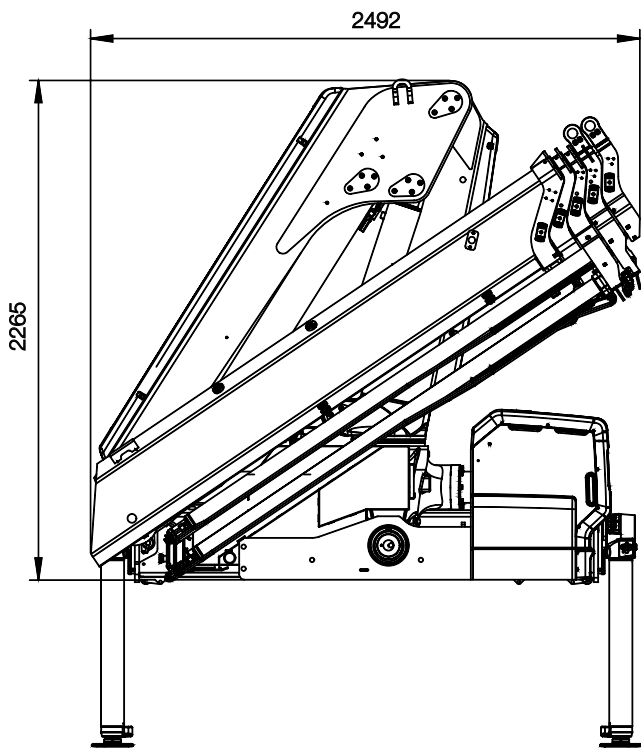
# HIAB X-HIDUO 188 BASIC DATA

TECHNICAL DATA	HIAB X-HIDUO 188 B-4	HIAB X-HIDUO 188 BS-2	HIAB X-HIDUO 188 E-5	HIAB X-HIDUO 188 E-6
Mdyn	210 kNm	207 kNm	215 kNm	216 kNm
Lifting capacity (kNm)	146	155	141	138
Lifting capacity (tm)	14,9	15,9	14,3	14
Lifting capacity (ADC) (kNm)	160	169	155	151
Lifting capacity (ADC) (tm)	16,3	17,3	15,8	15,4
Outreach - lifting capacity, standard (m-kg)	3,4 - 4 800	3,4 - 5 100	3,2 - 4 900	3,3 - 4 650
	4,6 - 3 500	4,3 - 4 000	4,9 - 3 200	5 - 3 050
	6,4 - 2 380	6,1 - 2 800	6,7 - 2 180	6,8 - 2 040
	8,4 - 1 740	8,1 - 2 100	8,7 - 1 560	8,8 - 1 440
	10,4 - 1 360		10,7 - 1 200	10,8 - 1 080
	12,5 - 1 120		12,8 - 970	12,9 - 850
			15 - 810	15,1 - 700
			17,4 - 590	
Outreach - lifting capacity, manual extensions (m-kg)	14,8 - 880	10,2 - 1 580	17,4 - 450	19,2 - 280
Hydraulic outreach, standard (m)	12,9	8,3	15,2	17,5
Hydraulic boom extension (m)	8,1 m	3,9 m	10,3 m	12,6 m
Outreach, manual extensions (m)	15,2	10,5	17,5	19,3
Lifting height above installation level, hydr/man (m)	15,3 / 17,6	10,8 / 12,9	17,6 / 20,0	20,0 / 21,9
Rec. oil flow (l/min)	55 - 65	55 - 65	55 - 65	55 - 65
Working pressure (Mpa)	32,9	32,9	32,9	32,9
Oil in tank (l)	0 - 200	100 - 200	100 - 200	92 - 200
Tank capacity (l)	0 - 235	0 - 235	0 - 235	0 - 235
Slewing angle (°)	190 - 415	190 - 415	190 - 415	190 - 415
Max slope viable at full capacity (°)	6	6	6	6
Slewing torque, gross (kNm)	28,3	28,3	28,3	28,3
Slewing speed 80 (°/s)	15	15	15	15
Slewing speed (°/s)	15	15	15	15
Lifting speed at standard hydraulic outreach (m/s)	2,2	1,4	2,6	3
Height in folded position (mm)	2 265	2 265	2 260	2 265
Width in folded position (mm)	2 492	2 485	2 496	2 496
Install space required with hose and pipe kit (mm)	1 146	1 145	1 042	1 002
Crane in standard version without support legs (kg)	2 135	1 825	2 395	2 515
Frame attachments (kg)	40 - 65	40 - 65	40 - 65	40 - 65
Support leg equipment (kg)	271 - 428	271 - 428	271 - 428	271 - 428

This table shows one example of a model, and represents some of all options available. With the opportunity to configure your crane, we can provide you with a crane perfectly tailored to your needs.

Please contact your local dealer for more information and the exact data on the variety of options we can offer.

# HIAB X-HIDUO 188 B-4



# BUILT TO PERFORM

Hiab is the world's leading provider of on-road load handling equipment. Customer satisfaction is the first priority for us. Hiab's product range includes HIAB loader cranes, JONSERED recycling and forestry cranes, LOGLIFT forestry cranes, MOFFETT truck mounted forklifts and MULTILIFT demountables, as well as DEL, WALTCO and ZEPRO tail lifts.

[hiab.com](http://hiab.com)

Hiab is part of Cargotec.

[cargotec.com](http://cargotec.com)

