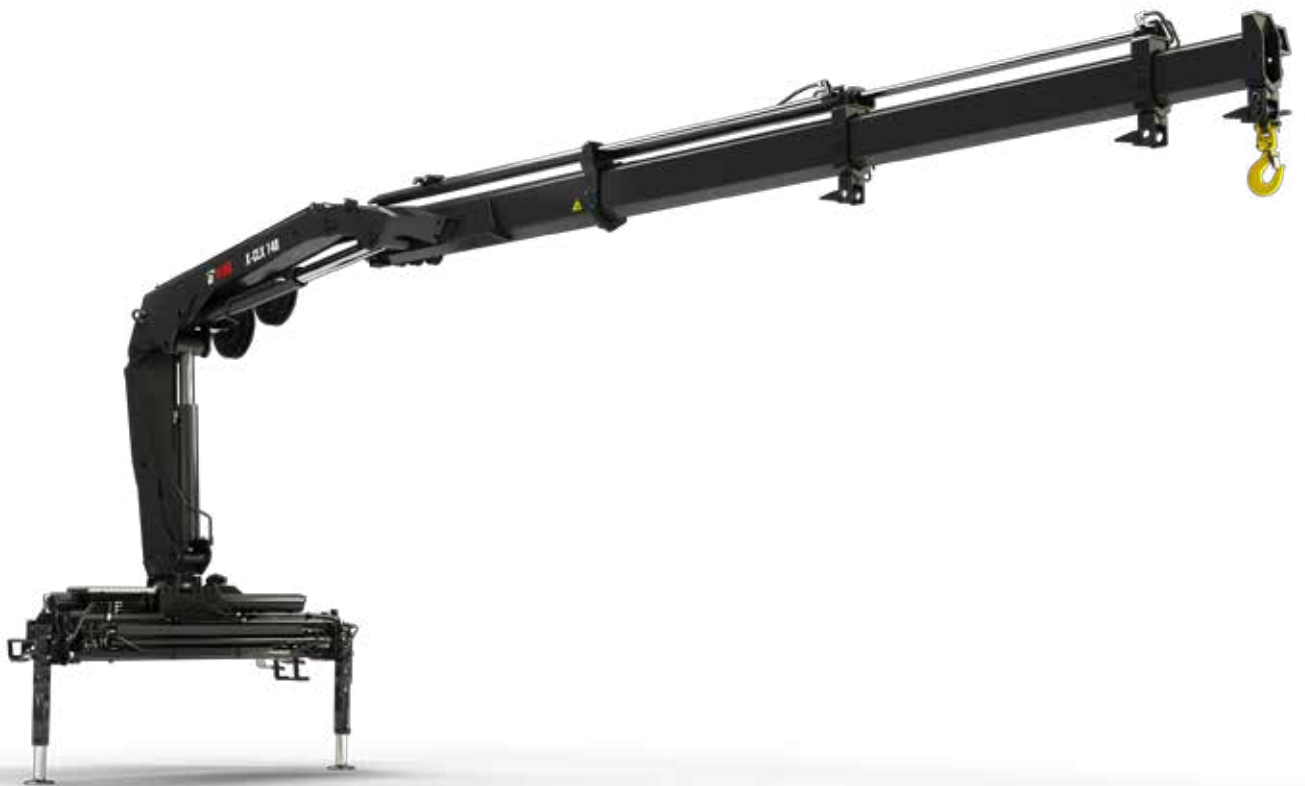


HIAB X-CLX 148

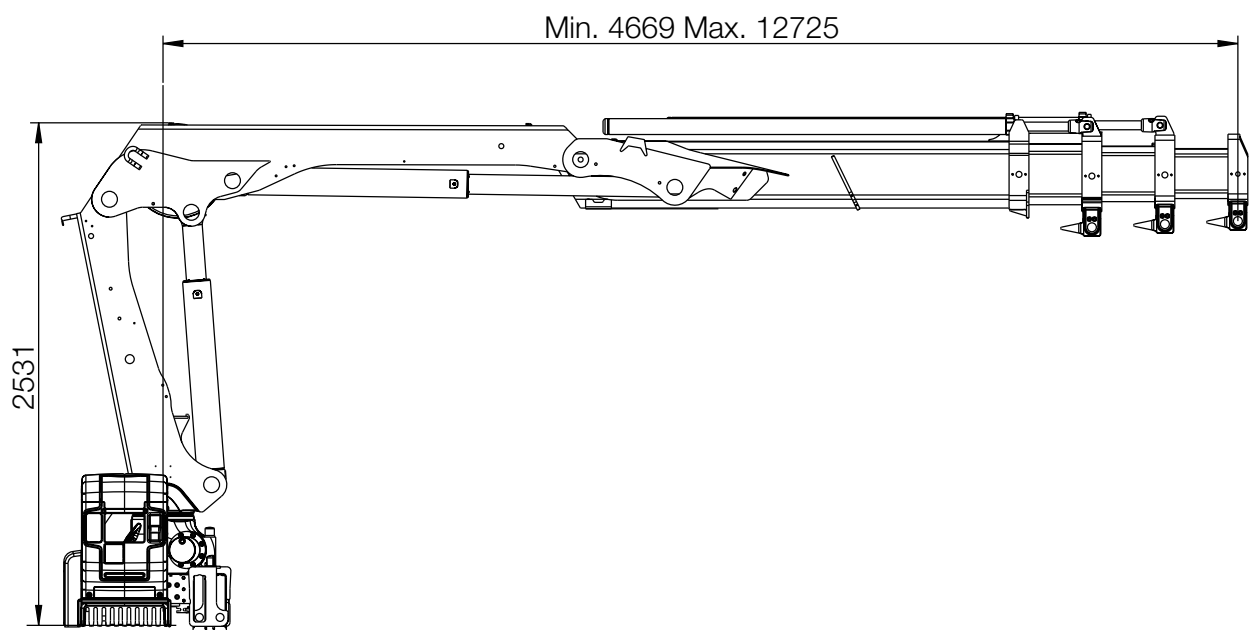
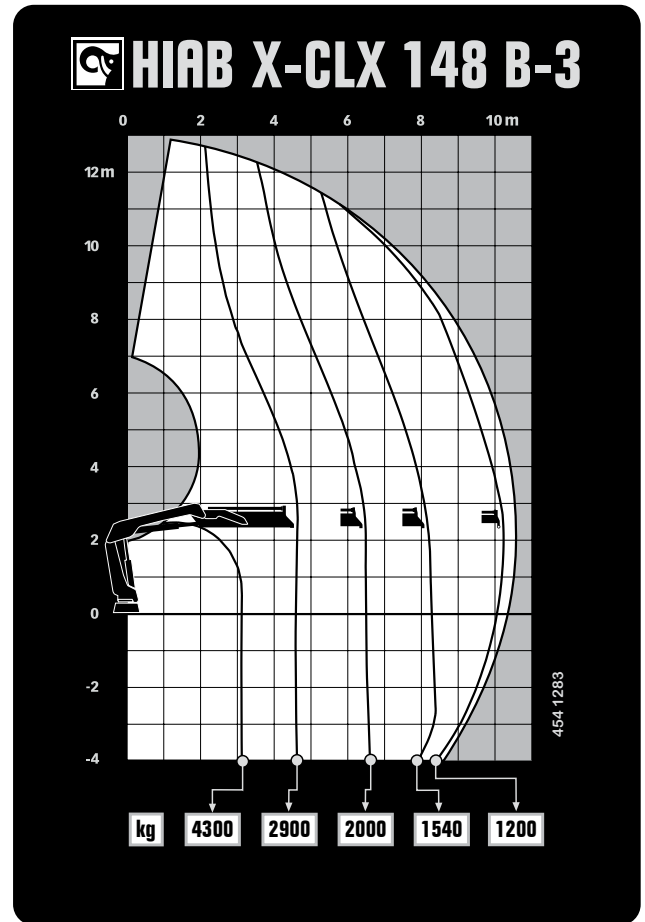
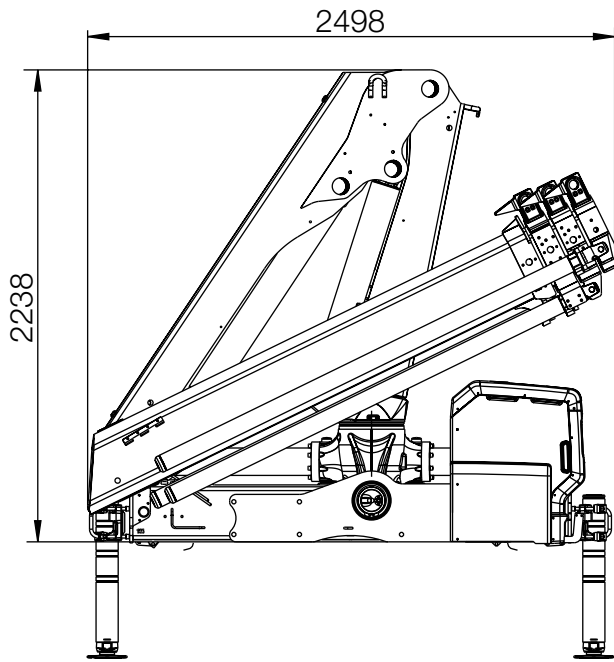


HIAB X CLX 148 BASIC DATA

BASIC DATA	X-CLX 148 B-1	X-CLX 148 B-2	X-CLX 148 B-3	X-CLX 148 E-3	X-CLX 148 E-4
Mdyn	173 kNm	176 kNm	179 kNm	179 kNm	182 kNm
Lifting capacityk (Nm)	139	134	131	126	123
Lifting capacity (tm)	14,2	13,7	13,4	12,8	12,5
Lifting capacity (ADC) (kNm)	0	0	0	0	0
Lifting capacity (ADC) (tm)	0	0	0	0	0
Outreach - lifting capacity, standard (m-kg)	2,8 - 4 900	2,8 - 4 600	3,1 - 4 300	2,4 - 5 300	2,5 - 5 000
	4,3 - 3 300	4,3 - 3 100	4,5 - 2 900	4,6 - 2 800	4,7 - 2 600
	6 - 2 300	6,1 - 2 200	6,3 - 2 000	6,4 - 1 960	6,5 - 1 800
		8 - 1 660	8,2 - 1 540	8,3 - 1 480	8,4 - 1 320
				10,3 - 1 200	10,4 - 1 160
Outreach - lifting capacity, manual extensions (m-kg)	7,9 - 1 660	10 - 1 220	12,5 - 900	12,6 - 880	15 - 660
	10 - 1 220	12,2 - 940		15 - 700	17,3 - 520
	12,2 - 940			17,3 - 560	
Hydraulic outreach, standard (m)	6,3	8,4	10,6	10,5	12,8
Hydraulic boom extension (m)	1,9 m	3,9 m	5,9 m	5,9 m	8,1 m
Outreach, manual extensions (m)	0	0	12,8	0	0
Lifting height above installation level, hydr/man (m)	8,7 / 15,2	10,8 / 15,2	13,0 / 15,2	12,9 / 19,8	15,2 / 19,8
Rec. oil flow (l/min)	45 - 50	45 - 50	45 - 50	45 - 50	45 - 50
Working pressure (Mpa)	25,9	25,9	25,9	28,3	28,3
Oil in tank (l)	70 - 200	70 - 200	70 - 200	70 - 200	70 - 200
Tank capacity (l)	0 - 235	0 - 235	0 - 235	0 - 235	0 - 235
Slewing angle (°)	415	415	415	415	415
Max slope viable at full capacity (°)	5	5	5	5	5
Slewing torque, gross (kNm)	16,4	16,4	16,4	16,4	16,4
Slewing speed 80 (°/s)	15	15	15	15	15
Slewing speed (°/s)	15	15	15	15	15
Lifting speed at standard hydraulic outreach (m/s)	0,8	1,4	1,8	1,5	1,8
Height in folded position (mm)	2 238	2 238	2 238	2 261	2 261
Width in folded position (mm)	2 374	2 440	2 498	2 402	2 480
Install space required with hose and pipe kit (mm)	1 030	1 020	1 018	1 030	1 030
Crane in standard version without stabiliser system (kg)	1 390	1 520	1 630	1 870	1 980
Frame attachments (kg)	32 - 65	32 - 65	32 - 65	32 - 65	32 - 65
Stabiliser system (kg)	244 - 385	244 - 385	244 - 385	244 - 385	244 - 385

This table show one example of a model, and represents some of all options available. With the opportunity to configure your crane, we can provide you with a crane perfectly tailored to your needs.
Please contact your local dealer for more information and the exact data on the variety of options we can offer.

Hiab X-CLX 148 B-3



BUILT TO PERFORM

Hiab is the world's leading provider of on-road load handling equipment. Customer satisfaction is the first priority for us. Hiab's product range includes HIAB loader cranes, JONSERED recycling and forestry cranes, LOGLIFT forestry cranes, MOFFETT truck mounted forklifts and MULTILIFT demountables, as well as DEL, WALTCO and ZEPRO tail lifts.

hiab.com

Hiab is part of Cargotec.

cargotec.com



hiab.com