



HIAB K-HIPRO 515

THE ADVANCED WAY OF DELIVERING DRYWALL

DESIGNED TO DELIVER AT THE TOP LEVEL

Are you looking for a drywall crane that will extend not just your reach, but also your productivity and precision? Then look no further. HIAB K-HiPro 515 allows you to take advantage of an impressive high performance vertical range, with an incredible reach up to the 9th floor.

The advantages of HIAB K-HiPro 515 are not only about reaching high. Thanks to a long horizontal reach, the crane will also allow you to deliver materials from far away across the front lawn of a residential house or onto a construction site. The real added value is in the important lift this drywall crane will give your operations – in terms of operator safety, crane productivity and fleet optimization.

Easy handling for higher productivity

Smart safety features also help boost the productivity of your operators.

The remote control allows operators to place themselves at an ideal vantage point for working with each load.

- Faster setup of the stabilizers, since extension and retraction speed is higher.

A crane to trust

Hiab cranes are known for their performance and durability – from the high capacity-to-weight ratio to the smooth hydraulic response – and the HIAB K-HiPro 515 is no exception.

- Long-lasting reliability ensured by high-tensile steel, protected hydraulics and durable surface coating.
- Your HIAB K-HiPro 515 drywall crane is supported by a nationwide Hiab service network.



HIGH-LIFTING HIGHLIGHTS

The HIAB K-HiPro 515 drywall crane is loaded with advanced technological features that enhance operator safety and productivity.

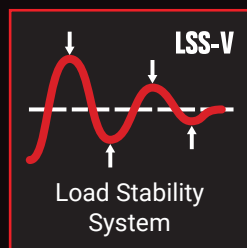
Safer, smarter lifts

Besides the extended outreach, HIAB K-HiPro 515 have features that take lifting control and precision to a higher level than ever before.

The HiPro control system sets the bar for both safety and performance. The remote control gives operators more flexibility to find the best working space and field of vision to follow operations. HiPro provides not only effective overload protection, but also features like Automatic Speed Control (ASC), which reduces the dynamic load on the crane's steel structure. ASC reduces vertical speed when operating at 80–100% of maximum capacity, which prevents the operator from making rapid movements when the load is high in the air.

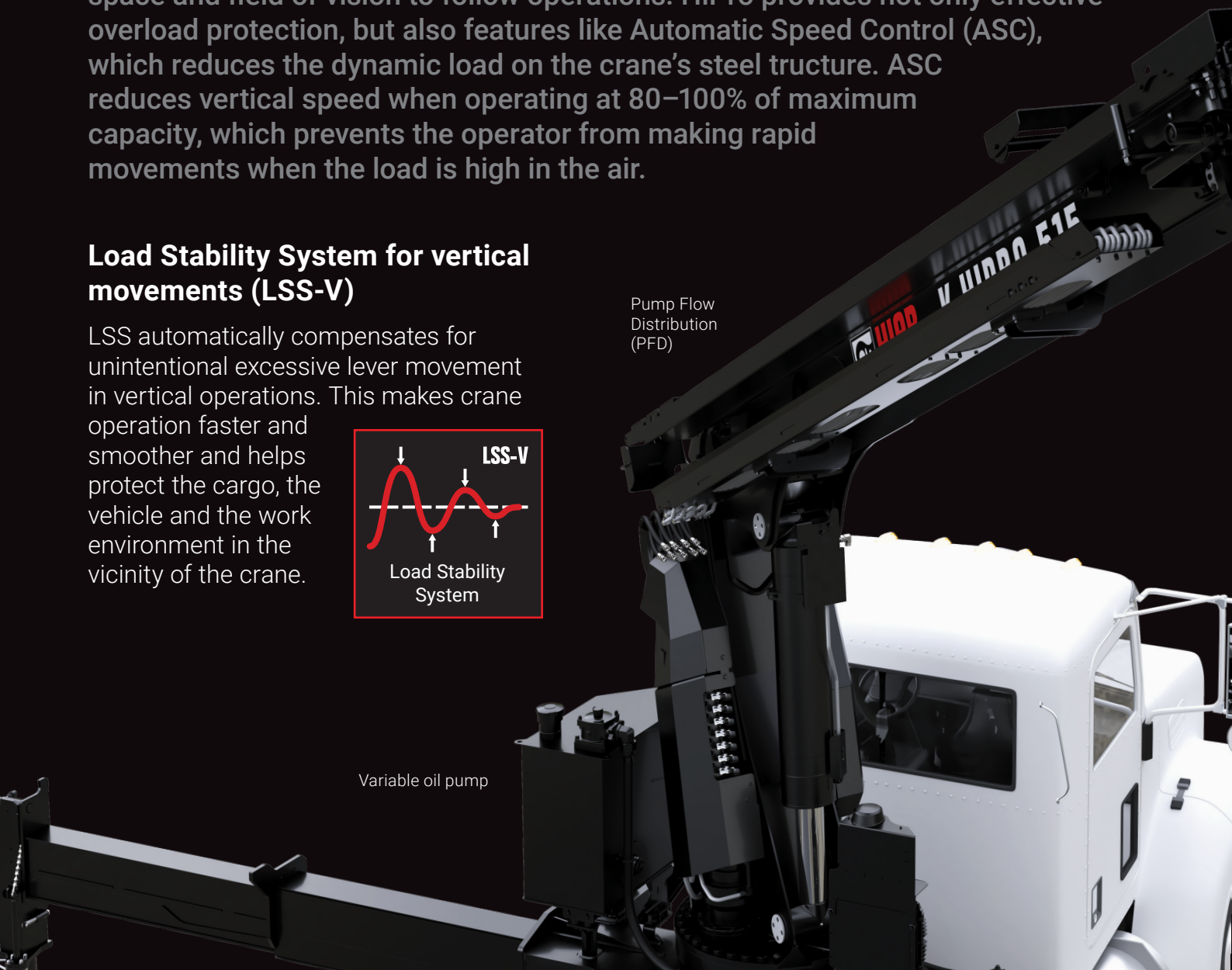
Load Stability System for vertical movements (LSS-V)

LSS automatically compensates for unintentional excessive lever movement in vertical operations. This makes crane operation faster and smoother and helps protect the cargo, the vehicle and the work environment in the vicinity of the crane.



Pump Flow Distribution (PFD)

Variable oil pump



HIAB HiConnect

HIAB drywall cranes are equipped with HiConnect, a remote connectivity service that improves fleet utilization and lowers cost of ownership. It provides you with a comprehensive fleet overview and lets us assist your operators to use their cranes to their full potential.



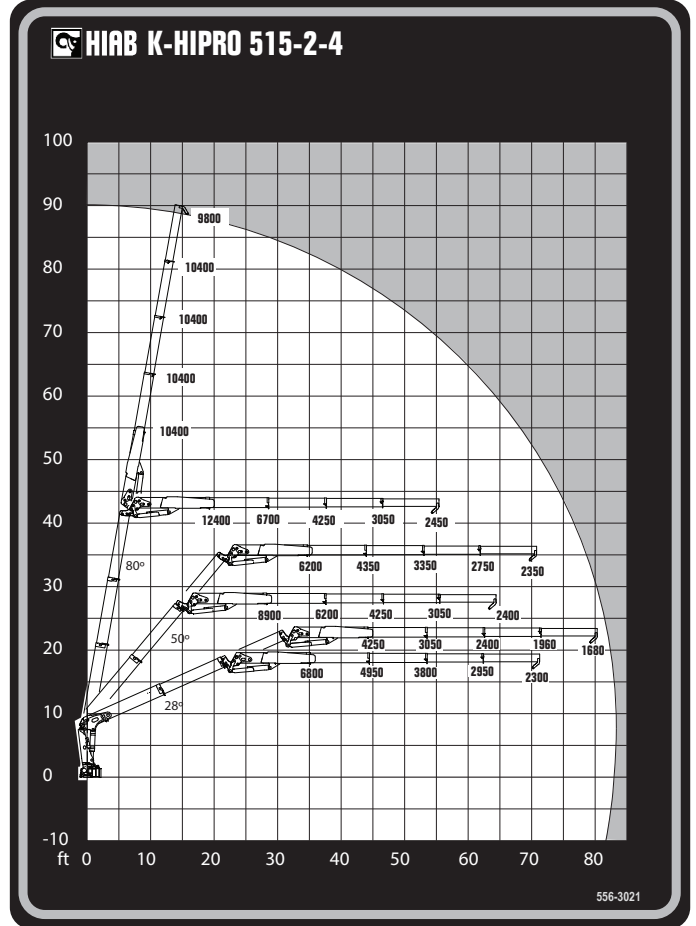
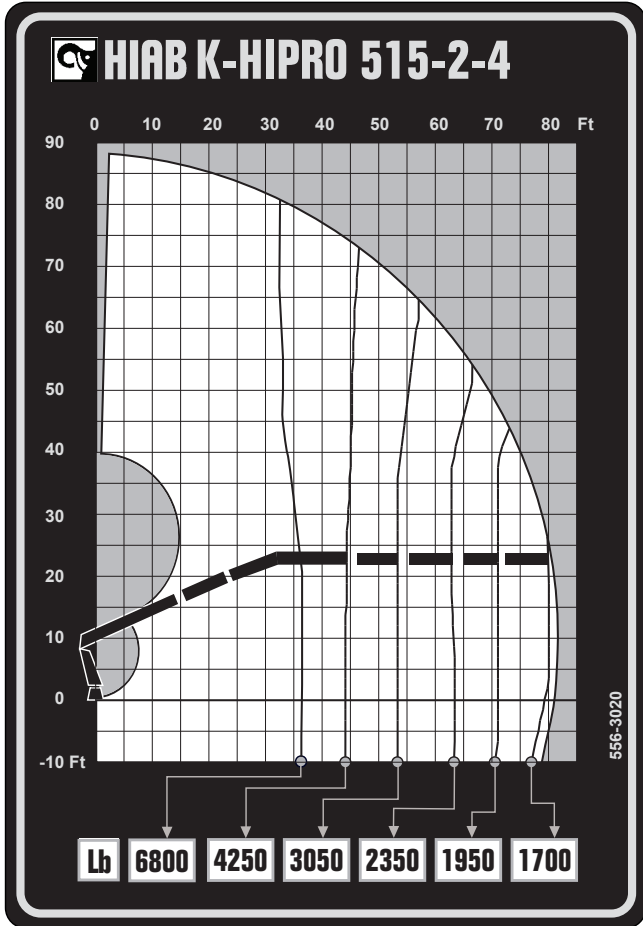
Maintenance-free
slide pads

VSL^{PLUS} (Variable Stability Logic Plus)

VSLPLUS is a safety system that prevents the crane from tipping, but also lets operators work confidently at greater outreach. The system maximizes the crane capacity by calculating the stability according to the position of the stabilizer legs and the total weight of the truck. K-HiPro 515 has an advanced VSL+ feature which increases the load placement range and optimizes the material delivery sequence while saving time.



VSL PLUS



Technical data K-HIPRO 515

Lifting capacity, max	296400 ft-lbs	402 kNm (41,0 tm)
Hydraulic outreach, standard	82' 4"	25,2 m
Height with horizontal boom	9' 3"	2824 mm
Installation space needed	42"	1057 mm
Basic crane (without stabilizer)	13999 lbs	6350 kg
8 m stabilizer equipment (including support legs)	1742 lbs	790 kg

Features

VSL	Option
VSL ^{PLUS}	Option
LSS-V	Included



VERSATILE PRECISION

The advanced continuous slewing design of the HIAB K-HiPro 515 allows you to take advantage of:

- Increased rotational torque ratio for load deliveries in all situations, with maximum slope at 5.5°.
- Reduced design complexity increasing simplification and equipment durability.
- Reduced onboard wire and harnesses, ensuring simpler maintenance.
- High stabilizer extension and retraction speed, improving setup timing.

BUILT TO PERFORM

Hiab is a leading provider of smart and sustainable load handling solutions. We are committed to delivering the best customer experience every day with the most engaged people and partners. Hiab's premium equipment includes HIAB, EFFER and ARGOS loader cranes, MOFFETT and PRINCETON truck mounted forklifts, LOGLIFT forestry cranes, JONSERED recycling cranes, MULTILIFT skiploaders and hooklifts, GALFAB roll-off cable hoists, and tail lifts under the ZEPRO, DEL and WALTCO brands. As the industry pioneer, Hiab continues to make load handling smarter, safer and more sustainable to build a better tomorrow.

hiab.com

Hiab is part of Cargotec Corporation.

cargotec.com

