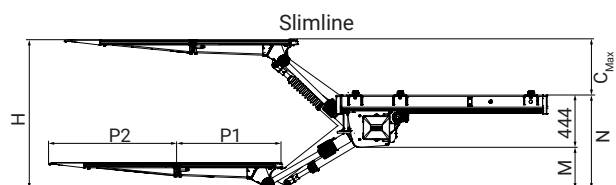
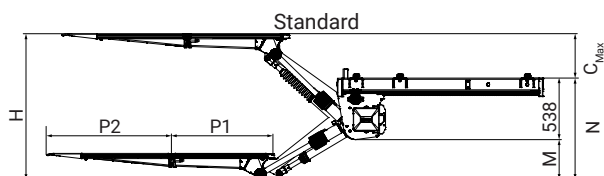
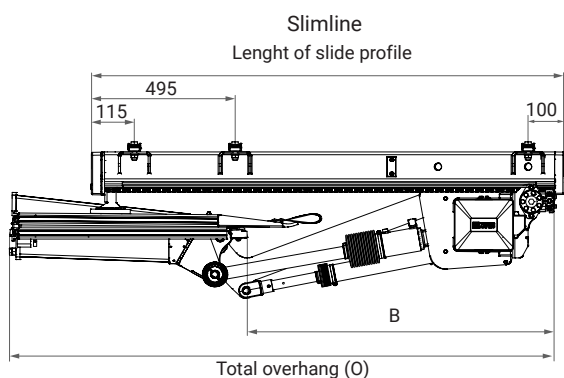
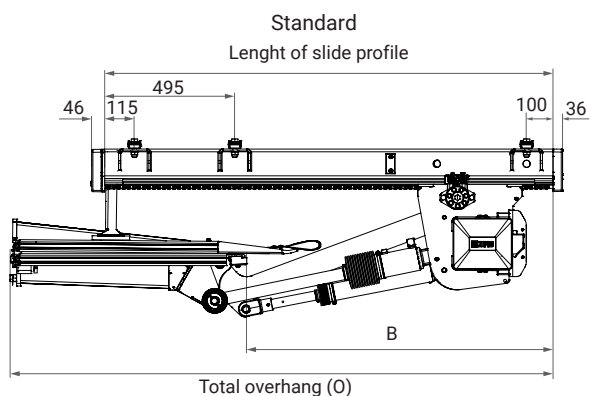
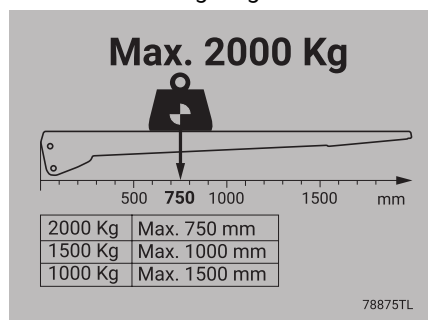


ZEPRO ZT Mk2 200 - 135

Installation dimensions (mm)



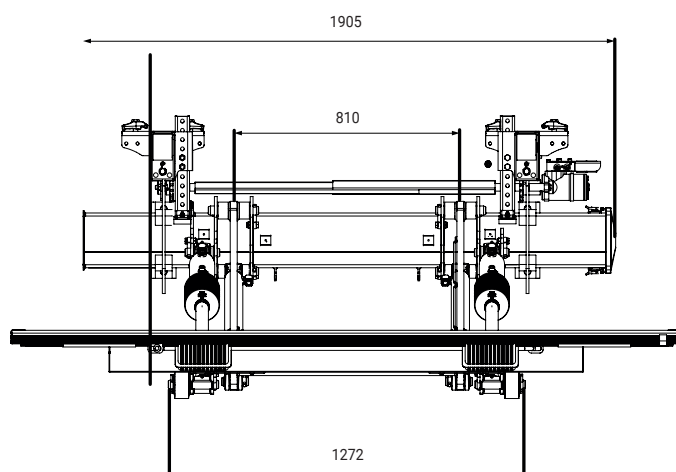
Loading diagram



	Lift Height	Slide profile	B	Platform	O
Standard	1330	1590	989*	1565	1669
				1765	1769
				1965	1869
Slimline	1330	1590	1054*	1565	1734
				1765	1834
				1965	1934

* Valid with 50 mm bavetta. With 70 mm bavetta, the dimension (B) decreases by 20 mm.

	Lift Height	C _{max}	M	N
Standard	1330	400	Max. 389	Max. 927
Slimline	1330	490	Max. 397	Max. 841



Technical Data Sheet

2023-09-29 | zepro.com

