

Specification Sheet for Cantilever Lift

Company Name: _____ Date: _____

Order Number: _____ Quantity required: _____

Deliver Lift Collect Lift from Del Delivery Date Required: _____

Delivery Address:

Company Name: _____ Street Address: _____

Post Code: _____ City: _____

Vehicle Details:

Truck GWV: _____ Trailer

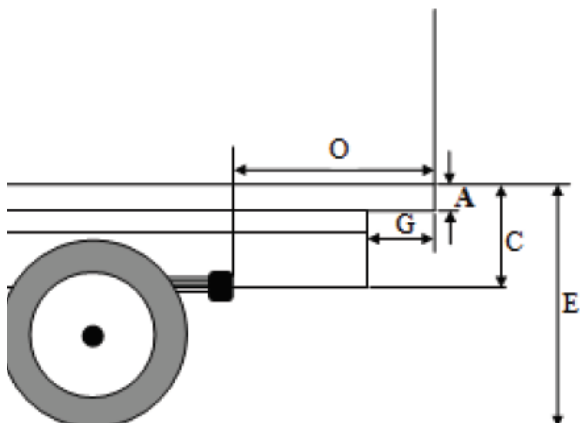
Manufacturer: _____

Model: _____

Model year: _____

Vehicle Voltage: 12v 24v

Please fill in the geometrical data in pictures below:



All vehicles:

Floor to bottom of frame – C (mm): _____

Rear of frame to rear of body – G (mm): _____

Lifting height unloaded – E (mm): _____

Width of body, external – W (mm): _____

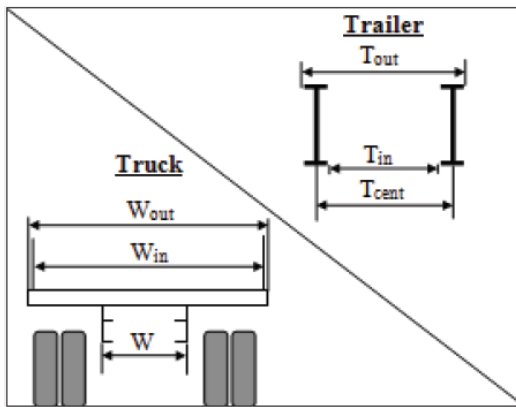
Overhang rear of springs – O (mm): _____

Width of body, internal – W (mm): _____

Height of rear sill – A (mm): _____

Suspension type:

Air springs Steel springs



If truck:
Specify chassis width – W (mm): _____

If trailer:
Specify C-C measurement of chassis I-beams – T (mm): _____

Specify inner measurement of chassis I-beams – T (mm): _____

Specify outer measurement of chassis I-beams – T (mm): _____

Rear door on body?

- Yes (includes guide bar) No, platform as rear door (includes seal kit)

Tow Hook:

- No tow hook Central mount Half under mount Full under mount

Tail Lift Details

Lifting capacity: 750 kg 1000 kg 1500 kg 2000 kg 2500 kg 3000 kg

Lift Frame Finish: Powder paint standard colour (**RAL9005 black <= 1000kg / Zepro Grey > 1000kg**)

Powder paint, customer colour (**min 5 pcs**) – RAL: _____

Control units Fixed Outside & Internal Wanderlead (Standard Specification)

Fixed Outside & Internal Fixed

Fixed Outside & Radio Control

Fixed Outside & Foot Controls (Auto Tilt Required)

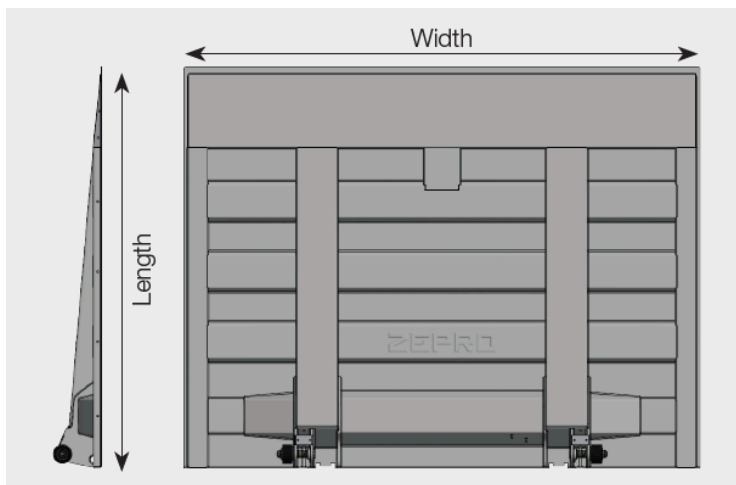
Cabin switch: Cable and switch

Tilt Function: Manual Tilt (Standard Specification) Auto-Tilt

- Cables:
- 27' Battery Cables, 25 mm
 - 35' Battery Cables, 35 mm
 - 43' Battery Cables, 35 mm

Platforms

- 90° roll stops are always included.
- Platform material aluminium unless otherwise specified
- All measurements are in mm



Z75-110 (750kg Capacity):

Platform size: 1200 D x 2090 W, 90° RS 1600 D x 2090 W, 90° RS 1600 D x 2350 W, 90° RS

Z10-135 (1000kg Capacity):

Platform size: 1605 D x 2390 W, 90° RS

Z15 & 20-150 (1500kg & 2000kg Capacity):

Platform size: 1855 D x 2450 W, 90° RS 2105 D x 2450 W, 90° RS 2305 D x 2540 W, 90° RS

Z2500-155 (2500kg Capacity):

Platform size: 2005 D x 2520 W, 90° RS (Steel Platform)

ZHD3000-155 (3000kg Capacity):

Platform size: 2500 D x 2490 W, 90° RS (Steel Platform)

****Other Platform Sizes are available, please speak with DEL Sales for further information. Please note that non standard sizes will need to be approved and could incur an additional charge and lead time.**

Options:

Flashing Lights

Fences:

Pair of Detachable Side Guards

Sockets Only (4 off)

Pair Fixed P-Guards

Warranty:

2 Year Warranty (Included)

3 Year Warranty