

# HIAB X-HIPRO 1058



# HIAB X-HIPRO 1058 BASIC DATA

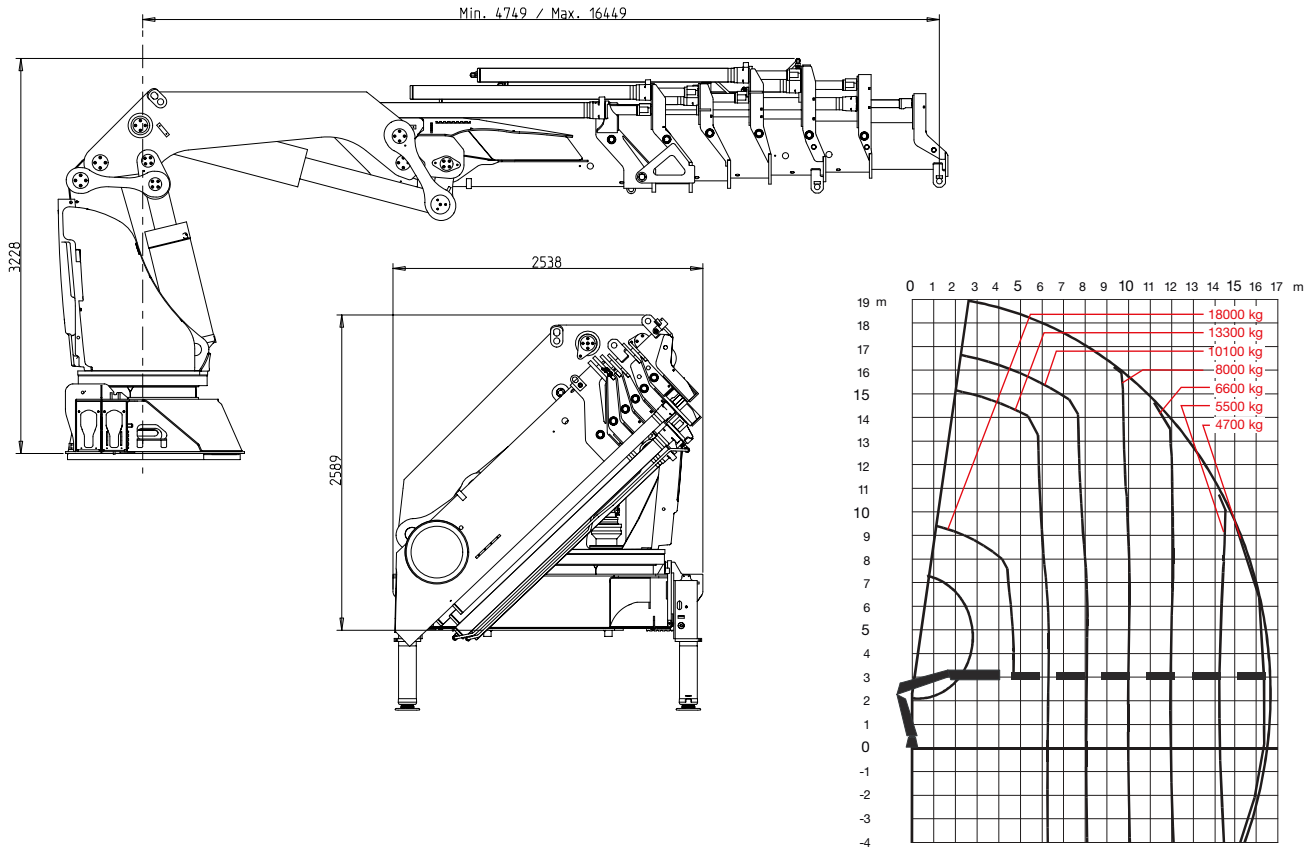
Technical data	HIAB X-HIPRO 1058 EP-6	HIAB X-HIPRO 1058 E-10	HIAB X-HIPRO 1058 E-8 + JIB 150X-6
Max. lifting capacity (kNm)	825	794	803
Outreach, hydraulic extensions (m)	16.4	24.0	19.7
Outreach, with jib (m)	-	-	31.8
Outreach, with jib, with manual extension (m)	-	-	33.3
Outreach, with jib, extra long support out (m)	-	-	33.3
Outreach, with jib, extra long support out, with manual extension (m)	-	-	34.8
Outreach / lifting capacity, with hydraulic extension, first boom 18°, Second boom horizontal (m/kg)	4.7 / 18000	4.4 / 18000	4.4 / 18000
	6.2 / 13300	6.3 / 12300	6.1 / 13000
	8.0 / 10100	8.0 / 9300	7.8 / 9800
	9.9 / 8000	9.7 / 7300	9.5 / 7800
	11.9 / 6600	11.6 / 5800	11.4 / 6200
	14.1 / 5500	13.6 / 4750	13.4 / 5200
	16.3 / 4700	15.5 / 4050	15.3 / 4450
	-	17.6 / 3450	17.4 / 3850
	-	19.6 / 3050	19.4 / 3450
	-	21.8 / 2720	
Outreach / lifting capacity with jib, (extra long jib support out) (m/kg)	-		24.2 / 1540
	-		25.5 / 1440
	-		26.8 / 1340
	-		28.2 / 1260
	-		29.7 / 1060
	-		31.4 / 860
			33.1 / 720
Outreach / lifting capacity with jib, manual extension (m/kg)	-	-	34.5 / 620
Slewing angle (°)	endless	endless	endless
Height in folded position without / with jib (mm)	2589 / -	2602 / -	2507 / 2734
Width in folded position without / with jib (mm)	2538 / -	2538 / -	2538 / 2550
Installation space needed without / with jib (mm)	1734 / -	1834 / -	1844 / 1856
Installation space needed (including rotation space) without / with jib (mm)	1813 / -	1913 / -	1923 / 1935
Weight, "standard" crane, without stabilisers (kg)	7119	8224	7833
Weight, jib without / with manual extension (kg)	-	-	1306 / 1360
Weight, frame attachments (kg)	66 - 265	66 - 265	66 - 265
Weight, stabiliser equipment, 9 m span (kg)	1192 - 1319	1192 - 1319	1192 - 1319

*This table shows a few examples of models, and is not representative for all options available.*

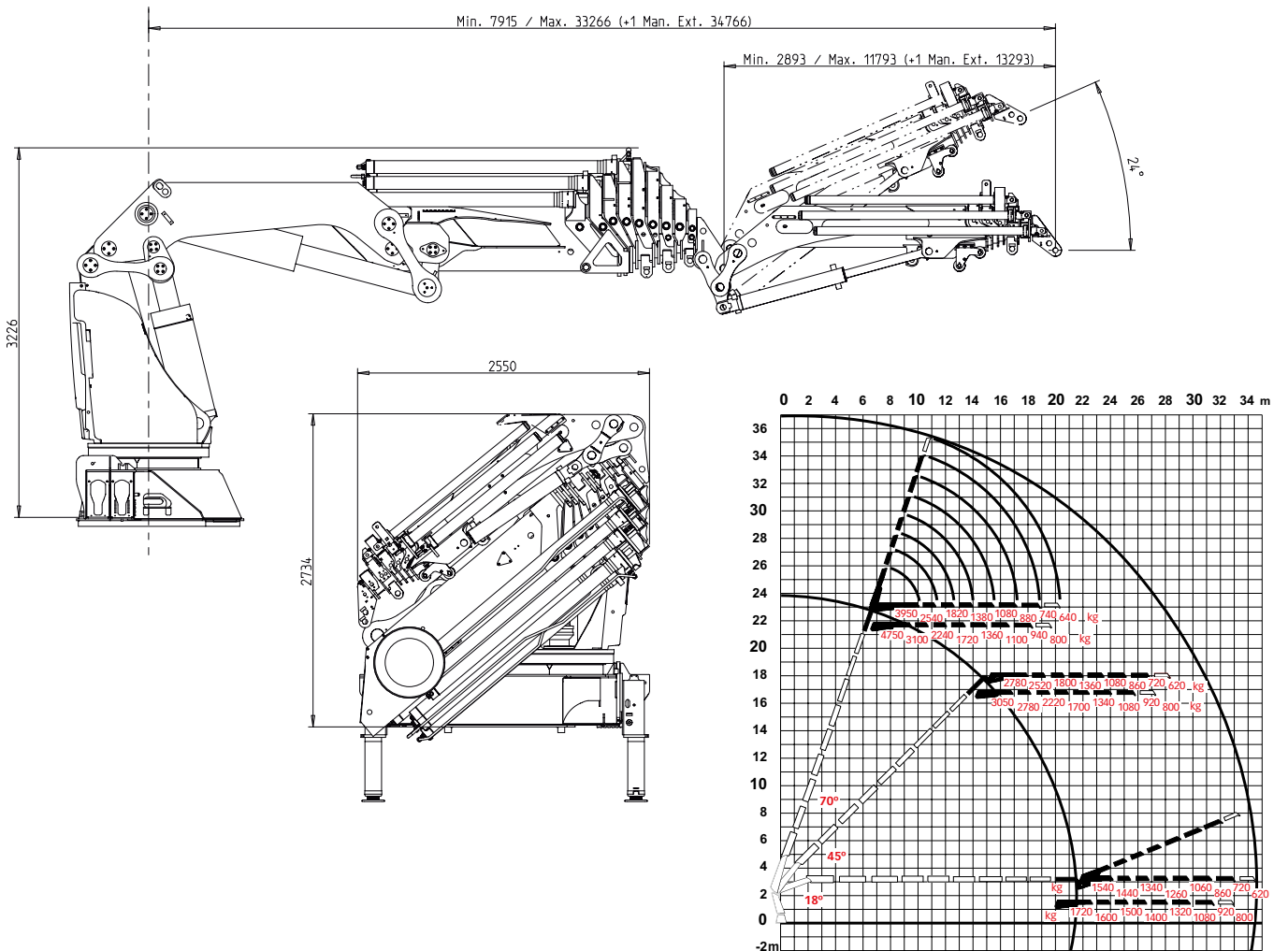
*With the opportunity to configure your crane we can provide you with a crane perfectly tailored to your needs.*

*Please contact your local dealer for more information on the variety of options we can offer.*

# HIAB X-HIPRO 1058 EP-6



# HIAB X-HIPRO 1058 E-8 + JIB 150X-6



# BUILT TO PERFORM

Hiab is the world's leading provider of on-road load handling equipment. Customer satisfaction is the first priority for us. Hiab's product range includes HIAB loader cranes, JONSERED recycling and forestry cranes, LOGLIFT forestry cranes, MOFFETT truck mounted forklifts and MULTILIFT demountables, as well as DEL, WALTCO and ZEPRO tail lifts.

[hiab.com](http://hiab.com)

Hiab is part of Cargotec.

[cargotec.com](http://cargotec.com)



BD-1068-EN-ELL 150121



[hiab.com](http://hiab.com)

