

HIAB X-HIPRO 142



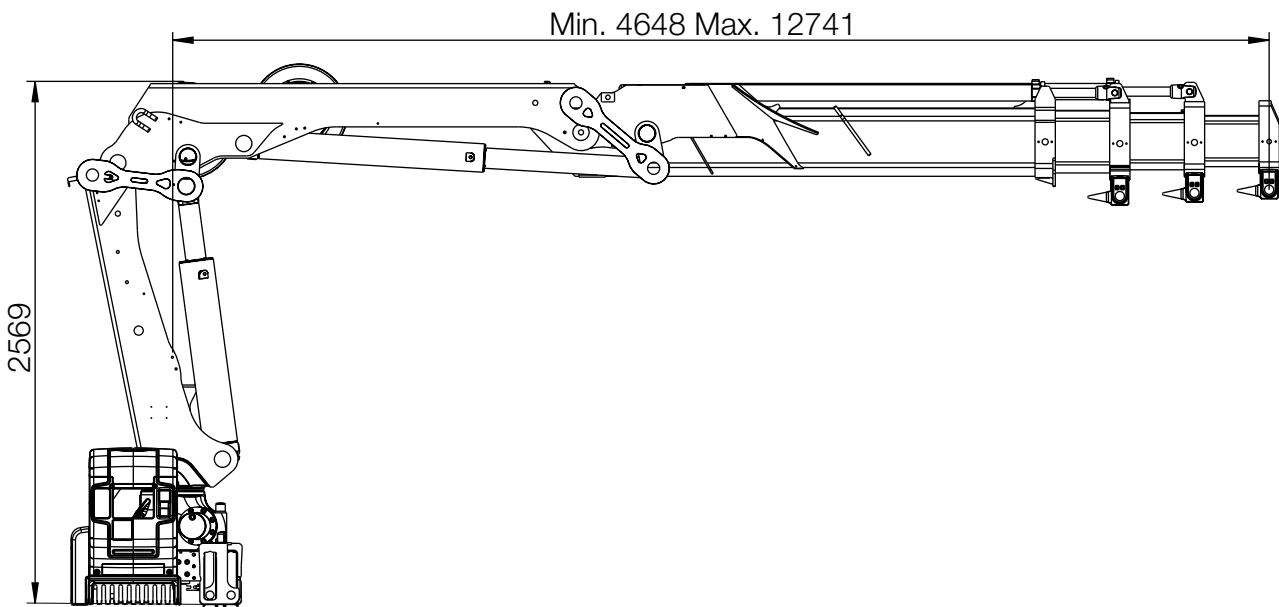
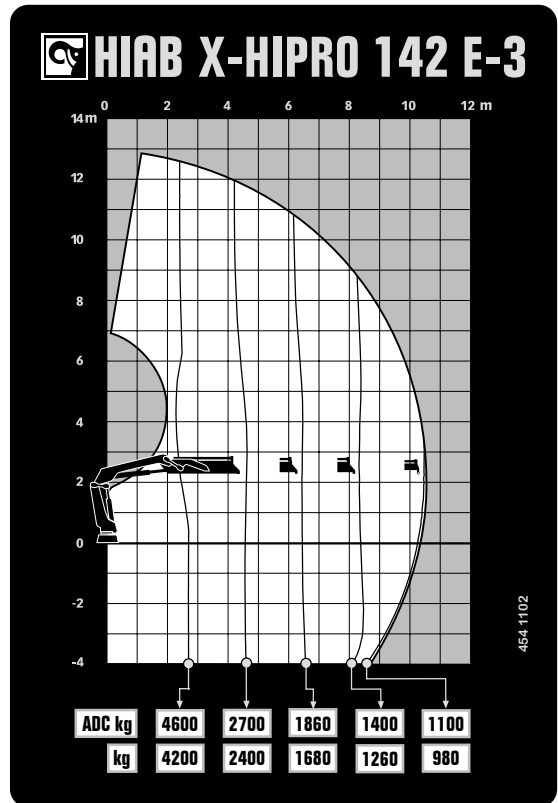
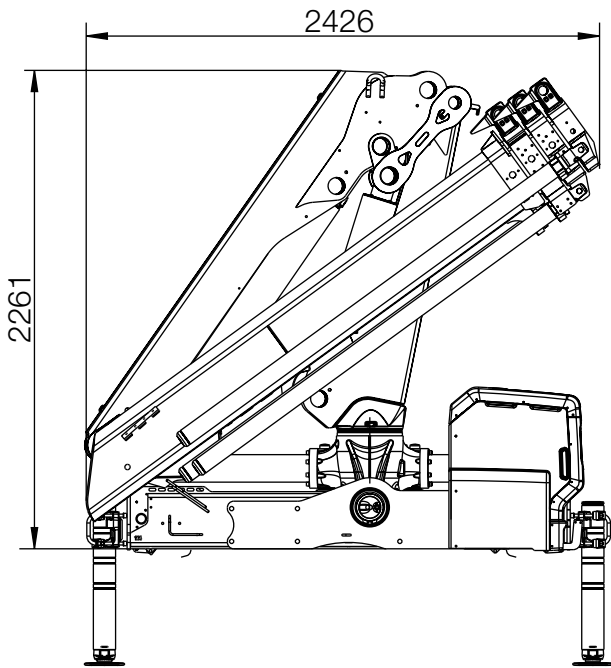
HIAB X-HIPRO 142 BASIC DATA

BASIC DATA	X-HiPro 142 E-2	X-HiPro 142 E-3	X-HiPro 142 E-4	X-HiPro 142 E-5
Mdyn	154 kNm	154 kNm	155 kNm	155 kNm
Lifting capacity (kNm)	115	108	106	105
Lifting capacity (tm)	11,7	11	10,8	10,7
Lifting capacity (ADC) (kNm)	125	122	115	114
Lifting capacity (ADC) (tm)	12,7	12,4	11,7	11,6
Outreach - lifting capacity, standard (m-kg)	2,6 - 4 900	2,6 - 4 600	2,8 - 4 300	2,9 - 4 000
	4,5 - 2 800	4,6 - 2 700	4,7 - 2 500	4,8 - 2 400
	6,3 - 1 980	6,4 - 1 860	6,5 - 1 740	6,6 - 1 640
	8,2 - 1 520	8,3 - 1 400	8,4 - 1 280	8,5 - 1 180
		10,4 - 1 100	10,5 - 980	10,6 - 900
				12,7 - 800
			15 - 600	
Outreach - lifting capacity, manual extensions (m-kg)	10,4 - 1 140	12,6 - 860	15 - 640	17,3 - 470
	12,6 - 900	15 - 680	17,3 - 500	
	15 - 700	17,3 - 540		
Hydraulic outreach, standard (m)	8,3	10,5	12,8	15,1
Hydraulic boom extension (m)	3,9 m	5,9 m	8,1 m	10,3 m
Outreach, manual extensions (m)	15,1	17,4	17,4	17,4
Lifting height above installation level, hydr/man (m)	10,8 / 17,5	12,9 / 19,8	15,2 / 19,8	17,5 / 19,8
Rec. oil flow (l/min)	70 - 120	70 - 120	70 - 120	70 - 120
Working pressure (Mpa)	30,9	30,9	30,9	30,9
Oil in tank (l)	70 - 200	70 - 200	70 - 200	70 - 200
Tank capacity (l)	0 - 235	0 - 235	0 - 235	0 - 235
Slewing angle (°)	415	415	415	415
Max slope viable at full capacity (°)	6	6	6	6
Slewing torque, gross (kNm)	16,4	16,4	16,4	16,4
Slewing speed 80 (°/s)	15	15	15	15
Slewing speed (°/s)	15	15	15	15
Lifting speed at standard hydraulic outreach (m/s)	1,7	2,2	2,6	3,1
Height in folded position (mm)	2 261	2 261	2 261	2 261
Width in folded position (mm)	2 378	2 426	2 479	2 505
Install space required with hose and pipe kit (mm)	1 002	1 023	1 012	1 024
Crane in standard version without stabiliser system (kg)	1 720	1 830	1 930	2 020
Frame attachments (kg)	32 - 65	32 - 65	32 - 65	32 - 65
Stabiliser system (kg)	244 - 385	244 - 385	244 - 385	244 - 385

This table shows one example of a model, and represents some of all options available. With the opportunity to configure your crane, we can provide you with a crane perfectly tailored to your needs.

Please contact your local dealer for more information and the exact data on the variety of options we can offer.

Hiab X-HIPRO 142 E-3



BUILT TO PERFORM

Hiab is the world's leading provider of on-road load handling equipment. Customer satisfaction is the first priority for us. Hiab's product range includes HIAB loader cranes, JONSERED recycling and forestry cranes, LOGLIFT forestry cranes, MOFFETT truck mounted forklifts and MULTILIFT demountables, as well as DEL, WALTCO and ZEPRO tail lifts.

hiab.com

Hiab is part of Cargotec.

cargotec.com



© BD-XHIPRO142-EN-VWV_160806



hiab.com