



Hiab Multilift

XR Power range hooklifts

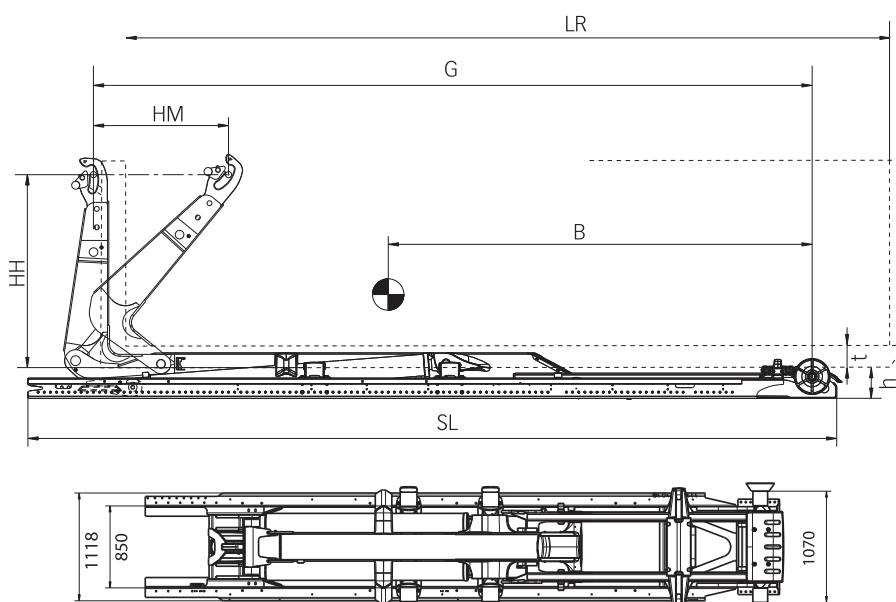


TECHNICAL INFORMATION

XR21T

TECHNICAL DATA

TYPE	XR21T				
VEHICLE TYPE	3 axle				
GVW OF THE VEHICLE (t)	26				
CAPACITY (t)	21				
G-LENGTH	46	51	55	59	61
SYSTEM WEIGHT (kg) *	2380	2460	2540	2610	2630
TIPPING ANGLE (°)	50	49	49	52	49
MAX. OPERATING PRESSURE (MPa)	30				
RECOMMENDED MAX. OIL FLOW (l/min)	100 (special 150)				



* Weight includes hydraulic body locking and excludes oil tank and oil.

** The subframe length (SL) can be reduced to achieve a final installation length. The minimum installation length depends upon country and control valve position. For an exact installation length dimension please contact your local Hiab Multilift dealer.

*** Other hook heights for different body standards available.

Hiab Multilift equipments meet the demands set forth in the EU Machine Directive and they are CE marked.

We reserve the rights for modifications. Illustrations do not always show an equipment in standard version.

PRIMARY DIMENSIONS

MODEL	XR21T.46	XR21T.51	XR21T.55	XR21T.59	XR21T.61
LR = BODY LENGTH (m) min - max	3,7 - 5,6	4,2 - 6,1	4,7 - 6,5	5,0 - 6,9	5,2 - 7,1
SL = SUBFRAME LENGTH (mm) **	5333	5933	6283	6583	6783
B = CENTRE OF GRAVITY (mm)	2600	2900	3200	3350	3500
G = EXACT G-LENGTH (mm)	4580	5080	5480	5850	6080
HM = HORIZONTAL MOVEMENT (mm)	1100	1100	1100	1100	1100
t = MIN. FREE TUNNEL HEIGHT (body) (mm)	125				
h = INSTALLATION HEIGHT (mm)	250				
HH = HOOK HEIGHT (mm) ***	1570				

Cargotec improves the efficiency of cargo flows on land and at sea – wherever cargo is on the move. Cargotec's daughter brands Hiab, Kalmar and MacGregor are recognised leaders in cargo and load handling solutions around the world. Cargotec's global network is positioned close to customers and offers extensive services that ensure the continuous, reliable and sustainable performance of equipment. www.cargotec.com



Cargotec Finland Oy
 Nesteentie 36, P.O.Box 39
 FI-21201 Raisio, Finland
 tel. +358 204 55 2399
 fax +358 204 55 2231
www.hiab.com