

MULTILIFT FUTURA 8

SMALL IN SIZE, BIG ON PERFORMANCE



MULTILIFT FUTURA 8 BASIC TECHNICAL DATA

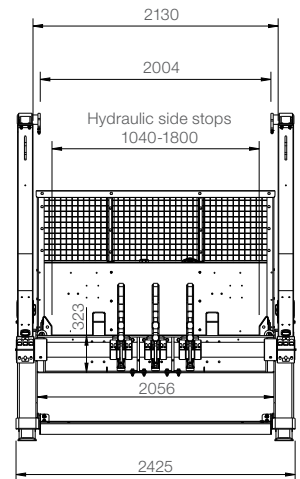
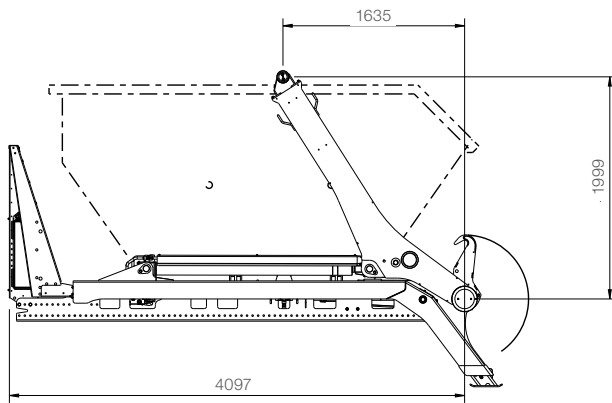
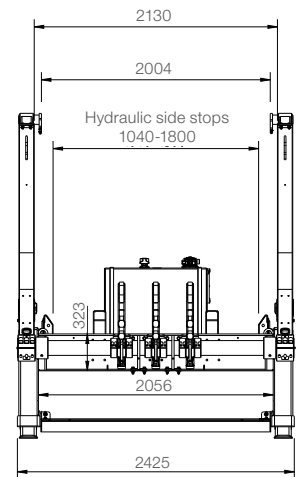
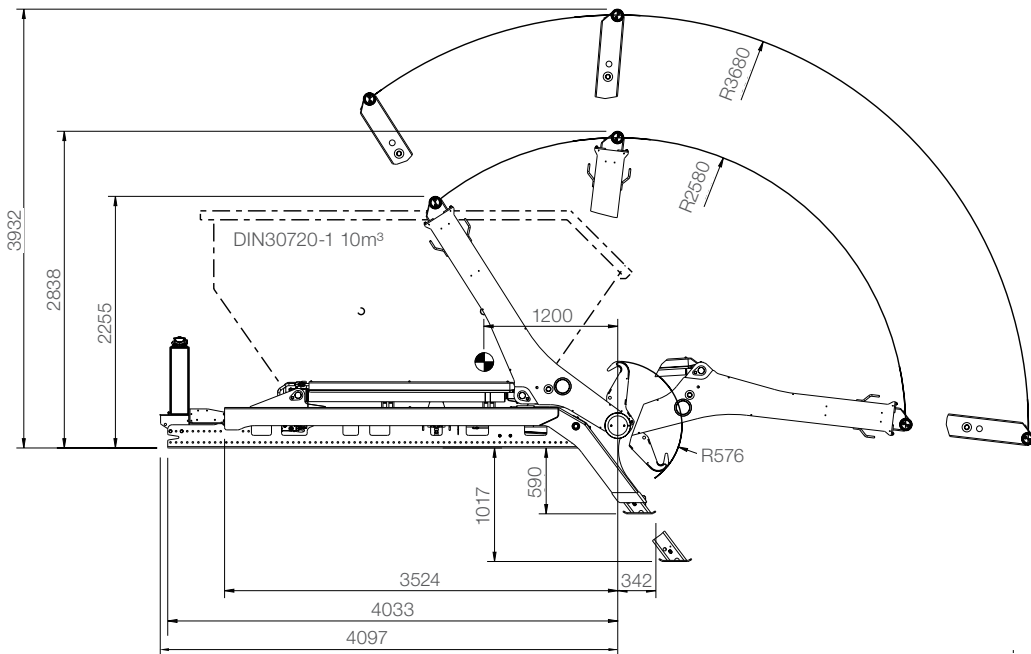
Technical data	FUTURA 8	
Vehicle type	2 axle	
GVW of the vehicle (t)	12 (15)	
Capacity (t)	8	
Equipment length *	38	41
System weight (kg) **	1900	
Max. operating pressure (MPa)	30	
Recommended oil flow (l/min)	55	

* Equipment length with pre-mounted oil tank

** System weight of basic unit without additional options, cabin guard, extension

MULTILIFT equipments meet the demands set forth in the EU Machine Directive and they are CE marked.

We reserve the rights for modifications. Illustrations do not always show an equipment in standard version.



Different stabilizer legs

