

HIAB X-HIPRO 858



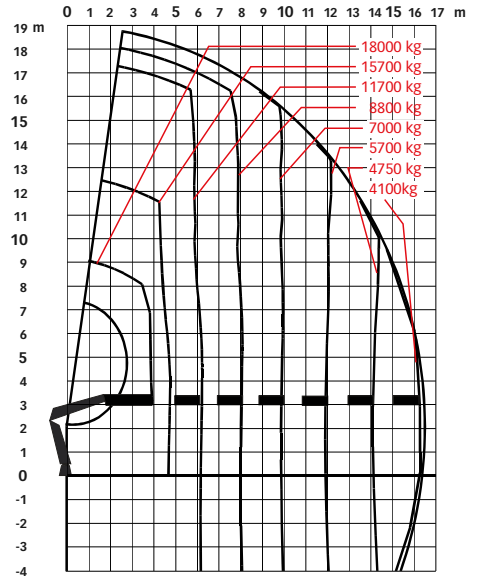
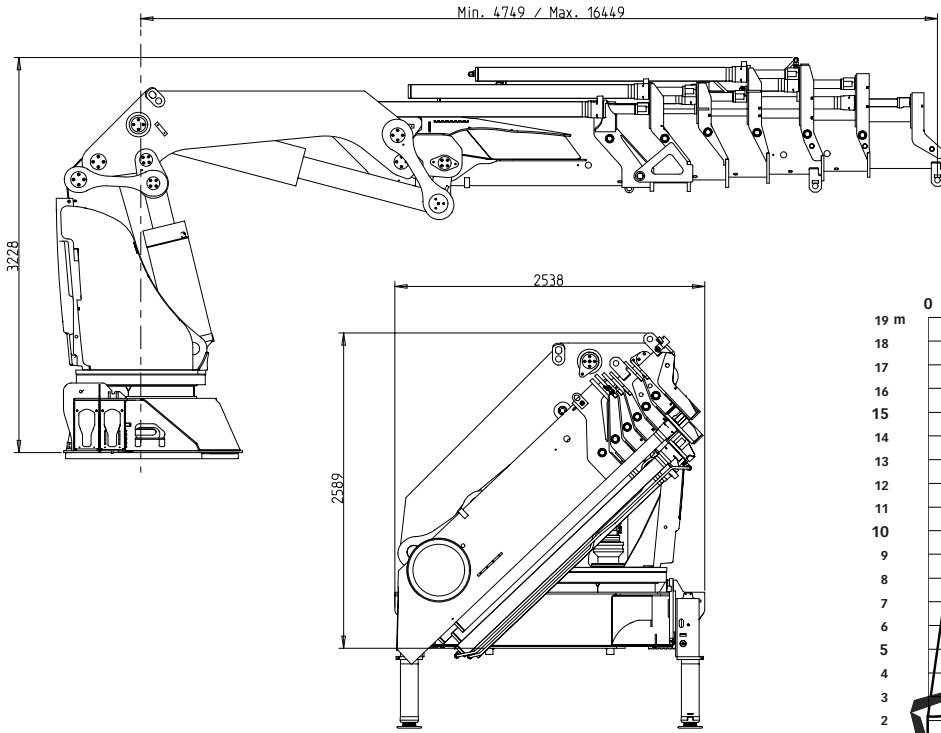
HIAB X-HIPRO 858 BASIC DATA

Technical data	HIAB X-HIPRO 858 EP-6	HIAB X-HIPRO 858 E-10	HIAB X-HIPRO 858 E-8 + JIB 150X-6
Max. lifting capacity (kNm)	725	692	701
Outreach, hydraulic extensions (m)	16.4	24.0	19.7
Outreach, with jib (m)	-	-	31.8
Outreach, with jib, with manual extension (m)	-	-	33.3
Outreach, with jib, extra-long support out (m)	-	-	33.3
Outreach, with jib, extra-long support out, with manual extension (m)	-	-	34.8
Outreach / lifting capacity, with hydraulic extension, first boom 18°, Second boom horizontal (m/kg)	3.9 / 18000 4.7 / 15700 6.2 / 11700 8.0 / 8800 9.9 / 7000 11.9 / 5700 14.1 / 4750 16.3 / 4100 - - - -	3.6 / 18000 4.8 / 14700 6.3 / 10700 8.0 / 8000 9.7 / 6200 11.6 / 4950 13.6 / 4000 15.5 / 3400 17.6 / 2880 19.6 / 2540 21.8 / 2260 23.8 / 2060	3.8 / 18000 4.6 / 15500 6.1 / 11300 7.8 / 8500 9.5 / 6700 11.4 / 5300 13.4 / 4400 15.3 / 3750 17.4 / 3250 19.4 / 2900 - -
Outreach / lifting capacity with jib, (extra-long jib support out) (m/kg)	-	-	24.2 / 1120 25.5 / 1020 26.8 / 950 28.2 / 890 29.7 / 830 31.4 / 780 33.1 / 730
Outreach / lifting capacity with jib, manual extension (m/kg)	-	-	34.6 / 620
Slewing angle (°)	endless	endless	endless
Height in folded position without / with jib (mm)	2589 / -	2602 / -	2507 / 2734
Width in folded position without / with jib (mm)	2538 / -	2538 / -	2538 / 2550
Installation space needed without / with jib (mm)	1734 / -	1834 / -	1844 / 1856
Installation space needed (including rotation space) without / with jib (mm)	1813 / -	1913 / -	1923 / 1935
Weight, "standard" crane, without stabilisers (kg)	6662	7770	7408
Weight, jib without / with manual extension (kg)	-	-	1306 / 1360
Weight, frame attachments (kg)	66 - 265	66 - 265	66 - 265
Weight, stabiliser equipment, 9 m span (kg)	1192 - 1319	1192 - 1319	1192 - 1319

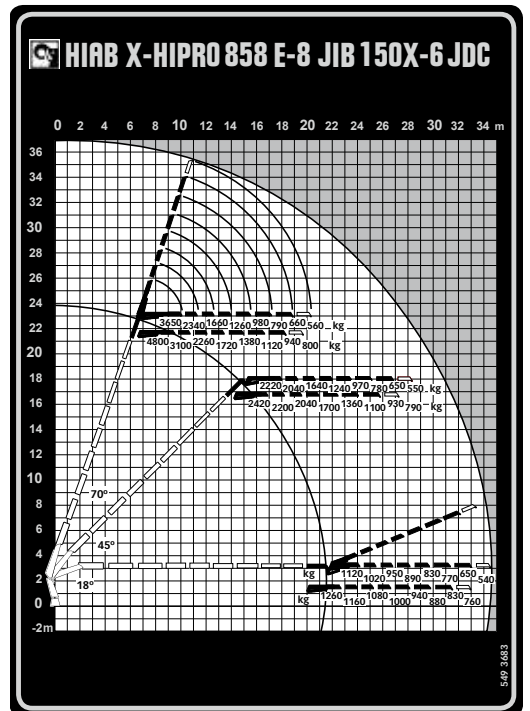
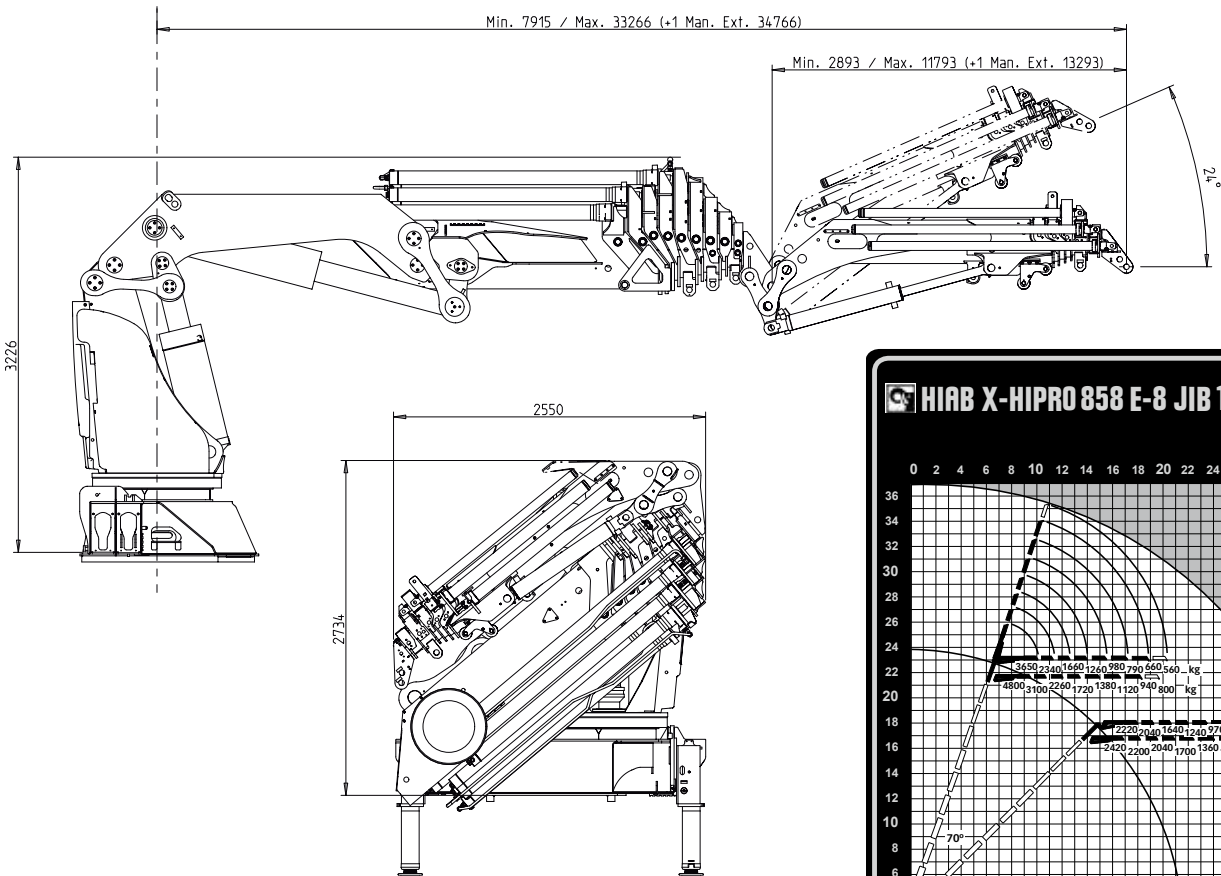
This table shows a few examples of models, and represents some of all options available. With the opportunity to configure your crane, we can provide you with a crane perfectly tailored to your needs.

Please contact your local dealer for more information on the variety of options we can offer.

HIAB X-HIPRO 858 EP-6



HIAB X-HIPRO 858 E-8 + JIB 150X-6



BUILT TO PERFORM

Hiab is the world's leading provider of on-road load handling equipment. Customer satisfaction is the first priority for us. Hiab's product range includes HIAB loader cranes, JONSERED recycling and forestry cranes, LOGLIFT forestry cranes, MOFFETT truck mounted forklifts and MULTILIFT demountables, as well as DEL, WALTCO and ZEPRO tail lifts.

hiab.com

Hiab is part of Cargotec.

cargotec.com



BD-866-EN-EU_160831



hiab.com