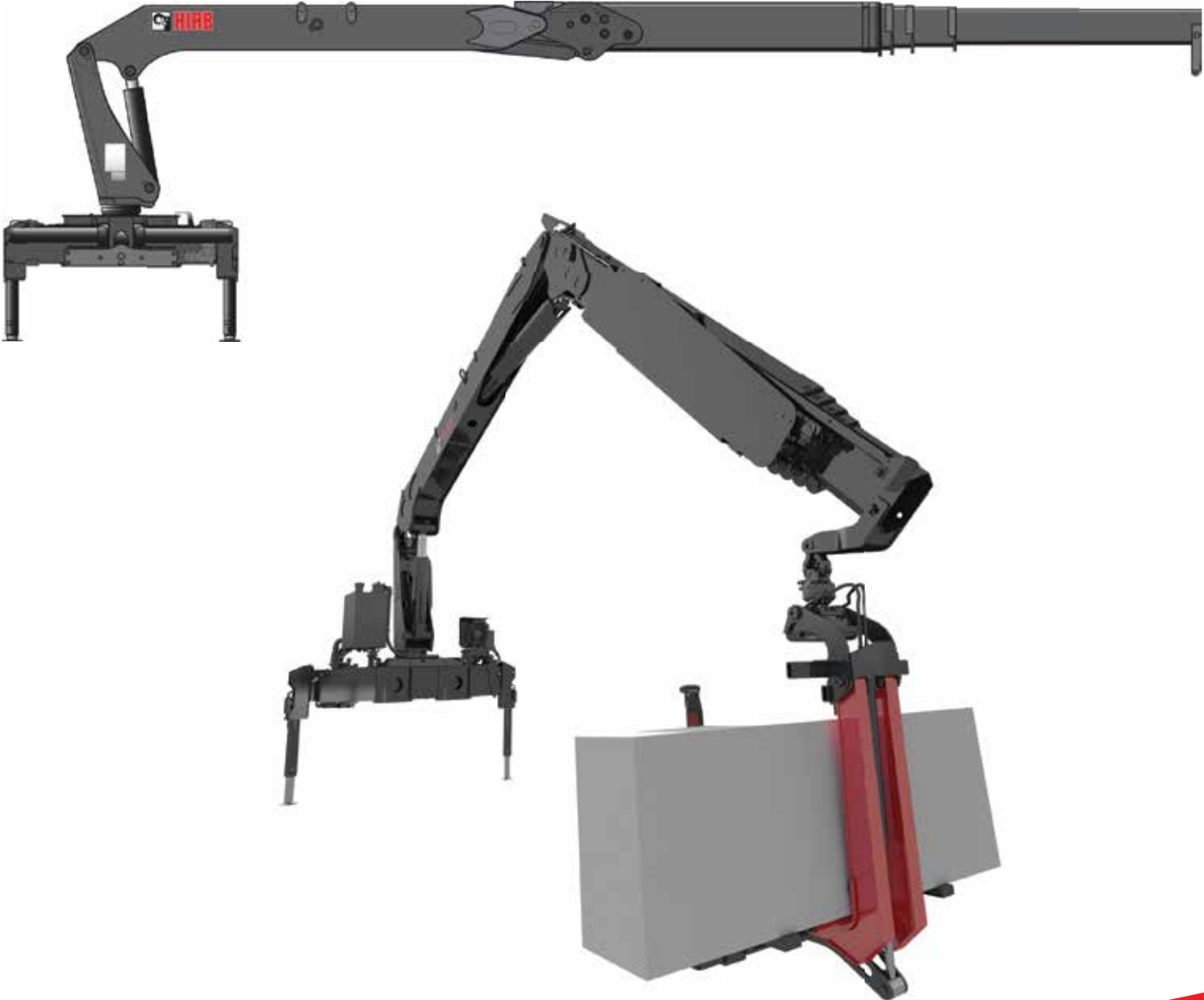


HIAB K-HIPRO 425-4

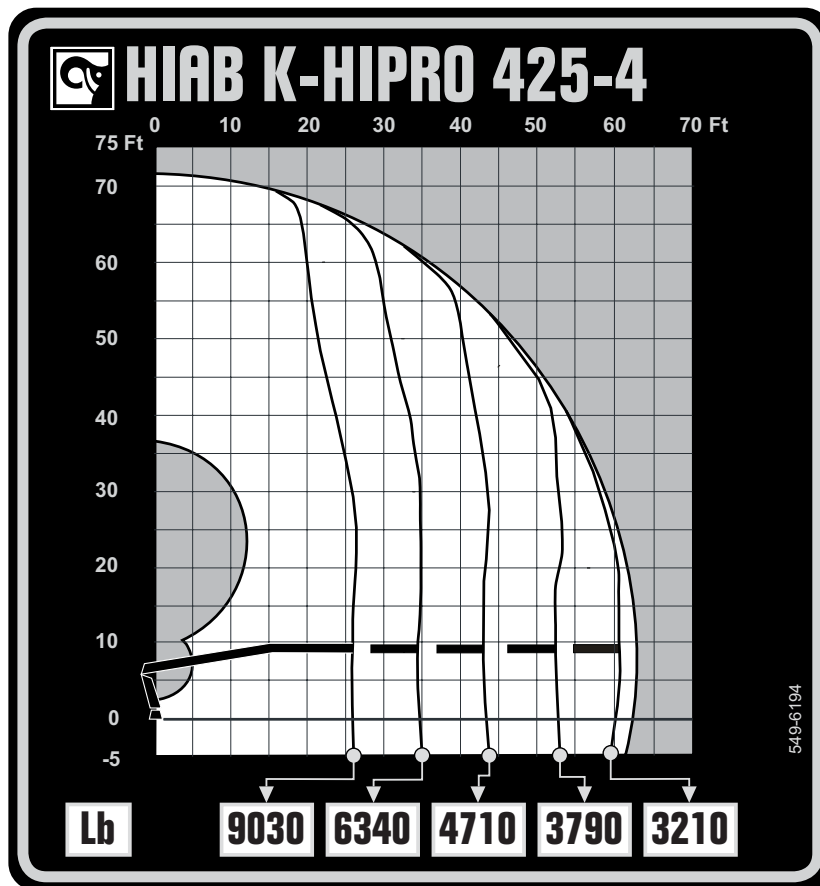
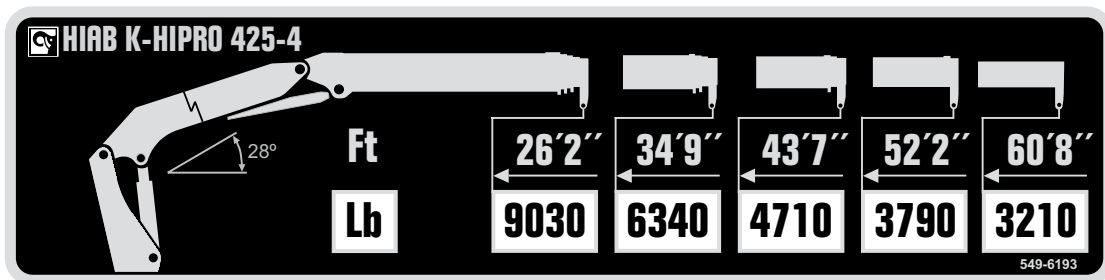
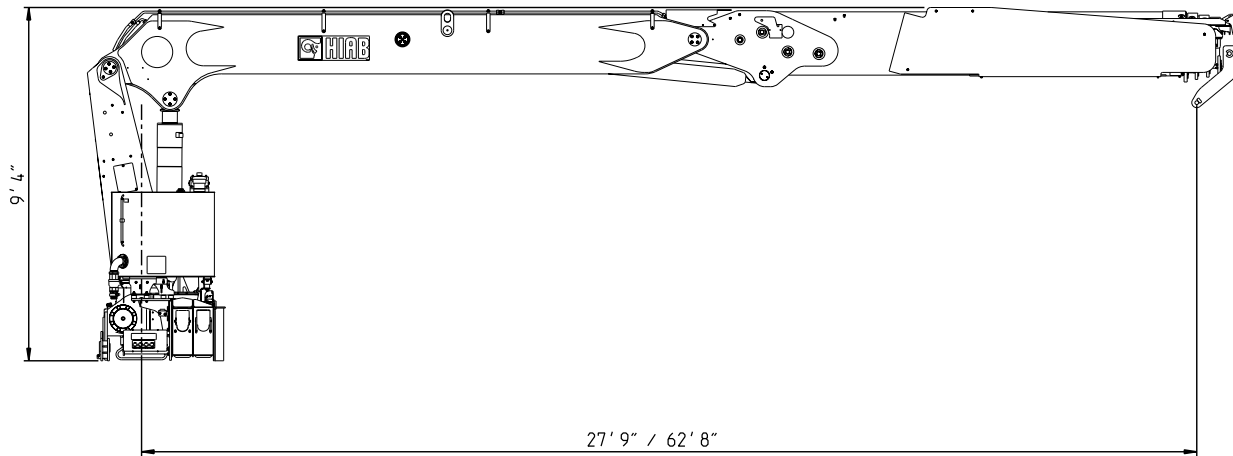


HIAB K-HIPRO 425-4 BASIC DATA

TECHNICAL DATA		K-HIPRO 425-4
Lifting capacity, max.		245900 ft-lbs
Hydraulic outreach, standard		62' 8"
Hydraulic boom extension		34' 11"
Extension cylinder pulling force		10100 lbf
Extension cylinder pushing force		11200 lbf
Lifting height above installation level, hydr.		71' 4"
Outreach-lifting capacity, standard		26' 2" - 9030 lbs 34' 9" - 6340 lbs 43' 7" - 4710 lbs 52' 2" - 3790 lbs 60' 8" - 3210 lbs
Rec. oil flow	Fixed pump	21 - 24 gal./min.
	Variable pump	21 - 32 gal./min.
Power needed at rec. oil flow	Fixed pump	52 - 59 hp
	Variable pump	52 - 78 hp
Working pressure		5151 psi
Oil in tank		42 gal
Tank capacity		54 gal
Slewing angle		460 °
Max. Slope viable at full capacity		4.7 °
Slewing speed		12 %s
Height with horizontal boom		9' 3"
Height in parking position		8' 4"
Width in parking position		8' 2"
Installation space needed		42"
Basic crane without stabiliser system		10538 lbs
Stabiliser equipment (including support legs)		1378 lbs
Frame attachments		258 lbs
Stabiliser extensions spread		23' 0"

This table show one example of a model and represents some of all options available. With the opportunity to configure your crane, we can provide you with a crane perfectly tailored to your needs. Please contact your local dealer for more information and the exact data on the variety of options we can offer.

HIAB K-HIPRO 425-4



BUILT TO PERFORM

Hiab is the world's leading provider of on-road load handling equipment. Customer satisfaction is the first priority for us. Hiab's product range includes HIAB loader cranes, JONSERED recycling and forestry cranes, LOGLIFT forestry cranes, MOFFETT truck mounted forklifts and MULTILIFT demountables, as well as DEL, WALTCO and ZEPRO tail lifts.

hiab.com

Hiab is part of Cargotec.

cargotec.com



© BD-KHIPPO425-EN-US_170925



hiab.com