

JONSERED 1088S

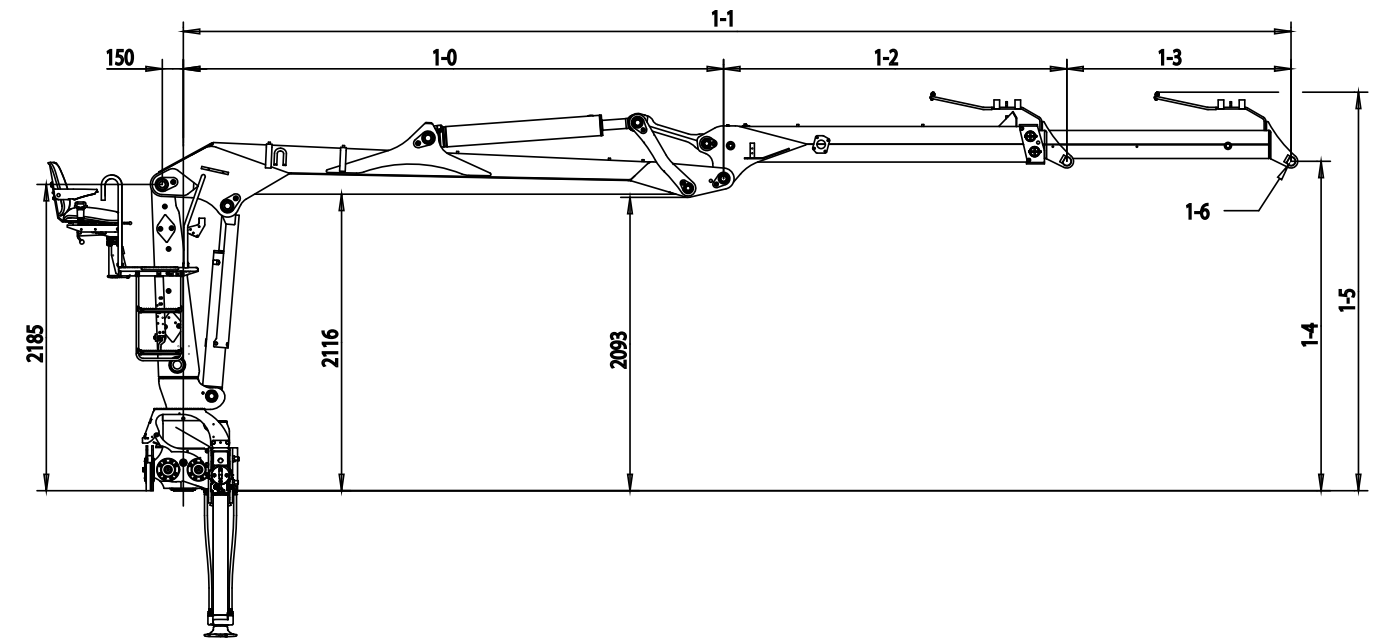


JONSERED 1088S BASIC DATA

Technical data	J1088S 79	J1088S 83	J1088S 84	J1088S 88	J1088S 96	J1088S 101
Max. lifting capacity (kNm)	110	109	107	106	103	99
Hydraulic outreach* (m)	7.9	8.3	8.4	8.8	9.6	10.1
Number of extensions	1	1	1	1	2	2
Outreach - lifting capacity, standard (m - kg)	3.0 - 3100	3.0 - 3100	3.0 - 3350	3.0 - 3150	3.0 - 3200	3.0 - 3250
	4.0 - 2650	4.0 - 2600	4.0 - 2600	4.0 - 2550	4.0 - 2460	4.0 - 2420
	5.0 - 2200	5.0 - 2160	5.0 - 2140	5.0 - 2100	5.0 - 2040	5.0 - 1960
	6.0 - 1880	6.0 - 1860	6.0 - 1820	6.0 - 1800	6.0 - 1720	6.0 - 1660
	7.0 - 1600	7.0 - 1580	7.0 - 1560	7.0 - 1540	7.0 - 1460	7.0 - 1420
	7.9 - 1400	8.3 - 1300	8.4 - 1260	8.0 - 1340	8.0 - 1280	8.0 - 1220
				8.8 - 1180	9.0 - 1120	9.0 - 1080
Slewing system	Double					
Slewing angle (°)	425					
Slewing torque, gross (kNm)	26.3					
Max. working pressure (MPa)	23					
Recommended oil flow – fixed pump (l/min), 1-pump	80					
Recommended oil flow – fixed pump (l/min), 2-pump	2x70-80					
Min. recommended oil flow – variable displacement pump (l/min)	170					
Weight - High seat crane with standard stabilizer (kg)*	2040	2050	2060	2080	2220	2250
Weight - Cabin crane with standard stabilizer (kg)*	2450	2460	2470	2490	2630	2660

*) Weight with fixed pump system, oil weight included

Side view



Model	1-0	1-1 min	1-1 max	1-2	1-3	1-4	1-5	1-6
79	3856	6368	7949	2513	1580	2348	2692	Ø40, B=184
83	3856	6556	8306	2700	1750	2348	2692	Ø40, B=184
84	4355	6867	8448	2513	1580	2350	2692	Ø40, B=184
88	4355	7055	8805	2700	1750	2350	2692	Ø40, B=184
96	3856	6446	9596	2590	3150	2379	2742	Ø40, B=184
101	4355	6945	10095	2590	3150	2381	2744	Ø40, B=184

For more information,
please visit us at www.hiab.com



BUILT TO PERFORM

Hiab is the world's leading provider of on-road load handling equipment. Customer satisfaction is the first priority for us. Hiab's product range includes HIAB loader cranes, JONSERED recycling and forestry cranes, LOGLIFT forestry cranes, MOFFETT truck mounted forklifts and MULTILIFT demountables, as well as DEL, WALTCO and ZEPRO tail lifts.

hiab.com

Hiab is part of Cargotec.

cargotec.com

Disclaimer. We reserve the right to make changes. Illustrations, drawings and data are not always in accordance with the latest version or standard model in production. The models in the pictures may present special equipment or colours.