

Hiab Loglift 96S

Capacity 10 tm





Hiab Loglift 96S at its best



Hiab Loglift 96S

96S – a tailor-made lightweight

The Hiab Loglift 96S is available with two different outreaches: 7.9 metres with single extension or 9.7 metres with double telescopic extensions for extra reach and speed.

D-link

An outer boom link provides better lifting capacity close to the base and evens out the angular velocity of the boom tip, resulting in smooth and precise performance. It also prevents capacity loss when working with an extended second boom. The system absorbs pressure peaks and shocks during timber handling making the crane easy to work with.



Single rack slewing

Single rack slewing is light and enables you to increase payloads. The design provides torque and speed which are more than sufficient for all applications. Slewing is effectively dampened in the outer positions by means of an end cushion. The reliable design keeps productivity high and minimizes maintenance costs. Rack and pinion slewing provides reliable operation even on inclines or slopes.

Three-point bridge

With the three-point bridge the driving characteristics of the truck are only minimally affected by the crane, so that riding in the truck cabin remains a smooth and comfortable experience. In addition the service life of both truck and crane is maximized.

Swivelling couplings

Swivelling couplings increase the lifetime of hydraulic hoses. They can move more freely when the crane rotates which reduces wear. This means you spend less time on repairs and have lower maintenance costs and increased uptime.

Electronic warning and stop system

An electronic warning and stop system provides safety. The system contains a crane load indicator which informs you when the crane has reached 90% and 100% rated load levels. These features help you to improve the manoeuvring efficiency and stability.

Oil bath

To keep the slewing mechanism immersed in oil is a prerequisite in the heavy duty type of work that our cranes perform. The oil bath provides smooth and precise slewing and reduces wear on the mechanism, keeping repair and service costs to a minimum.

Casted steel base

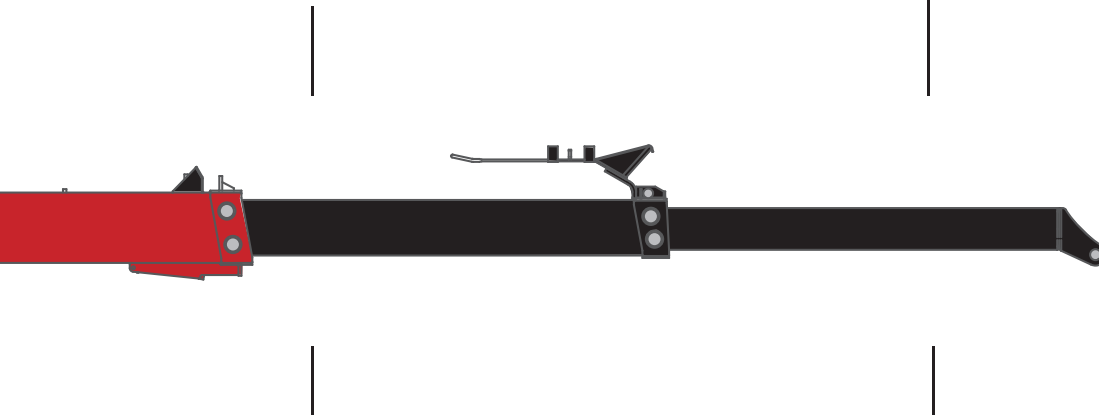
The base keeps the column in position and connects it to the stabilizer beam. In addition to carrying the entire weight of the crane it also hosts the slewing mechanism. This places stringent requirements on the structure of bases. High quality cast steel bases are very sturdy since strain is evenly distributed. Casting is carried out in a quality controlled process to ensure strength.

Extra working lights

Extra working lights improve safety. The standard halogen bulb lights up immediately when turned on and has a soft, yellow light – whereas the Xenon bulb is more powerful and lasts longer. Either type of extra working lights will improve productivity and are very helpful when handling loads in dark conditions. Advanced LED lights available as an option.

Side supports for stability

Side supports, fitted on each boom extension, stabilize the boom laterally and minimize play.



Internal hose routing

All hydraulic hoses providing oil to the boom tip are routed inside the second boom. Internal routing is standard. Internal hose routing for hydraulic load weighing device is optional.

JIC couplings

With JIC couplings the time it takes to service a crane is shorter. No additional parts or packing are needed, leading to secure coupling with mechanical tightening only. The service intervals are longer, keeping maintenance costs down.



Features and benefits

You either control the Hiab Loglift 96S from a high seat (mechanical controlling) or from a cabin (mechanical or electric controlling). If you go for the latter, i.e. cabin with electric controls – for instance Cabin 912 with TimberTronics control system you may even customize hydraulic functions anyhow you want. Perhaps you like the slewing function to start gently yet stop quickly. Easily done, all it takes is to push the display a few times. What's more – TimberTronics has a built in weighing function.

S-boom system

Fast load cycles are especially important in recycling and timber handling. Such operations also require a boom system that endures the strain of repetitive load cycles day in, day out. The S-boom system can be customized for different outreaches. A S-boom crane can be parked stretched out over the load or platform, or over the truck cab.

Internal hose routing (optional)

The hydraulic hoses are well protected within the boom system. This keeps maintenance costs down and increases productivity. The highly wear resistant hoses have an impressively long service life and are easy to change. Two functions can be routed to the boom tip, making sure you can use the tools required for your application.

Automatic stabilizer beam lock

Using hydraulic stabilizer extension beam locks to secure the beam for transport is fast and easy, and requires no manual handling. The beam is automatically locked in the right position by means of a check valve. This is a straightforward solution that adds to the overall safety.

Extra large footplates (optional)

Extra wide circular footplates are available as an accessory. These are useful when the crane has to be stabilized on an area where the surface has to be protected, for example asphalt, or when the ground is unstable.

High seat

The high seat is comfortable, ergonomic and easy to access via its spacious steps. The seat can be adjusted upwards, downwards, forwards and backwards – enabling you to find the perfect seating position for your body. You get an excellent view of the working area with a minimum of blind angles. The control valve is strategically tucked in low, underneath the seat. This unique solution improves the driver's safety, takes away disturbing heat, and minimizes the turning radius.

Cabin (optional)

Good view in all directions. Easy access to buttons and levers. Spacious interior and comfortable seat with armrests. Smart extra options. Neat, modern design. Fitted with a control system that makes it possible to adjust the crane to suit the way you drive, including integrated weighing and a straightforward fault diagnosis system. If this matches your needs then the C912 could be the cabin of your choice.

Cabin extras

Cabin extras include: Electrical joysticks, air conditioning, radio and CD player, 12 V power outlet, extra lights underneath cabin, diesel or water heating or air fan, and, for added safety, flashing beacon and seat belt.



Accessories complete your solution

Appropriate accessories improve flexibility and productivity. Having the right accessories is an ideal way to increase speed and efficiency. Before you decide which tools you need, take some time to think over your operations – what services you want to be able to offer your customers.

Timber grapples

Hiab timber grapples are designed for maximized efficiency and demanding work. There are numerous models, each suited to different applications.

Weighing systems

Accurate weighing of loads may be essential for running your business. This helps you maximize payloads and profitability – while at the same time prevent overloading. A USB stick can be connected to the system making it easy to provide weight and pricing to your customer. The weighing system can be installed both at the high seat and in the cabin. It is simple to use, quick to fit, and very reliable.

Central lubrication

With central lubrication there is no need for manual greasing. A central reservoir provides a precise supply of lubricant to each place where friction may occur; and it does so when the crane is in operation. Continuous lubrication prevents expensive and unplanned downtimes, minimises wear and prolongs service life.



Learn more about us

Hiab is the global market-leading brand in on-road load handling solutions. Customer-driven Hiab on-road load handling products and solutions are utilised in moving goods and materials on the road, for example in construction sites, forests, industry, waste handling, recycling and by the defence forces.

Sales and Service network

Cargotec's global network offers extensive services that ensure the continuous, reliable and sustainable performance of our equipment. We have the most comprehensive distribution network in the industry, supporting all Hiab's customers – through sales companies in 23 countries and 65 independent distribution partners, giving us more than 1500 sales and service outlets. This service network guarantees that we are always close to you, ready to give advice on applications and provide service and spare parts.

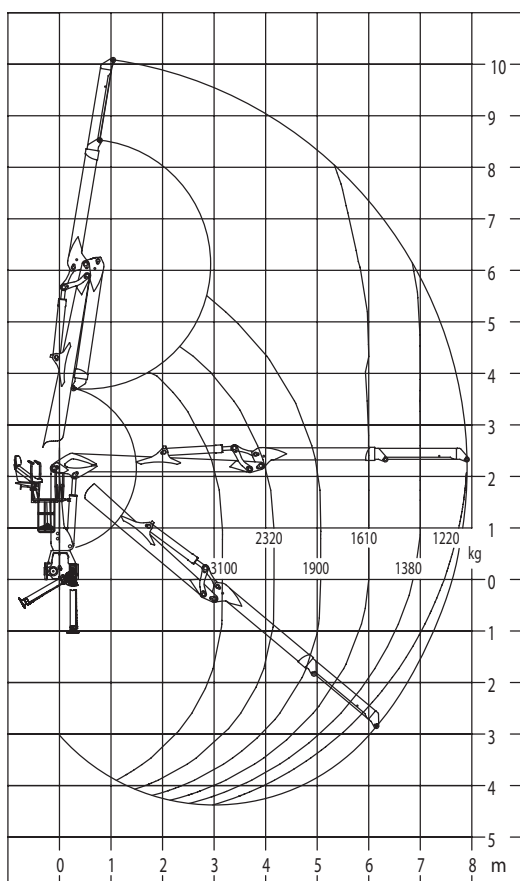


Hiab Loglift 96S Basic data

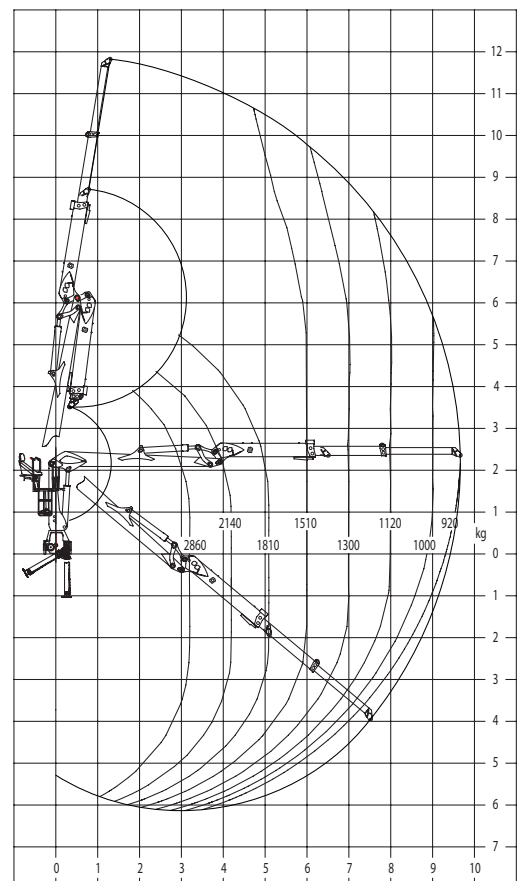
Technical data

	S79	S97
Max. lifting capacity, net (kNm)	95	89
Max outreach (m)	7.9	9.7
Hydraulic boom extensions (m)	1.6	3.2
Outreach / lifting capacity (m/kg)	3.0 / 3100	3.0 / 2860
	4.0 / 2320	4.0 / 2140
	5.0 / 1900	5.0 / 1810
	6.0 / 1610	6.0 / 1510
	7.0 / 1380	7.0 / 1300
	7.9 / 1220	8.0 / 1120
	-	9.0 / 1000
	-	9.65 / 920
Recommended oil flow – fixed pump (l/min max)	80-90 / 2 x 70-80	80-90 / 2 x 70-80
Recommended oil flow – variable displacement pump (l/min max)	160	160
Max. working pressure (MPa)	24.0	24.0
Slewing system	Single	Single
Slewing angle (°)	415	415
Slewing torque, gross (kNm)	22.8	22.8
Weight without oil and grapple (kg)	1835	2025

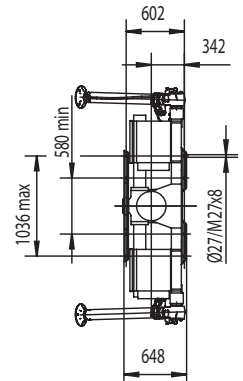
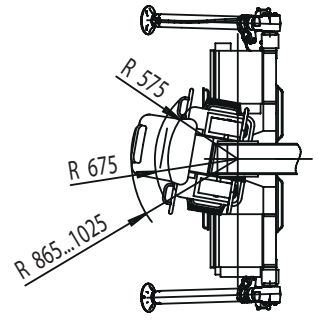
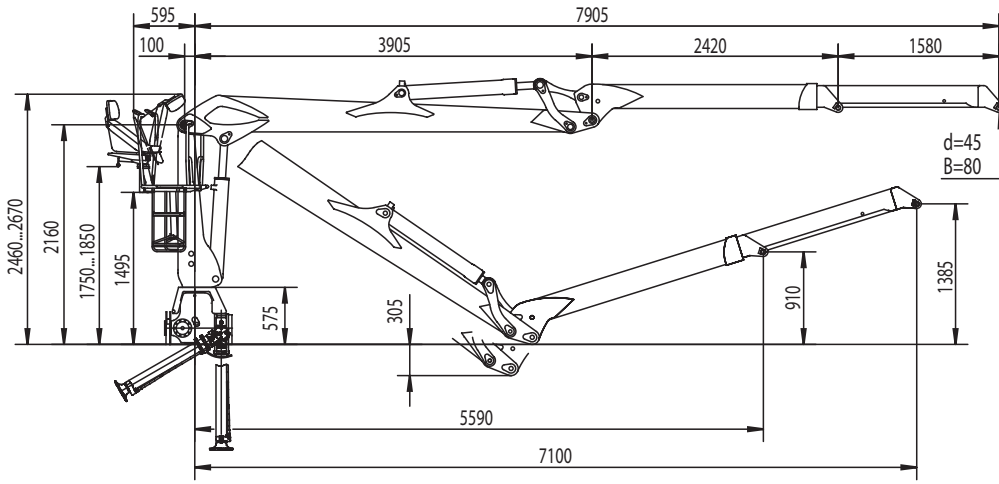
Hiab Loglift 96S79



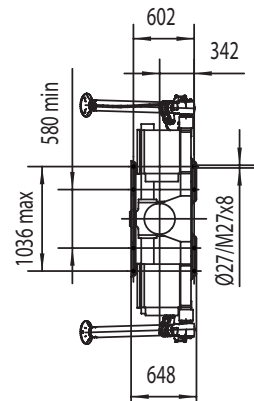
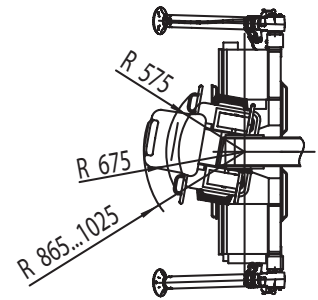
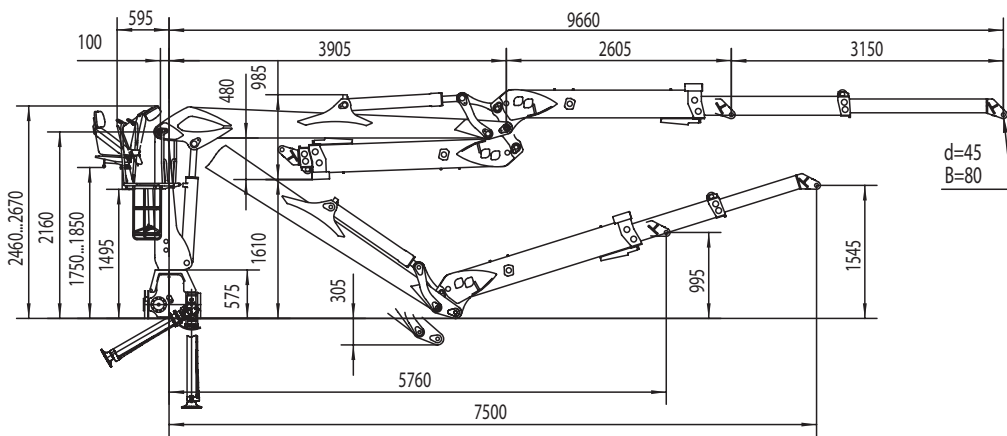
Hiab Loglift 96S97



Hiab Loglift 96S79



Hiab Loglift 96S97



Disclaimer. We reserve the right to make changes. Illustrations, drawings and data are not always in accordance with the latest version or standard model in production. The models in the pictures may present special equipment or colours.

Cargotec improves the efficiency of cargo flows on land and at sea - wherever cargo is on the move. Cargotec's daughter brands, Hiab, Kalmar and MacGregor are recognised leaders in cargo and load handling solutions around the world. Cargotec's global network is positioned close to customers and offers extensive services that ensure the continuous, reliable and sustainable performance of equipment. www.cargotec.com

