

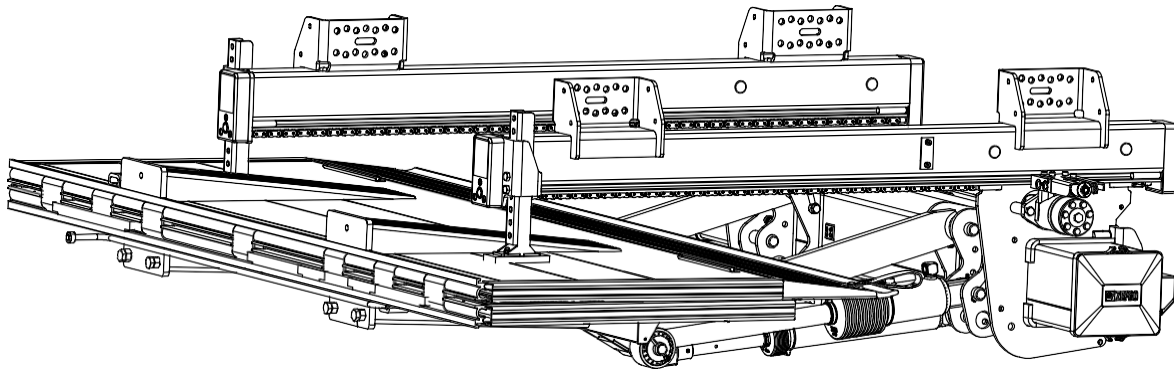
---

# Parts Manual

---

## Liftgate ZS MK2

79013TL



2023-05-31

# Spare parts book

## Table of contents

**Model: ZS-MK2 ZS-MK2**

### **Chapter 1: Frame**

ZS2LiftChassis	Page 2
ZS2Sliderails	Page 4
ZS2Drivesystem	Page 6
ZS2Mountingbrack	Page 8

### **Chapter 2. 1: Cylinders**

ZS2Liftcylinders	Page 10
ZS2Tiltcylinder	Page 12

### **Chapter 2. 2: Valves**

ZS2Elecvalve	Page 14
ZS2Mechvalve	Page 16
ZS2Drivemotorval	Page 18

### **Chapter 2. 3: Hoses**

ZS2Hoses	Page 20
ZS2slidehoses	Page 22

### **Chapter 2. 4: Pump parts**

Pumpparts&contr	Page 24
ZS2Pumpunit	Page 26
ZS2Pumpvalveblo	Page 28

### **Chapter 3: Platform**

ZS2alumplatform	Page 30
ZS2platformbrack	Page 32
ZS2Supportwheel	Page 34

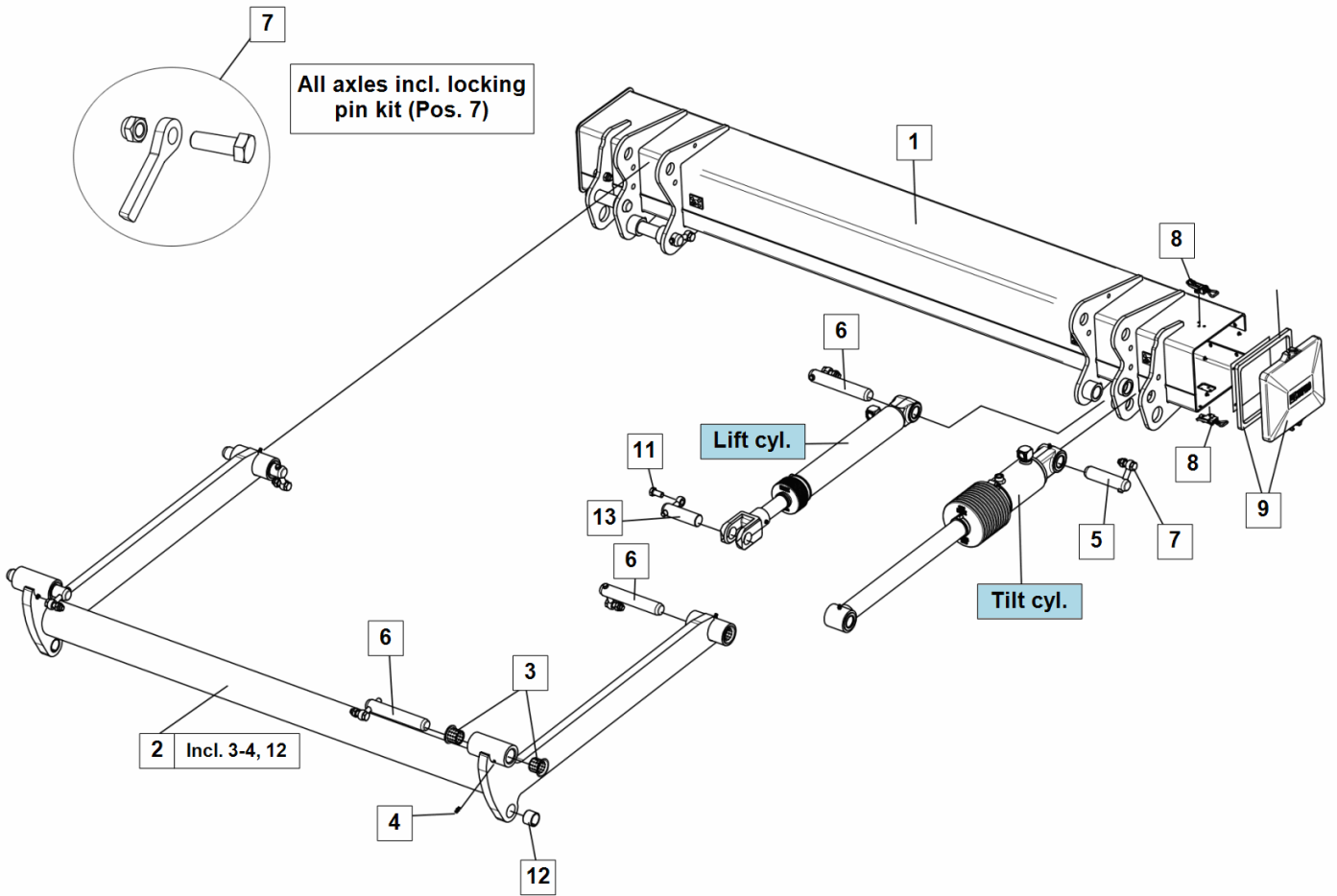
### **Chapter 4: Controls**

insidecontroller	Page 36
ZScontrol	Page 38

# Model: ZS-MK2 ZS-MK2

## Chapter 1 Frame

ZS2LiftChassis -



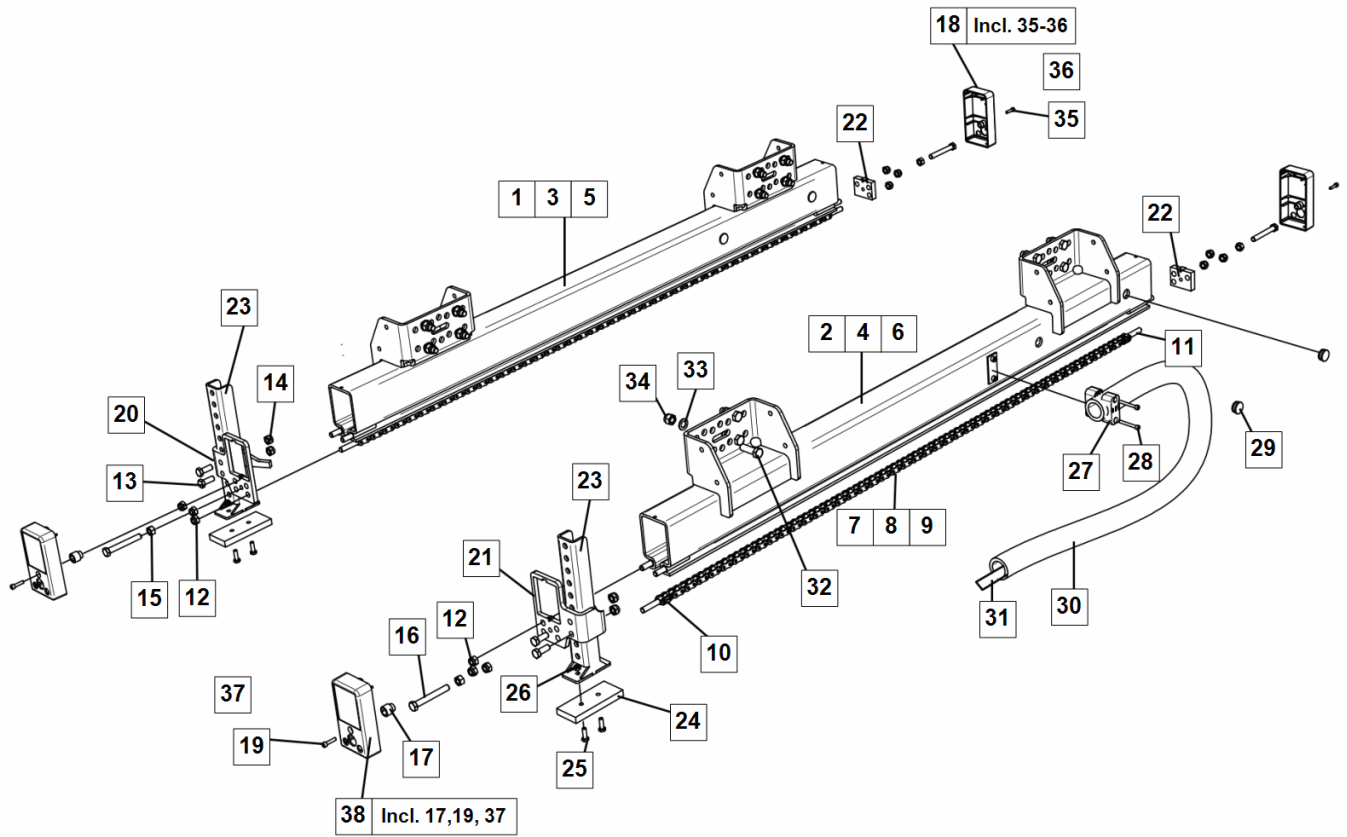
EM-00521

Pos	Part nr	Description	Quantity
1	78486TL	SUPPORT FRAME CPL. ZS MK2	1
1	78806TL	SUPPORT FRAME CPL. ZS MK2 GALV	1
2	78556TL	LIFTARM SOLID 870 CPL	1
2	78770TL	LIFTARM SOLID 870 ZS GALV CPL	1
3	33614TL	Bushing set	4
4	21376TL	Grease nipple M6	4
5	34335TL	Axle cpl. Ø30 L=124	4
6	34332TL	Axle cpl. Ø30 L=180	6
7	33808TL	Locking pin kit	10
8	34350TL	2 Lock	1
9	78865TL	END COVER CPL.	1
11	22279TL	Screw M12x25	1
12	23087TL	PLAIN BEARING 490-AB090-3025	1
13	34385TL	Axle cpl. Ø30 L=102	1

# Model: ZS-MK2 ZS-MK2

## Chapter 1 Frame

### ZS2Sliderails -



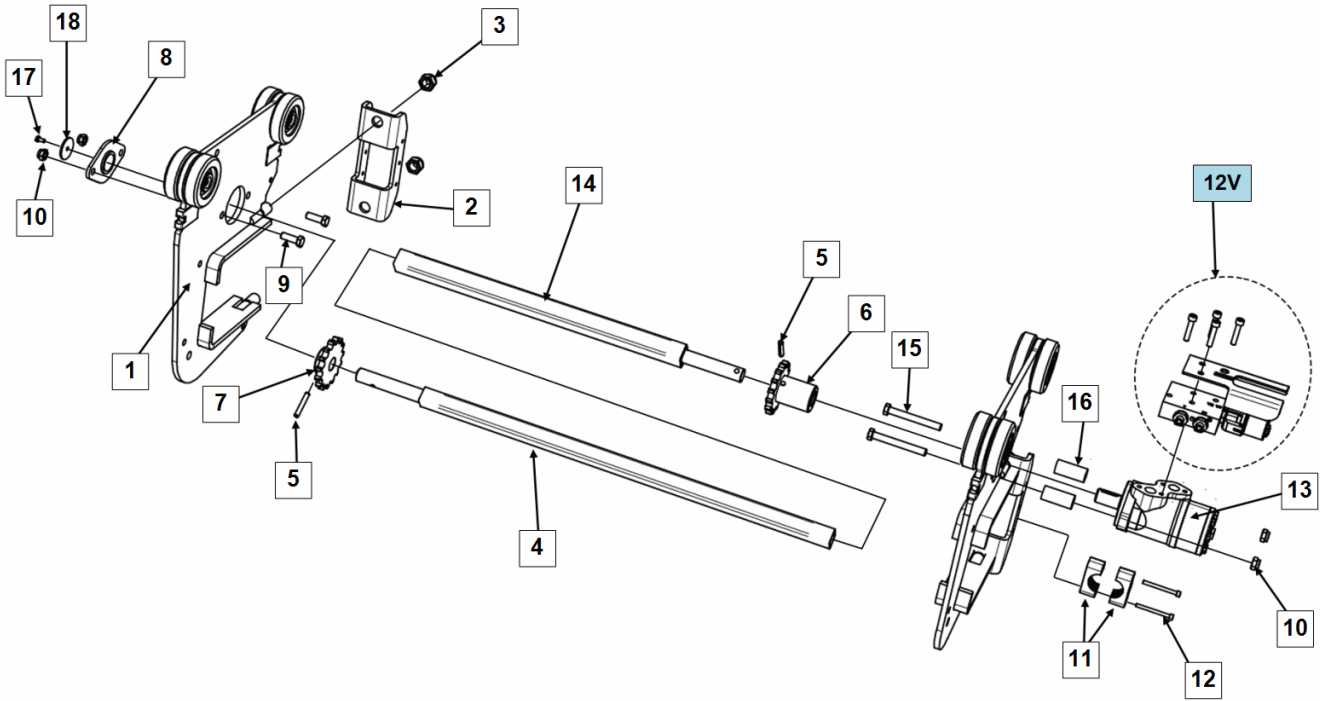
EM-00524

Pos	Part nr	Description	Quantity
1	78576TL	SLIDE PROFILE CPL. L=1590-L	1
2	78575TL	SLIDE PROFILE CPL. L=1590-R	1
3	78578TL	SLIDE PROFILE CPL. L=1700-L	1
4	78577TL	SLIDE PROFILE CPL. L=1700-R	1
5	78580TL	SLIDE PROFILE CPL. L=1850-L	1
6	78579TL	SLIDE PROFILE CPL. L=1850-R	1
7	54626TL	ROLLER CHAIN CPL 1590	2
8	54627TL	ROLLER CHAIN CPL 1700	2
9	53192TL	ROLLER CHAIN CPL 1850	2
10	20714TL	Chain lock	4
11	61621TL	Adjusting screw	4
12	21664TL	Nut M12	12
13	21973TL	Screw M12x30	4
14	21664TL	Nut M12	4
15	20984TL	Nut M12	4
16	22519TL	Screw M12x90	4
17	23086TL	SHIM	2
18	34623	PLASTIC COVER	2
19	23090TL	SCREW MC6S M6x35 FZB 8,8	1
20	78594TL	BRACKET PLATFORM STOP-L	1
21	78518TL	BRACKET PLATFORM STOP-R	1
22	78532TL	TENSION PLATE	2
23	78719TL	SUPPORT LEG	2
24	78718TL	PLASTIC BASE	2
25	22160TL	Screw M8x25	4
26	20403TL	Nut M8	4
27	22437TL	Clamp, green pair	1
28	22438TL	Screw M6x50	2
29	51663TL	Plastic guide	8
30	21644TL	Guard hose	1
31	22445TL	Plastic list 1100x25	1
32	64556TL	Screw M14x45 10.9	16
33	21226TL	Washer 15x26x2	16
34	21484TL	Nut M14	16
35	21867TL	Screw M6x30	1
36	21868TL	PLASTIC PLUG BLACK Ø30	2
37	78526TL	DECAL ELE.F. ZEPRO REFLECTIVE	2
38	34622		2

# Model: ZS-MK2 ZS-MK2

## Chapter 1 Frame

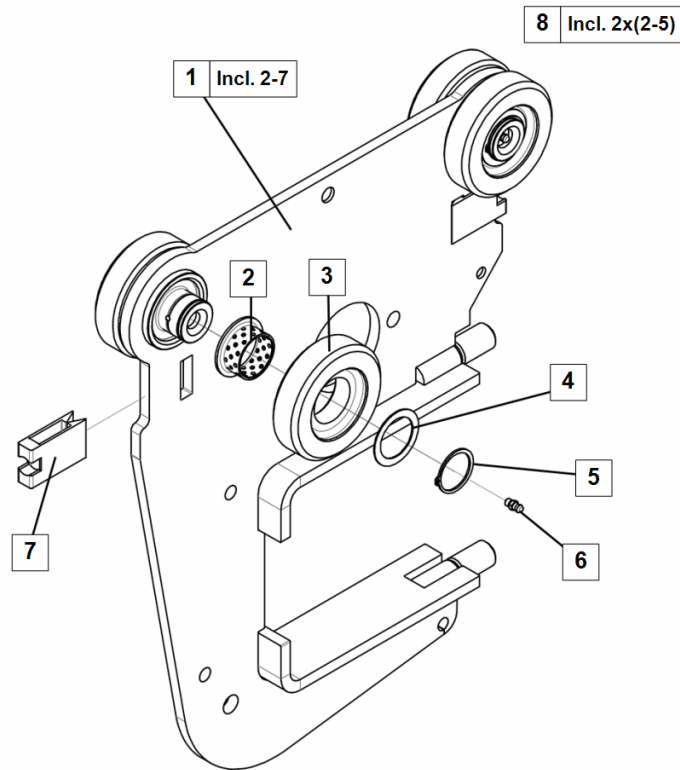
ZS2Drivesystem -



EM-00523

Pos	Part nr	Description	Quantity
1	78543TL	MOUNTING BRACK ZT/ZS MK2 CPL	1
2	75651TL	Bracket	1
3	20171TL	Nut M22	1
4	50735TL	Telescopic axle L=931 inside	1
5	20355TL	Dowel pin 8x50	1
6	52062TL	Sprocket, motor side	1
7	52064TL	Sprocket	1
8	69995TL	Clutch bearing cpl.	1
9	21311TL	Screw M12x35	1
10	21664TL	Nut M12	1
11	22437TL	Clamp, green pair	1
12	22438TL	Screw M6x50	1
13	20699TL	Hydraulic motor	1
14	66944TL	Telescopic axle L=696mm outside	1
15	21597TL	Screw M12x100	1
16	69942TL	Tube L=55	1
17	21563TL	Screw M6x14	1
18	66910TL	WASHER , TELESCOPIC AXLE	1



**Model: ZS-MK2 ZS-MK2**  
**Chapter 1 Frame****ZS2Mountingbracket -**

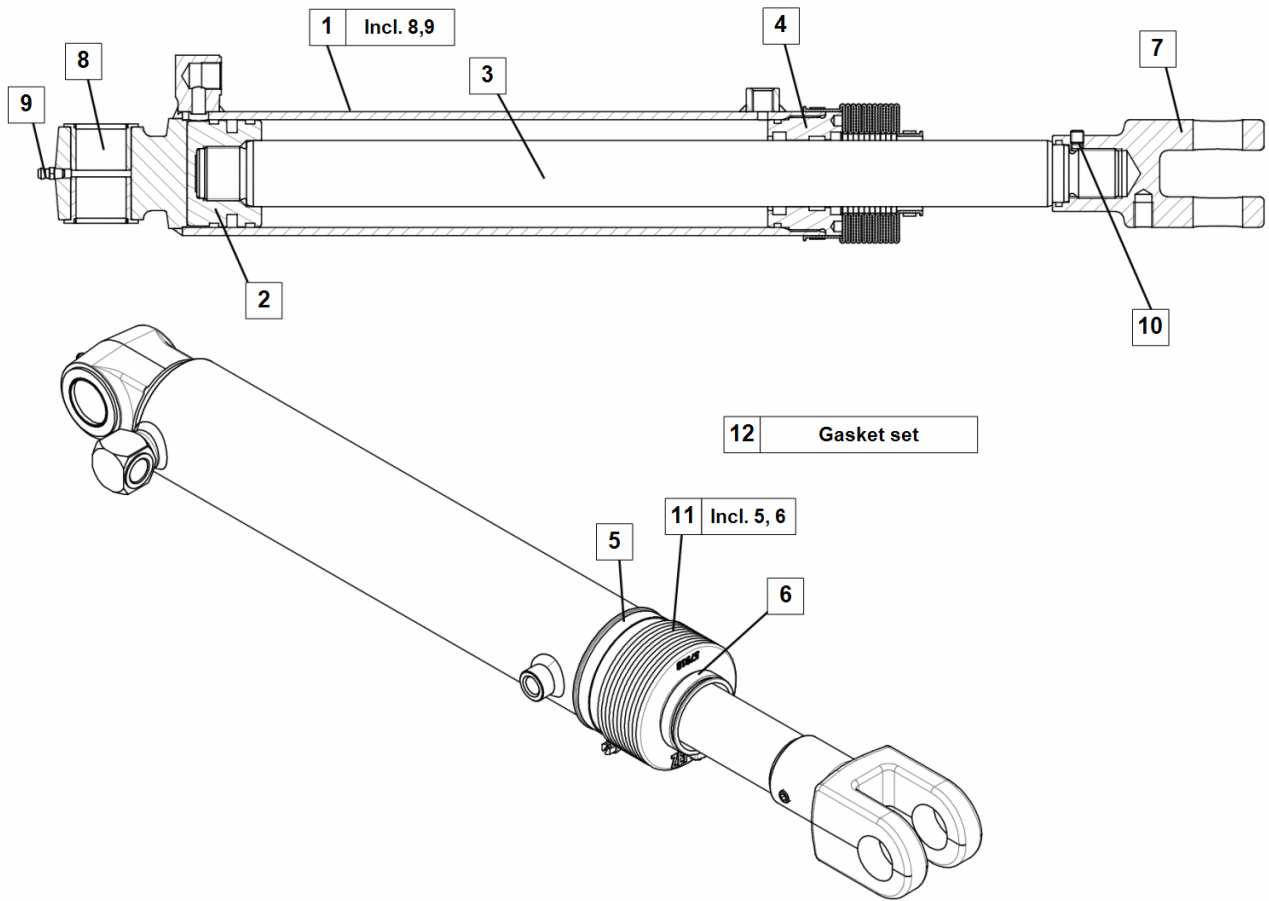
Z55388C

Pos	Part nr	Description	Quantity
1	78543TL	MOUNTING BRACK ZT/ZS MK2 CPL	1
1	78801TL	MOUNT BRACK ZT/ZS CPL ZINK	1
2	22131TL	PLAIN BEARING WF-WB 702	4
3	51873TL	WHEEL SZF	4
4	22132TL	WASHER DISTANS PS 35x45x1	4
5	22135TL	Snap ring	4
6	22102TL	Lubricant nipple M6	4
7	23097TL	WEAR PROTECTION	2
8	32496TL	Wheel 1 pair cpl	1

# Model: ZS-MK2 ZS-MK2

## Chapter 2. 1 Cylinders

ZS2Liftcylinders -



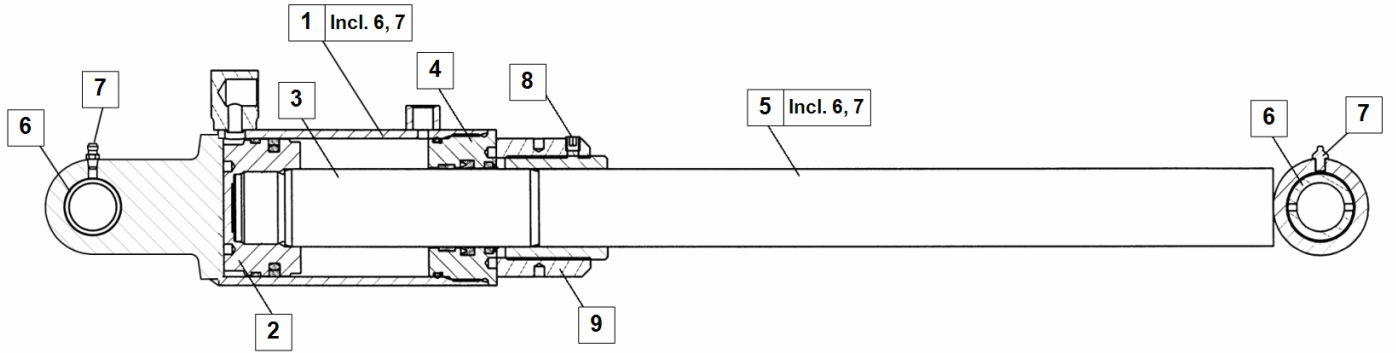
78509TL

Pos	Part nr	Description	Quantity
1	33498TL	Cylinder case cpl. 65-438	1
2	57209TL	Piston D=65/40	1
3	78506TL	PISTON ROD 40-557	1
4	57193TL	Cylindercover D=65/40	1
5	26609TL	Hose clamps	1
6	22000TL	Cable tie	1
7	78503TL	THREADED FORK ATTACHMENT	1
8	32863TL	Bushing set	2
9	21376TL	Grease nipple M6	2
10	33516TL	Stop screw	1
11	33620TL	Gaiter Ø55-70/35-45	1
12	32493TL	Gasket set D=65	1
	78509TL	LIFT CYLINDER 65/40-675	1

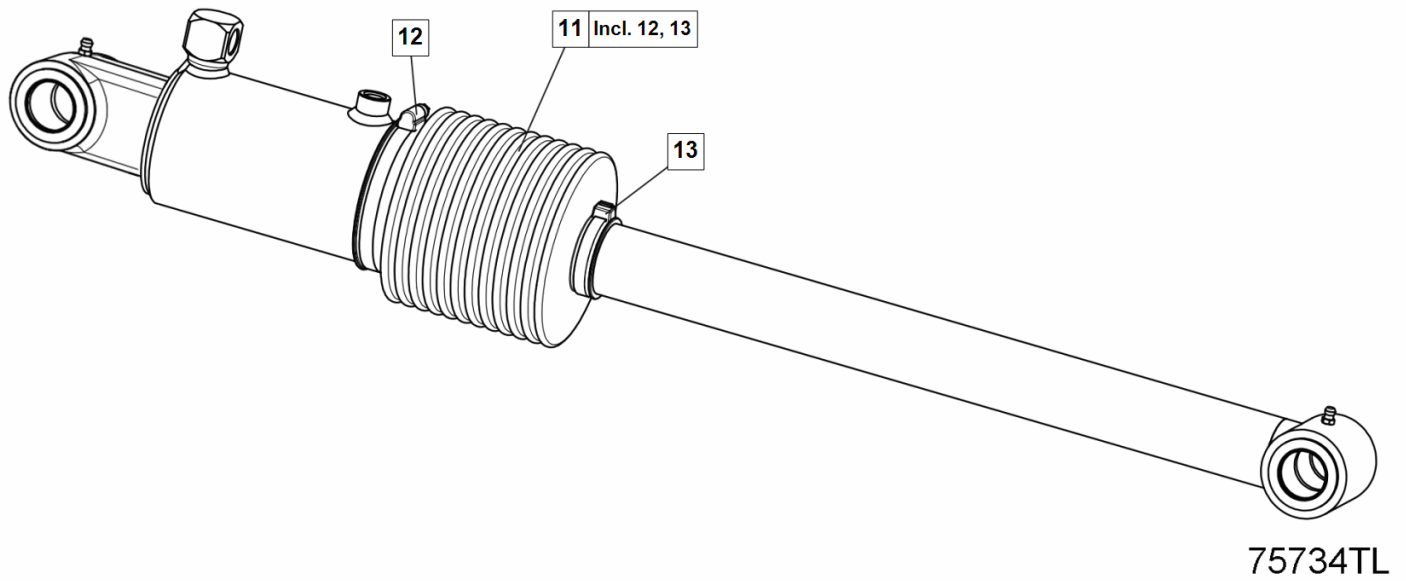
# Model: ZS-MK2 ZS-MK2

## Chapter 2. 1 Cylinders

### ZS2Tiltcylinder -



10 Gasket set

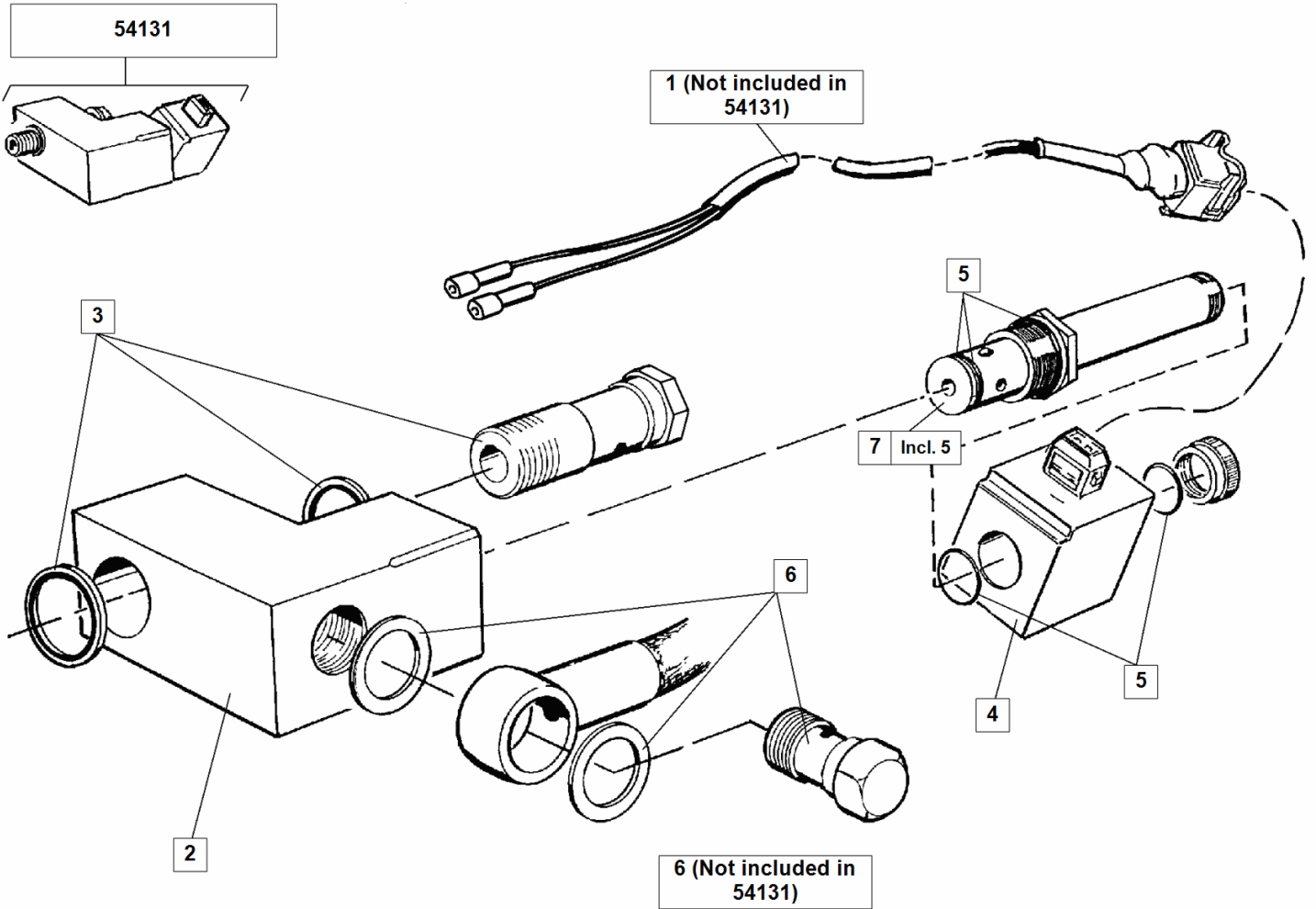


Pos	Part nr	Description	Quantity
0	75734TL	Tilt cylinder Ø80 (-155) Gaiter	1
1	34344TL	Cylinder case cpl. Ø80 L=238	1
2	32591TL	Piston D=80	1
3	73513TL	Piston rod 45-179	1
4	32593TL	Cylindercover D=80	1
5	32583TL	Pressure rod D=45 L=577	1
6	32724TL	Bushing set	1
7	21376TL	Grease nipple M6	1
8	33516TL	Stop screw	1
9	32595TL	Limit stop 80-55	1
10	32623TL	Gasket set D=80	1
11	33621TL	Gaiter Ø80-90/45	1
12	26612TL	Hose clamps	1
13	22000TL	Cable tie	1

# Model: ZS-MK2 ZS-MK2

## Chapter 2. 2 Valves

### ZS2Elecvalve -



54131

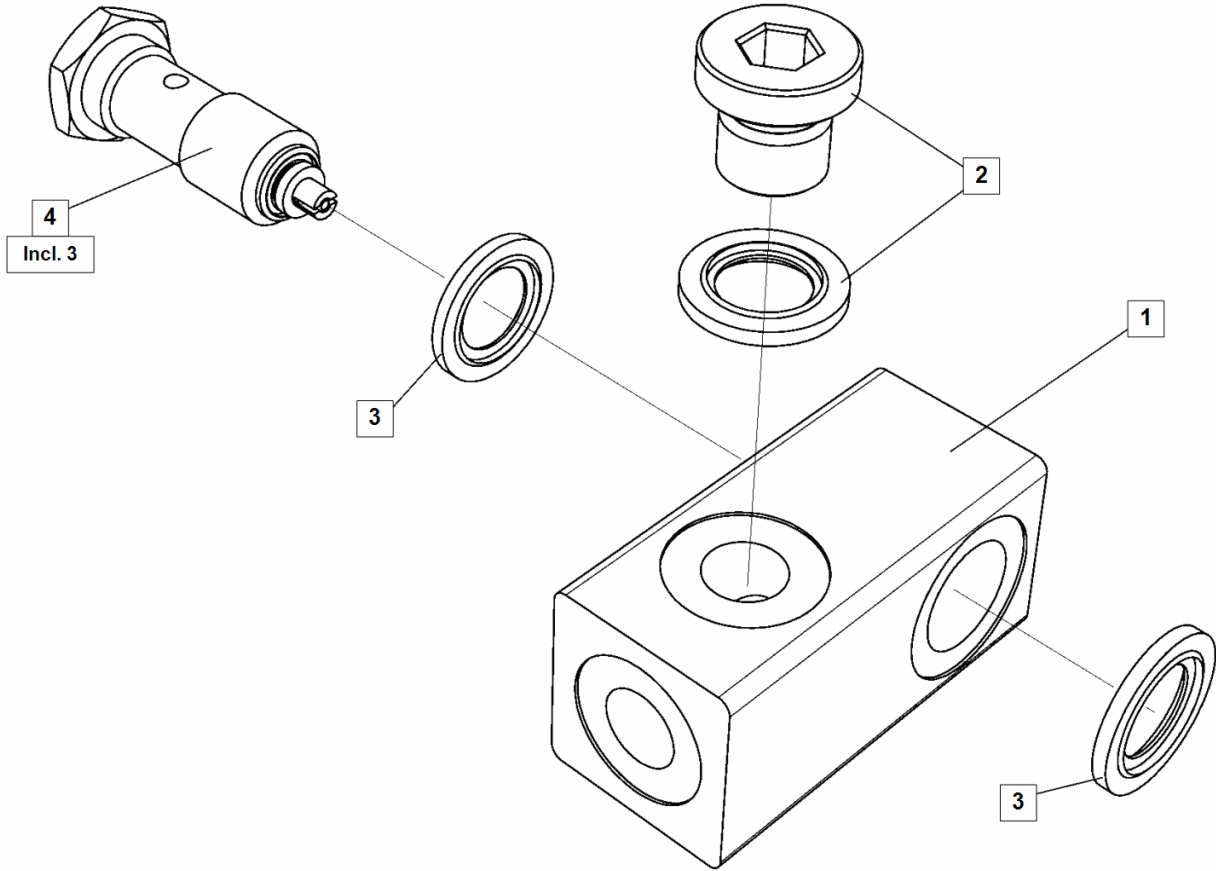
Pos	Part nr	Description	Quantity
0	54131TL	El. safety valve cpl. 12V tilt	1
1	54135TL	Cable set L=1800 white/blue	1
2	66752TL	Valve housing	1
3	31845TL	Swivel joint cpl.	1
4	21663TL	Magnet 12V AMP	1
5	31521TL	O-ring set f. valve	1
6	31174TL	Swivel joint cpl. D=1/4"	1
7	22199TL	Valve CE6	1



# Model: ZS-MK2 ZS-MK2

## Chapter 2. 2 Valves

ZS2Mechvalve -



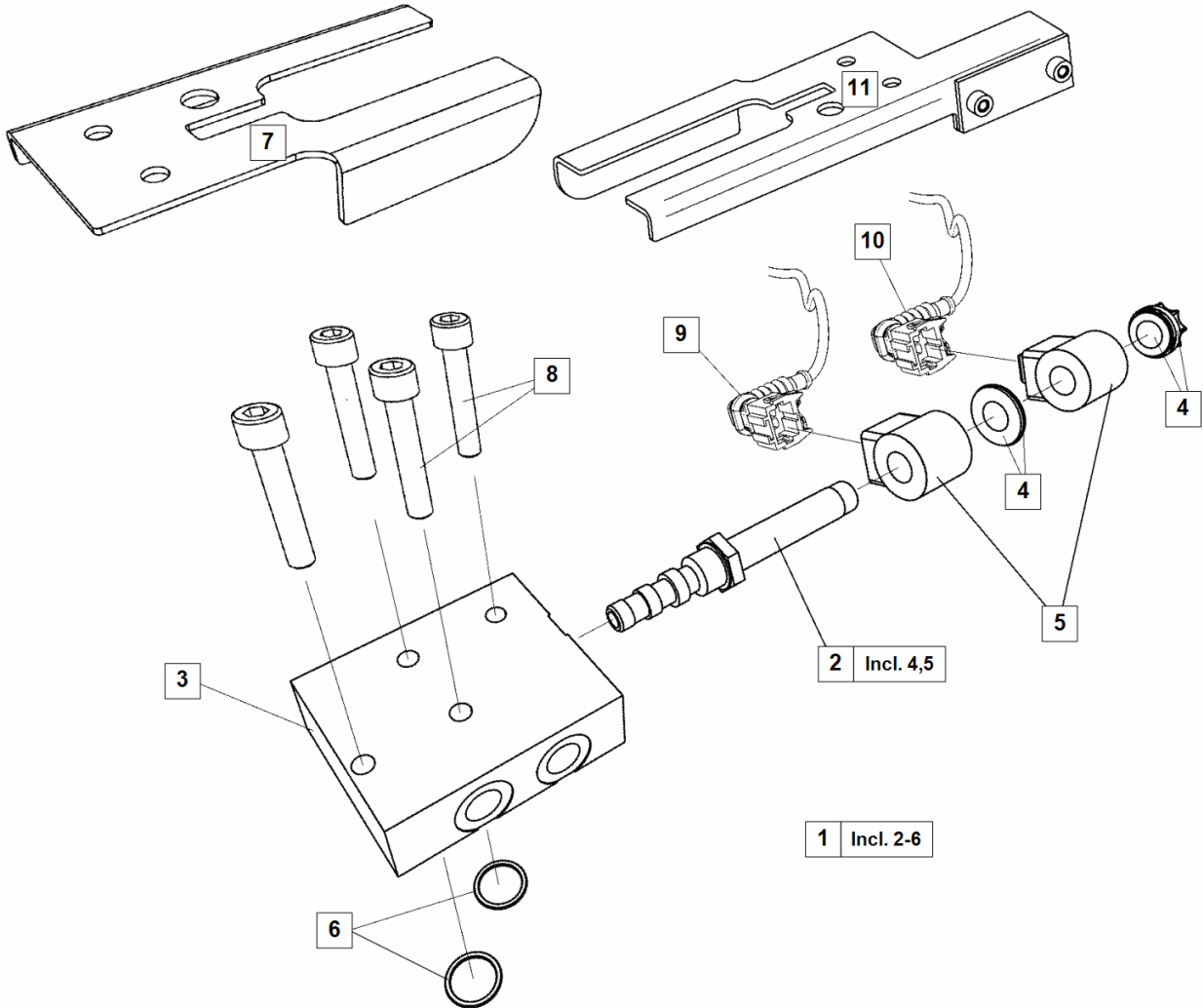
54368

Pos	Part nr	Description	Quantity
0	54368TL	Connection adapter, tilt cpl.	1
1	52263TL	Connection adapter	1
2	20515TL	Plug incl. washer	1
3	20516TL	Washer 3/8"	2
4	32373TL	Swivel joint cpl.	1

# Model: ZS-MK2 ZS-MK2

## Chapter 2. 2 Valves

### ZS2Drivemotorvalves -



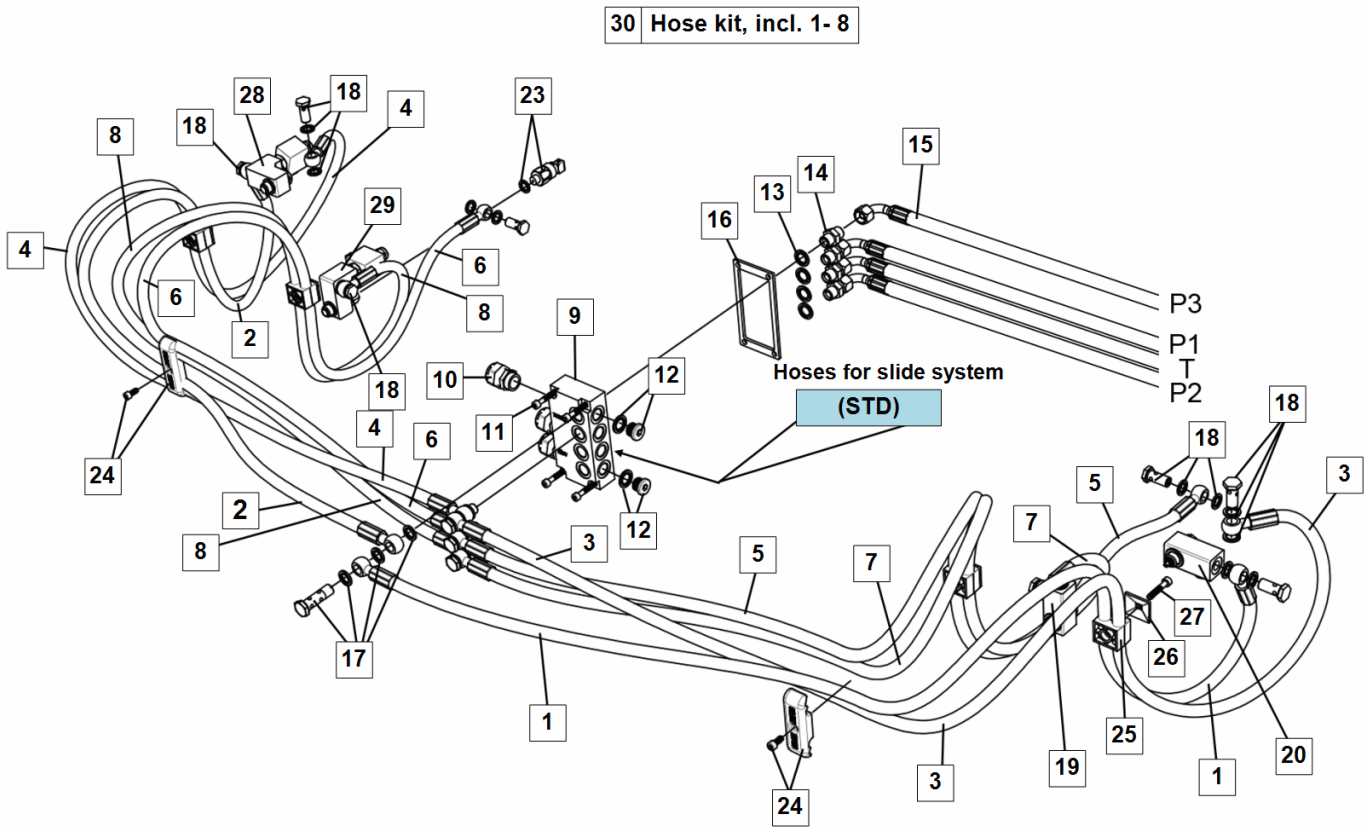
52193c

Pos	Part nr	Description	Quantity
1	52193TL	Valve system 12V	1
2	32470TL	Valve cpl. 12V	1
3	32547TL	Valve housing cpl.	1
4	32475TL	Gasket set for magnet	1
5	32472TL	Magnet 12V	2
6	32469TL	O-ring	2
7	52283TL	Valve cover ZD/ZS/ZT/ZSU/ZSI	1
8	21920TL	Screw M8x40	4
9	54139TL	CABLES EL. SAFETY VALVE L=1,4M	1
10	54140TL	Cable set L=1,3m White/grey	1
11	56487TL	Valve cover cpl. ZSS/ZTS	1

# Model: ZS-MK2 ZS-MK2

## Chapter 2. 3 Hoses

ZS2Hoses -



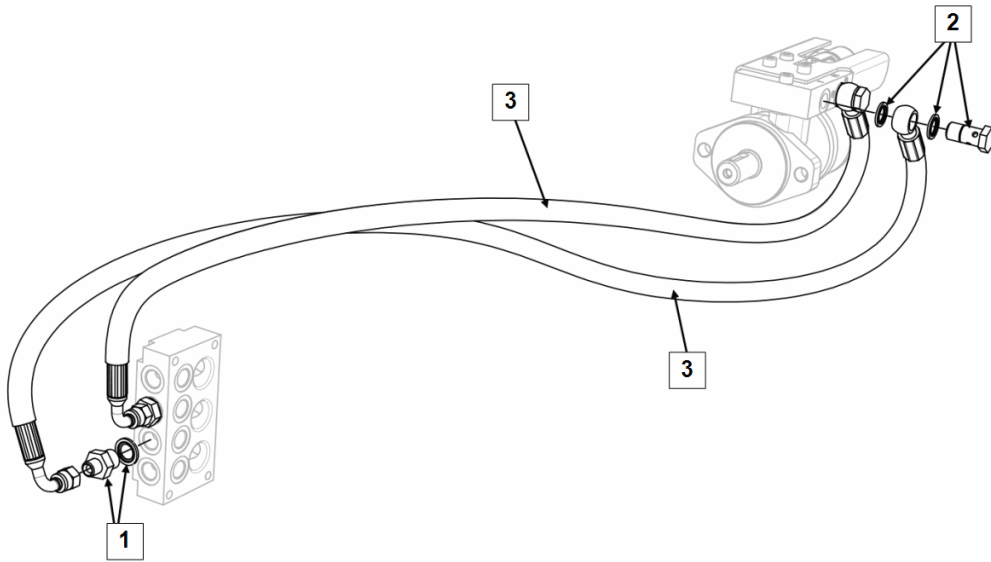
EM-00530

Pos	Part nr	Description	Quantity
1	23070TL	HYDR.HOSE 381-04 L=1685 T+ H	1
2	23069TL	HYDR.HOSE 381-04 L=1685 T+ V	1
3	23068TL	HYDR.HOSE 381-04 L=1810 T- H	1
4	23067TL	HYDR.HOSE 381-04 L=1810 T- V	1
5	23072TL	HYDR.HOSE 381-04 L=1640 L- H	1
6	23071TL	HYDR.HOSE 381-04 L=1640 L- V	1
7	23074TL	HYDR.HOSE 381-04 L=1690 L+ H	1
8	23073TL	HYDR.HOSE 381-04 L=1690 L+ V	1
9	75663TL	Hydr. hose block	1
10	21606TL	Cable seal PG 16	3
11	22880TL	Screw M6x35	4
12	34346TL	Plug 3/8" incl. Washer	2
13	20516TL	Washer 3/8"	12
14	20498TL	Adapter 3/8"-3/8"	4
15	22888TL	HYDR.HOSE 2KP 3/8"x1700	4
16	75680TL	Gasket	1
17	33048TL	Swivel joint cpl. 3/8" (3xBonded seal was	4
18	31174TL	Swivel joint cpl. D=1/4"	8
19	54367TL	Connection adapter, lift cpl.	1
20	54368TL	Connection adapter, tilt cpl.	1
23	33797TL	Pressure guard 60B incl. Cable amp. L=:	1
24	34357TL	Hose clamp cpl pair	1
25	22588TL	CLAMP 21-112/12-PP PAIR	4
26	20879TL	Cover plate	4
27	22880TL	Screw M6x35	4
28	54131TL	El. safety valve cpl. 12V tilt	1
29	58819TL	EL. SAFETY VALVE 12V LIFT	1

# Model: ZS-MK2 ZS-MK2

## Chapter 2. 3 Hoses

ZS2slidehoses -



EM-00528

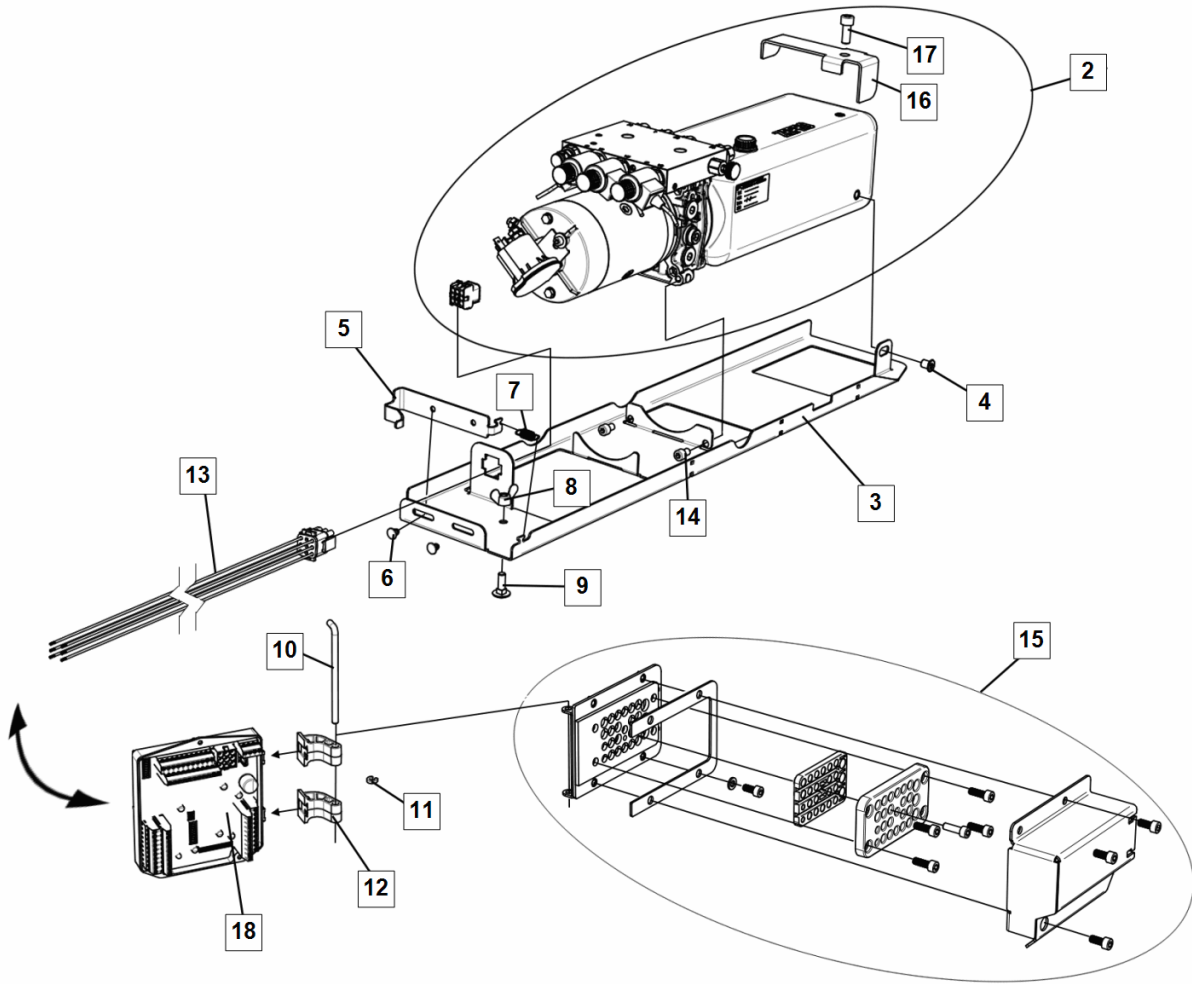
Pos	Part nr	Description	Quantity
1	34356TL	Adapter cpl. 3/8" - 1/4"	2
2	32193TL	Swivel joint cpl. D=3/8"	2
3	23075TL	HYDR.HOSE 381-04 L=1400	2



# Model: ZS-MK2 ZS-MK2

## Chapter 2. 4 Pump parts

Pumpparts&controlcard -



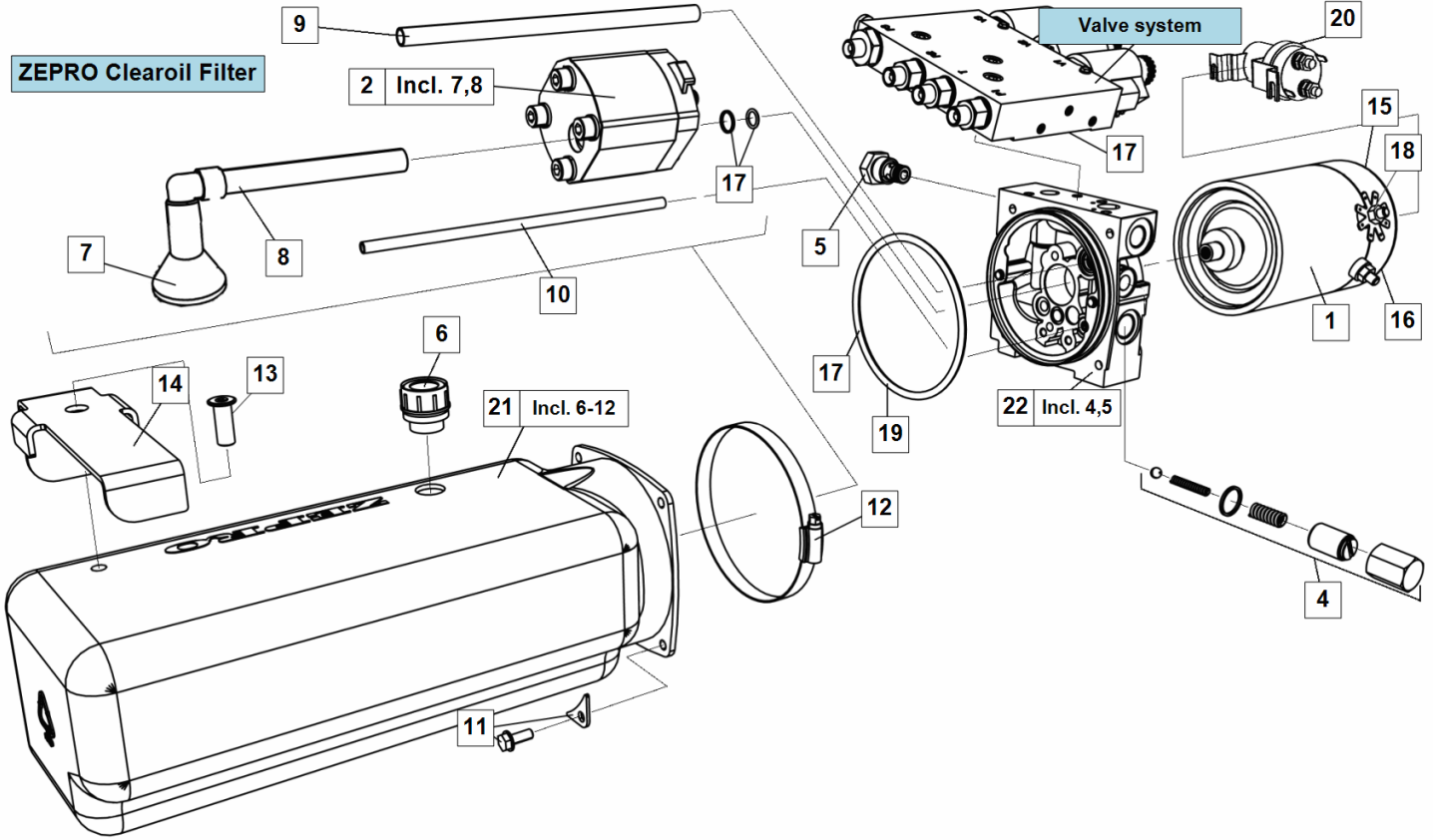
EM-00533

Pos	Part nr	Description	Quantity
2	59323FTL	COMPACT UNIT 7050 12V Z	1
3	78646TL	MOUNTING PLATE 7000 (TECFLUID)	1
4	22161TL	Screw M10x12	2
5	77202TL	Locking clip	1
6	22971TL	Plastic rivet	2
7	22973TL	Spring	1
8	22881TL	Wing nut M8	1
9	21024TL	Screw M8x25	1
10	77200TL	Locking pin for hinge	1
11	22972TL	Fixing ring	1
12	77099TL	Hinge	2
13	77203TL	Cable set cpl.	1
14	22148TL	SCREW MC6S M8x12 FZB	2
15	34359TL	MPG cpl. with cover	1
16	52035TL	Clamp	1
17	21865TL	Screw M10x25	1
18	34590TL	ZS RELAY CARD	1

# Model: ZS-MK2 ZS-MK2

## Chapter 2. 4

### ZS2Pumpunit -



0750d

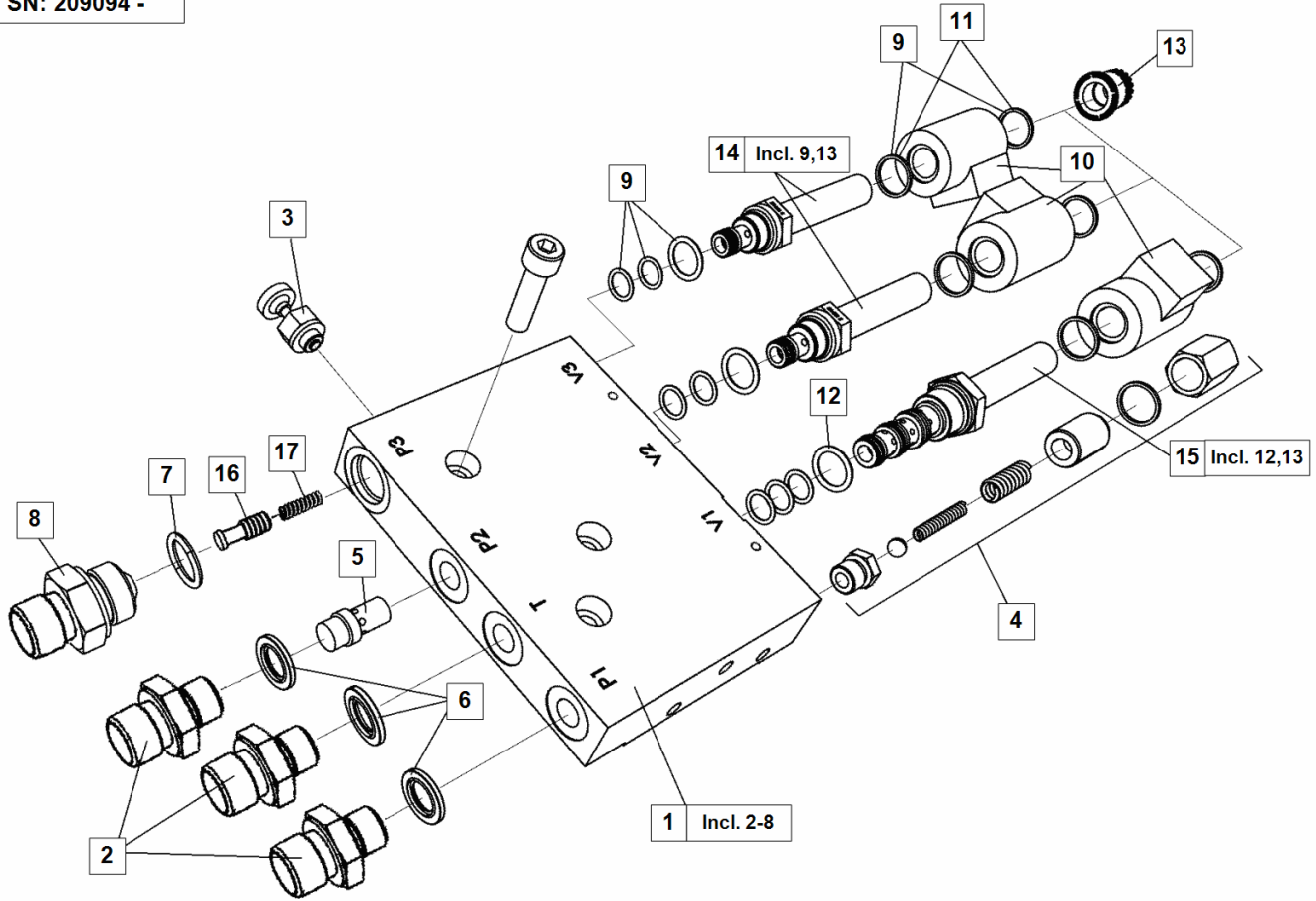
Pos	Part nr	Description	Quantity
1	32206TL	Electric Motor 1,3 kW 12V	1
2	32204TL	Pump cpl. 2,5cc	1
4	32432TL	Overflow valve 171-250B	1
5	32214TL	Reverse valve	1
6	32561TL	Filler cap	1
7	33067TL	Strainer 400µ	1
8	33070TL	Strain tube 6615, 7000	1
9	32482TL	Return tube D=10 L=300mm	1
10	32483TL	Return tube D=1/4" L=250	1
11	33395TL	Screw incl. washer	4
12	32218TL	Motor brace	1
13	22162TL	Screw M10x25	1
14	52035TL	Clamp	1
15	32058TL	Carbon brush kit 12V	1
16	32060TL	Heat guard	1
17	31836TL	O-ring set cpl.	1
18	32691TL	Ground plate	1
19	32974TL	O-ring	1
20	32797TL	Switch 12V	1
21	32560TL	Plastic tank cpl.	1
22	32567TL	Adapterblock cpl. 200B	1

# Model: ZS-MK2 ZS-MK2

## Chapter 2. 4

### ZS2Pumpvalveblock -

SN: 209094 -



32564g

Pos	Part nr	Description	Quantity
0	32564TL	Valve system 12V 13 l/min	1
1	32534TL	Valve housing cpl. 13 l/min	1
2	53902TL	Adapter 1/4"-3/8" NV19	3
3	31850TL	Adjusting screw incl. washer	1
4	32213TL	Overflow valve 50-170B	1
5	32701TL	Constant flow valve fixed 13 l/min	1
6	20942TL	Washer D=1/4"	3
7	21877TL	O-ring 15,3x2,4	1
8	33036TL	Adapter 3/8"	1
9	33142TL	O-ring set valve 21621	2
10	22075TL	Magnet 12V	3
11	32372TL	O-ring set, magnet	3
12	32961TL	O-ring set valve 32040	1
13	32466TL	Nut for valve	2
14	21621TL	Valve VE 166.22	2
15	32040TL	Reverse valve excl. magnet	1
16	32356TL	Piston for valveblock Constant flow	1
17	32971TL	Spring for valveblock	1

# Model: ZS-MK2 ZS-MK2

## Chapter 3 Platform

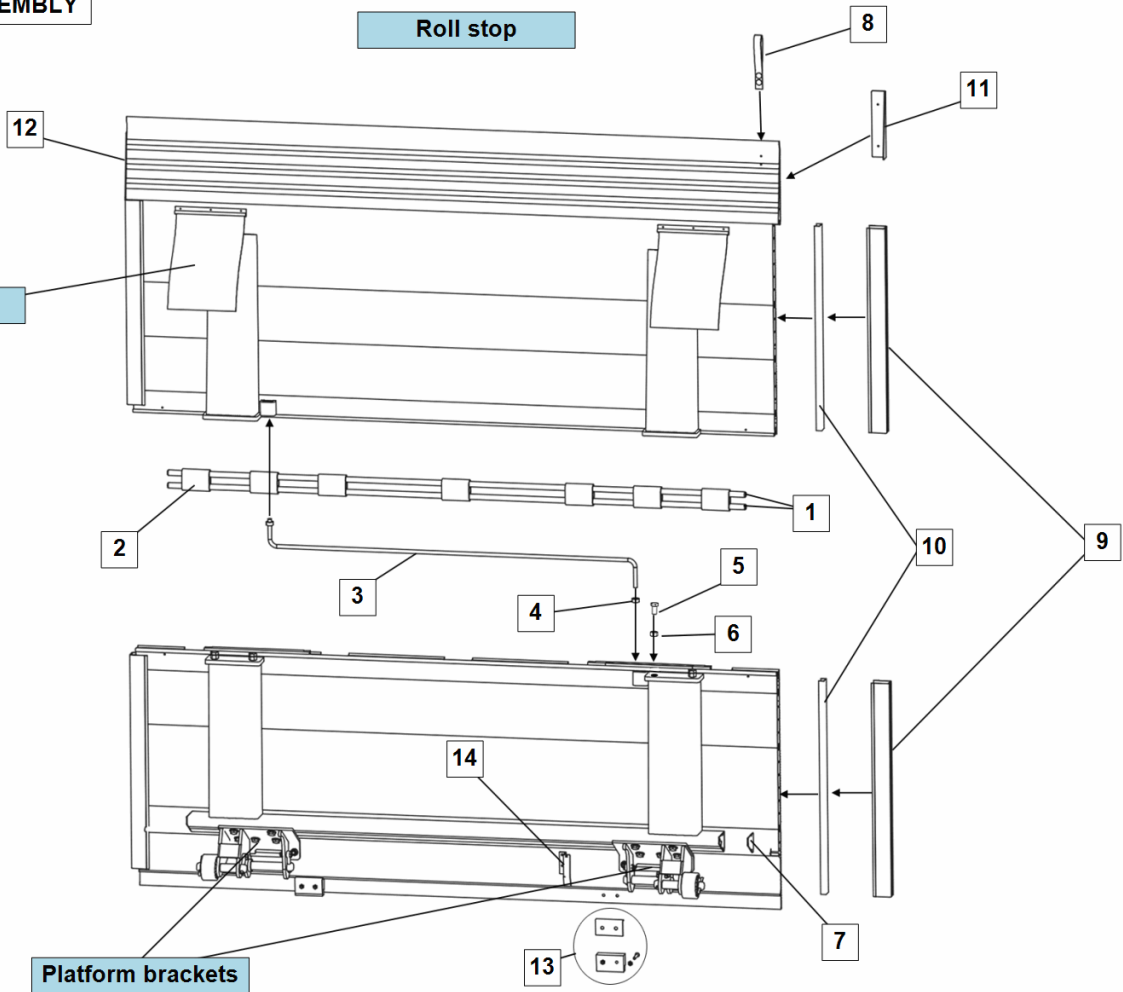
ZS2alumplatform -

PLATFORM ASSEMBLY

Roll stop

Warning set

Platform brackets



Z55457A

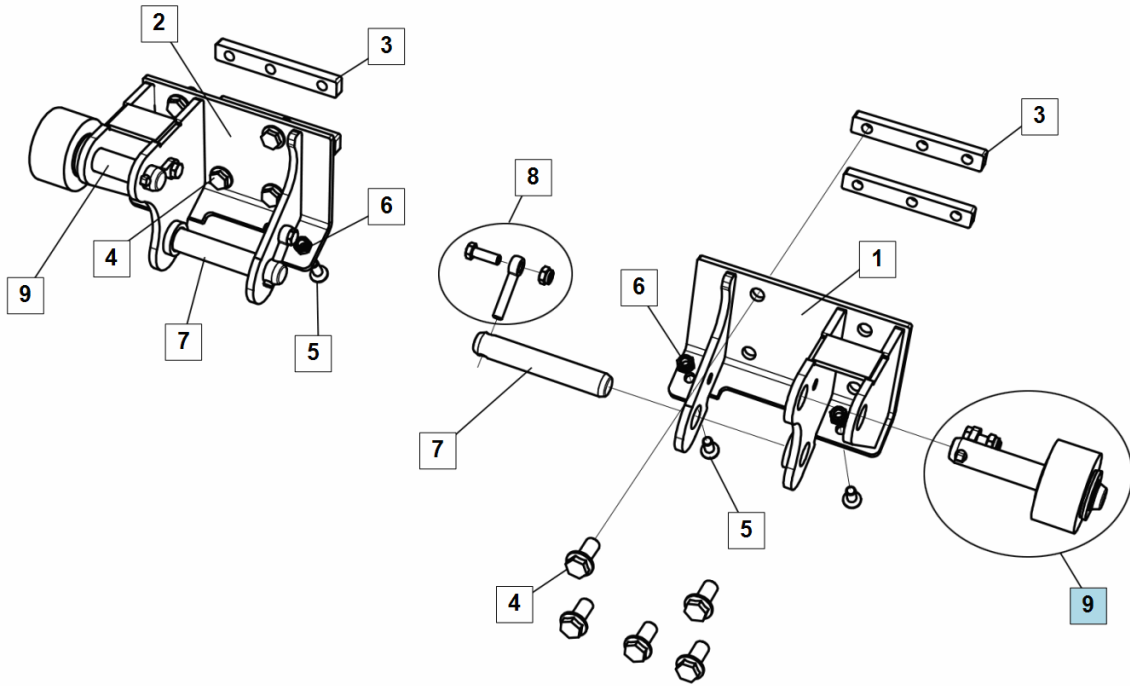
Pos	Part nr	Description	Quantity
1	34380TL	Axle alu. Ø20 L=2010	2
2	33424TL	Hinge profil AVI alu.platform C/C 46 L=1	7
3	34379TL	Torsion spring	1
4	34544TL	Torsion spring locking	2
5	33015TL	Screw M16	4
6	33018TL	Nut M16	4
7	34556TL	COVER	2
8	31877TL	Handle alu. platform cpl.A.V.I	1
9	34558TL	Side profile L=570	1
9	34559TL	Side profile L=1170	1
9	34560TL	Side profile L=1430	1
9	34561TL	Side profile L=2230	1
10	34562TL	Tube 20X40 L=570	1
10	34563TL	Tube 20X40 L=1170	1
10	34564TL	Tube 20X40 L=1430	1
10	34565TL	Tube 20X40 L=2230	1
11	34554TL	TIP PROFILE RIGHT	1
12	34555TL	TIP PROFILE LEFT	1
13	52019TL	PLASTIC PROFILE CPL.	1
14	78834TL	BRACKET ANGLE SWITCH IFM	1
A	136799TL	PLAT, ALUM, ZS, 62X94" C/S,LTS	1
A	136802TL	PLAT, ALUM, ZS, 78X94" C/S,LTS	1



# Model: ZS-MK2 ZS-MK2

## Chapter 3

### ZS2platformbrackets -



EM-00444

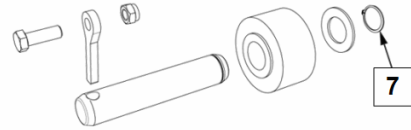
Pos	Part nr	Description	Quantity
1	75832TL	Platform bracket SZL/SZN -R	1
2	75833TL	Platform bracket SZL/SZN -L	1
3	76433	Fastening plate	0
4	21162TL	Screw M16x30	1
5	22491TL	Screw M12x35	1
6	21664TL	Nut M12	1
7	34332TL	Axle cpl. Ø30 L=180	1
8	34152TL	Locking pin kit	1
9	34367TL	Support wheel cpl.	1

# Model: ZS-MK2 ZS-MK2

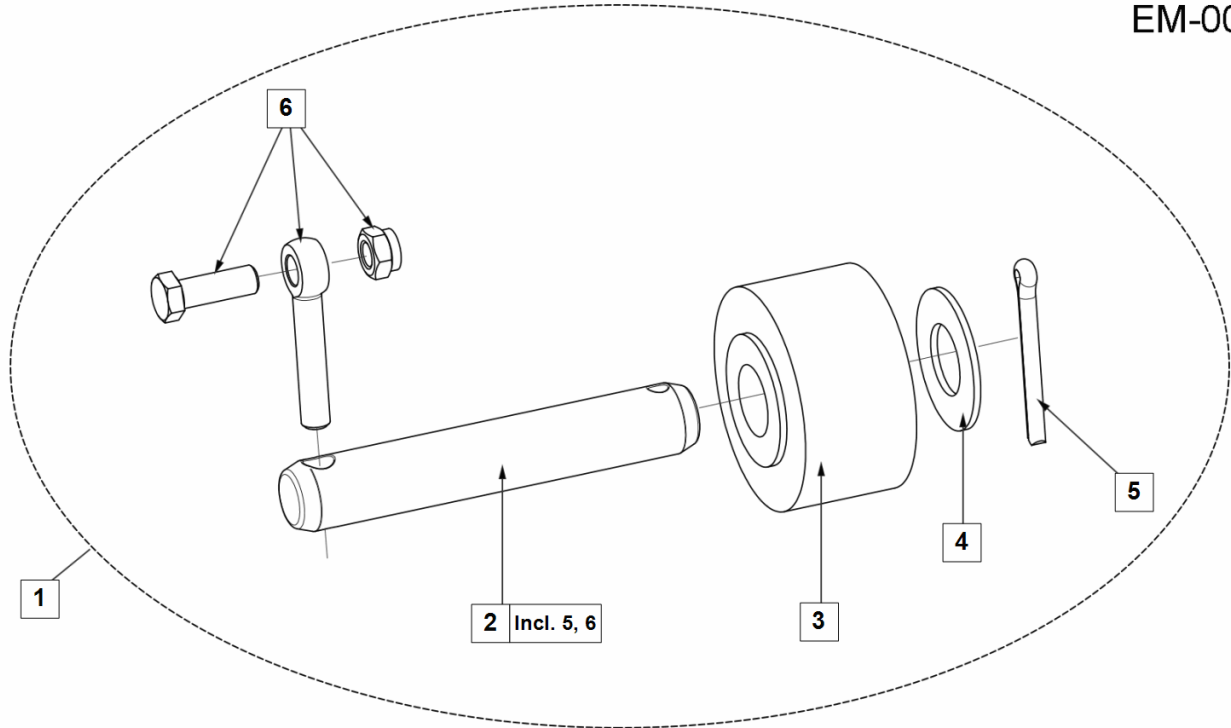
## Chapter 3

ZS2Supportwheelaasy -

Old model with snap ring



EM-00407



EM-00497

Pos	Part nr	Description	Quantity
1	34367TL	Support wheel cpl.	1
2	34347TL	Axle cpl. Ø30 L=180	1
3	75137TL	Support wheel	1
4	77508TL	Washer	1
5	23052TL	Split pin 8x63	1
6	34152TL	Locking pin kit	1
7	21643TL	Snap ring	1

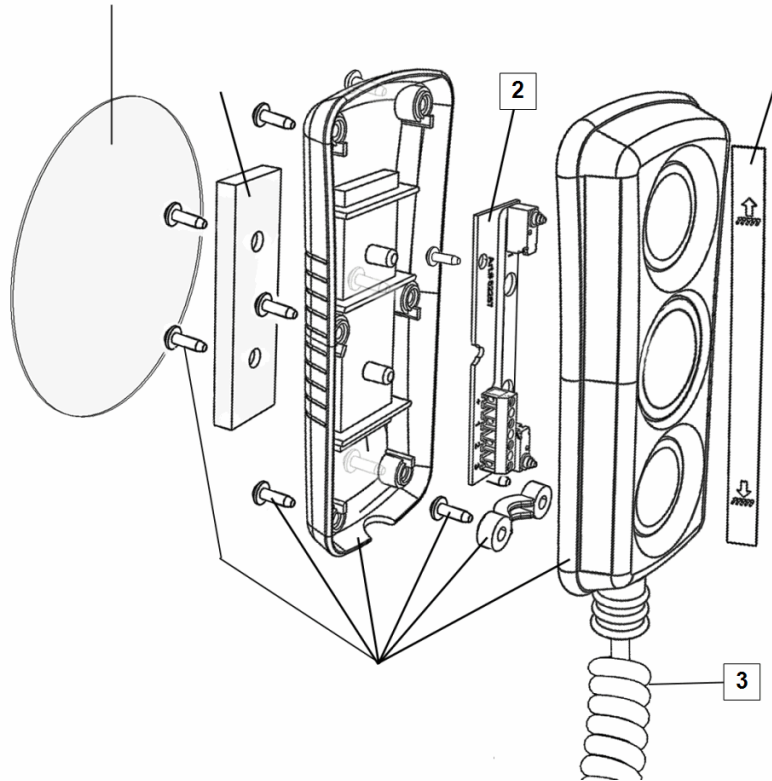
# Model: ZS-MK2 ZS-MK2

## Chapter 4 Controls

insidecontroller -



Complete unit



23042TL

Pos	Part nr	Description	Quantity
0	Z23042TL	Control unit 2-but 12-24V 5m spiral cable	1
2	33664TL	Circuit card 2-but	1
3	22272TL	Spiral cable 4x0,75 5 m + spiral	1

# Model: ZS-MK2 ZS-MK2

## Chapter 4 Controls

ZScontrol -

23119TL - UC.USERCONTROL.W5SR-21 WALCO



Pos	Part nr	Description	Quantity
1	Z23119TL	UC.USERCONTROL.W5SR-21 WALCO	1
2	Z23122TL	CABLE FOR UC.USERCONTROL.W5S	1