



HIAB X-CLX 038

FOR YOUR UTILITY COMPANY AND MUNICIPALITY

YOUR EVERYDAY WORKING PARTNER

With the new HIAB X-CLX 038 crane, planning and managing the maintenance works for your utility company or the municipality are made easy and hassle free, with a dependable tool for your teams and your bottomline.

You want to concentrate on your activity, and that is why HIAB is the best solution for not having to think of anything else, if not your business.

Don't settle for anything less and take advantage:

- Bring and unload materials and tools to get the road work done, or carry and lift small tools or equipment that helps your municipality or utility company keep your structures up and running.
- Buying a HIAB crane, means buying a sturdy reliable equipment that never lets you down, day after day.
- The compact size is ideal for even smaller truck vehicles, leaving still plenty space for additional materials useful for the job.
- This category crane doesn't even need the permit to operate it, allowing all your staff to use it, even in case of high turnover.

If you never thought of being able to possess a HIAB crane, then this is the best occasion to re-evaluate that decision.



HIAB X-CLX 038



Simplify supplier handling

A complete package to your truck fleet, coming from one supplier with a team of professional sales people, delivering the best in terms of reliability, and customer oriented approach.

Take the best out of the relationship of working with a true solution provider.

Fit for tenders

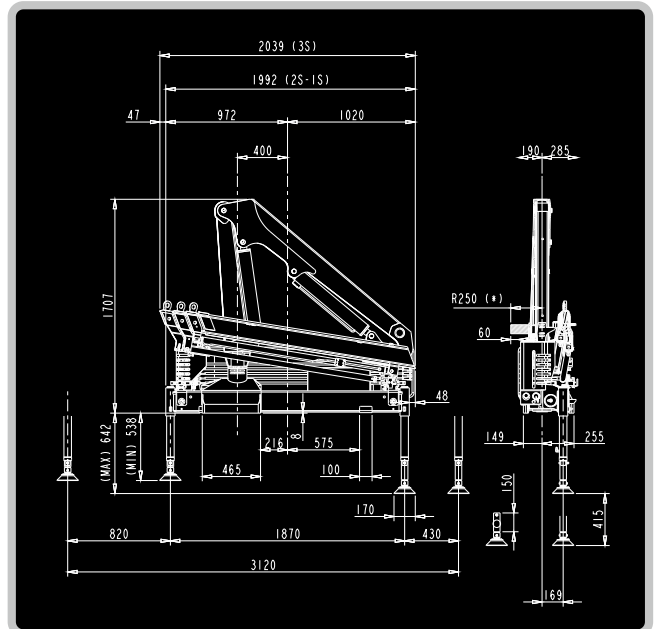
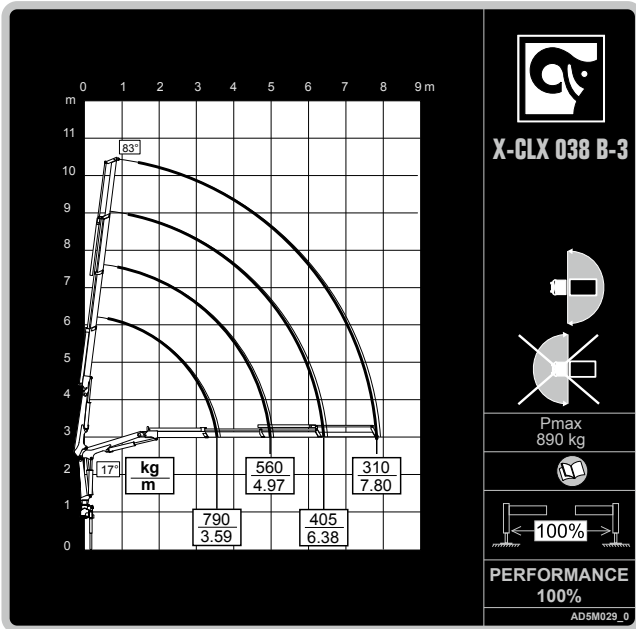
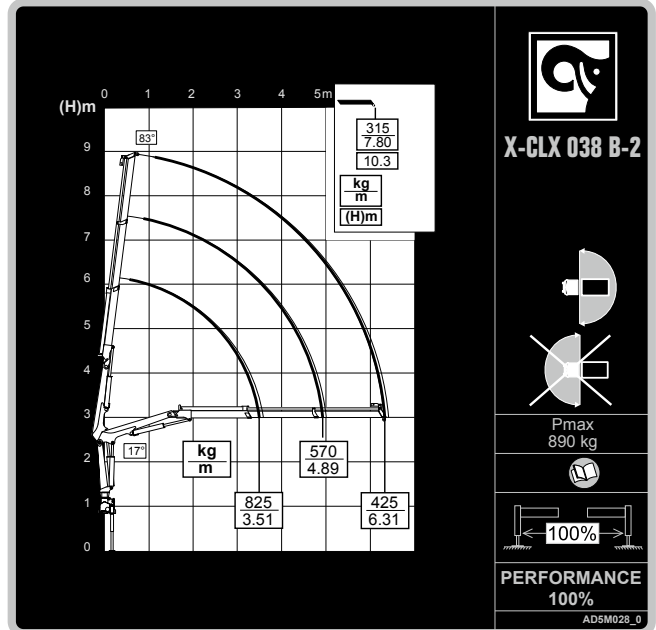
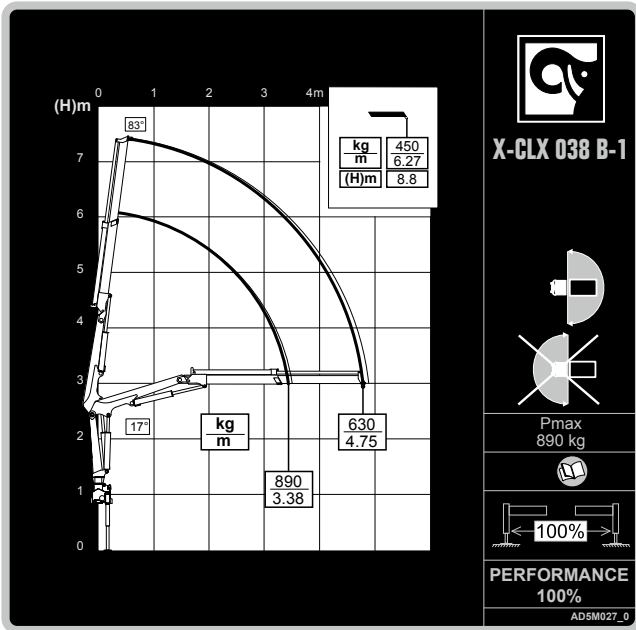
Hiab is a global corporate group which operates according to corporate citizenship standards and code of conduct for its employees. As a publicly traded company, we disclose financial results, making working with Hiab transparent, safe and trustworthy.

A safe product for operators

Among the founding key values for Hiab is the safety of its products and solutions, which is just more than simple words.

Modern safety functions and design make it one of the most careful brands among loading and lifting equipment. Reducing personnel liability is key for any operators of fleets, yet it is also our commitment to each user and operator to get back home safely.

Version	Unit	B-1	B-2	B-3
Lifting capacity	kNm	29,50	28,40	27,83
Lifting capacity	tm	3	3	3
Outreach - lifting capacity, standard	m-kg	3,38 - 890	3,51 - 825	3,59 - 790
		4,75 - 630	4,89 - 570	4,97 - 560
		4,75 - 630	6,31 - 425	6,38 - 405 7,80 - 310
Outreach - lifting capacity, manual extensions	m-kg	6,27 - 450	7,80 - 315	9,31 - 205
Rec. oil flow	l/min	12	12	12
Slewing angle	°	360	360	360
Weight				
Crane in standard version with standard support legs	kg	473	515	550



BUILT TO PERFORM

Hiab is a leading provider of smart and sustainable load handling solutions. We are committed to delivering the best customer experience every day with the most engaged people and partners. Hiab's premium equipment includes HIAB, EFFER and ARGOS loader cranes, MOFFETT and PRINCETON truck mounted forklifts, LOGLIFT forestry cranes, JONSERED recycling cranes, MULTILIFT skiploaders and hooklifts, GALFAB roll-off cable hoists, and tail lifts under the ZEPRO, DEL and WALTCO brands. As the industry pioneer, Hiab continues to make load handling smarter, safer and more sustainable to build a better tomorrow.

hiab.com

Hiab is part of Cargotec Corporation.

cargotec.com

