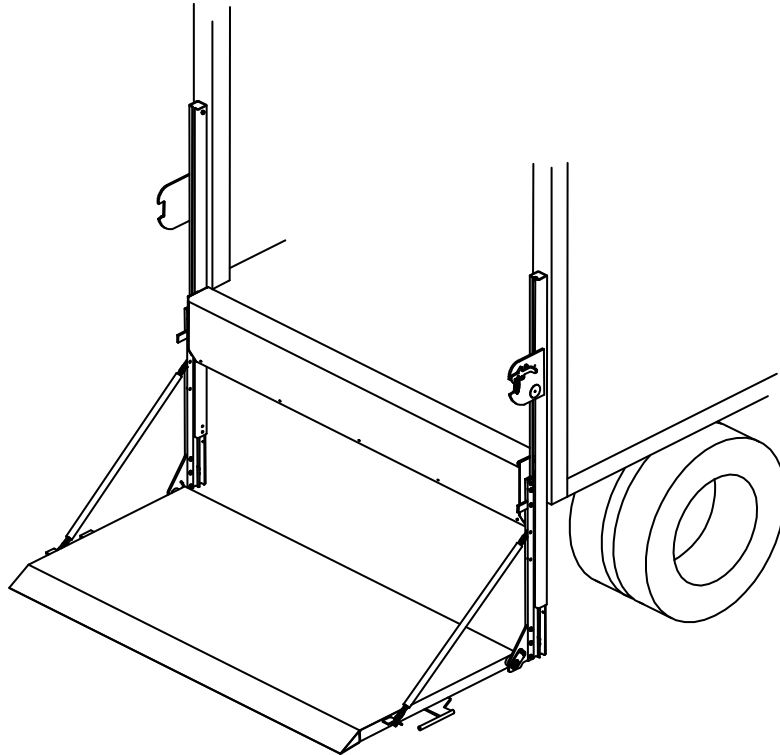


# Parts Manual

## MDL

### 1250 lb - 3000 lb. Capacity Rail Liftgates



GR02909

This manual identifies parts for Liftgates manufactured:

**4-18-11 to Current**

#### Last Change

Date	Page(s)	Description
9-15-2015	12 23	P12 – Deleted references to 1/2" torsion bar kit, only 9/16" torsion bar is used P23 - Deleted references to 1/2" torsion bar kit, only 9/16" torsion bar is used

**Waltco Lift Corp.**  
**Corporate Office United State**  
285 Northeast Ave.  
Tallmadge, OH 44278  
P: 330.633.9191  
F: 330.633.1418

**Waltco Lift Corp.**  
**United States**  
620 S Hambledon Ave.  
City of Industry, CA 91744  
P: 626.964.0990  
F: 626.964.0149

**Waltco Lift Inc.**  
**Canada**  
90 North Queen St.  
Etobicoke, ON M8Z 2C5  
P: 888.343.4550

# Table of Contents



**Improper operation and maintenance of this liftgate could result in severe personal injury or death.**

**Read and understand the contents of the owner's manual and all warning and operation decals before operating and/or performing maintenance on this liftgate.**

INTRODUCTION .....	3
HOW TO ORDER PARTS .....	4
MODEL INFORMATION .....	5
DECAL PLACEMENT .....	6
PLATFORMS, MDL, STEEL, +6" RAMP, MANUAL FOLD (94" OAW).....	8
PLATFORMS, MDL, STEEL, +6" RAMP, MANUAL FOLD (100" OAW).....	9
PLATFORMS, MDL, STEEL, +12" RAMP, MANUAL FOLD (MDL-12/MDL-20) .....	10
PLATFORMS, MDL, STEEL, +12" RAMP, MANUAL FOLD (MDL-30).....	11
PLATFORMS, MDL, STEEL, +6" & +12" RAMPS, POWER CLOSE.....	12
PLATFORMS, MDL, ALUM, +6" RAMP, MANUAL FOLD .....	13
PLATFORMS, MDL, ALUM, +12" RAMP, MANUAL FOLD .....	14
PLATFORMS, MDL, ALUM, +12" RAMP, CART STOPS, MANUAL FOLD.....	15
PLATFORMS, MDL, ALUM, +12" ALUM RETENTION RAMP, MANUAL FOLD .....	16
PLATFORMS, MDL, ALUM, +6" RAMP, POWER CLOSE .....	17
PLATFORMS, MDL, ALUM, +12" RAMP, CART STOPS, POWER CLOSE .....	18
PLATFORMS, MDL, ALUM, +12" ALUM RETENTION RAMP, POWER CLOSE.....	19
PLATFORMS, MDL, ALUM, TWO PIECE, BREAK @ 30" .....	20
PLATFORMS, MDL, ALUM, TWO PIECE, BREAK @ 36" .....	21
PLATFORMS, MDL BG, STEEL, MANUAL FOLD .....	22
PLATFORMS, MDL BG, STEEL, POWER CLOSE.....	23
PLATFORMS, MDL BG, ALUM, MANUAL FOLD .....	24
PLATFORMS, MDL BG, ALUM POWER CLOSE .....	25
MOUNT FRAME ASSEMBLY, STANDARD .....	26
MOUNT FRAME ASSEMBLY, ABOVE FLOOR.....	27
MOUNT FRAME INTERNAL PARTS.....	28
RUNNER ASSEMBLIES.....	29
HYDRAULIC & ELECTRICAL COMPONENTS .....	30
LIGHT OPTION .....	31
POWER CLOSE OPTION .....	32
CYLINDER ASSEMBLIES .....	33

# Introduction

Each Waltco liftgate is manufactured to stringent quality standards for years of reliable service. To ensure maximum performance of your Waltco liftgate, always specify and use “OEM Parts” from Waltco.

This manual does not provide procedures for the servicing and repair of Waltco liftgates. Service and repair should only be performed by an authorized Waltco distributor. For information on the nearest authorized Waltco distributor contact:

**Waltco Lift Corp.**

285 Northeast Avenue

Tallmadge, OH 44278

Phone: 800.411.5685

Fax: 800.411.5684

E-mail: [parts@waltco.com](mailto:parts@waltco.com)



**The use of non-standard or makeshift parts can be extremely hazardous and result in serious injury or death.**



**Every vehicle that has a WALTCO Liftgate must have legible WARNING AND OPERATION DECALS clearly posted on the vehicle and an OWNER'S MANUAL in the vehicle at all times as a guide for proper operation and maintenance.**

# How To Order Parts

**Repairs should be made only by authorized mechanics using WALTCO Replacement parts.**

**When ordering repair or replacement parts, please include all the information asked for below. If this information is not available, a complete written description or sketch of the required part will help WALTCO identify and deliver the needed part to you.**

---

## **THE FOLLOWING INFORMATION MUST BE INCLUDED:**

1. SERIAL NUMBER - [WALTCO liftgate serial numbers can be found on the Specification Tag attached to the mount frame. (On older units the Specification Tag is located on the side or bottom of the platform.)]
2. MODEL NUMBER - [Or capacity]
3. PLATFORM SIZE

---

## **THEN INCLUDE THE FOLLOWING INFORMATION:**

4. PART NUMBERS
5. DESCRIPTION
6. QUANTITY REQUIRED

---

## **MAIL, E-MAIL OR PHONE YOUR REQUEST TO:**

Waltco Truck Equipment Co.  
285 Northeast Avenue  
Tallmadge, OH 44278  
1-800-411-5685  
FAX: 1-800-411-5684  
E-MAIL: parts@waltco.com

**ALL PARTS ARE F.O.B. FROM THE SHIPPING FACTORY**

---

## **PLEASE NOTE:**

**To assure you of continuing and effective quality control, our warranty policy permits replacement of hydraulic cylinders, valves and motor pump units when their factory seals are intact. Parts under warranty will be exchanged promptly after careful inspection of the returned assemblies.**

---

# Model Information

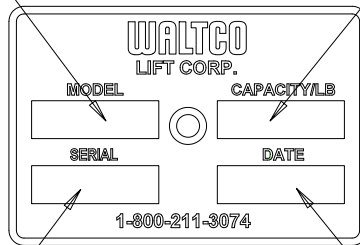
## Explanation of Specification Tag

Model Name	Description	Capacity
MDL-12	Medium Duty Lift	1200 lbs.
MDL-16	Medium Duty Lift	1600 lbs.
MDL-20	Medium Duty Lift	2000 lbs.
MDL-30	Medium Duty Lift	3000 lbs.
MDLBG-16	MDL Bottle Gas	1600 lbs.
MDLBG-20	MDL Bottle Gas	2000 lbs.
DS-16	Dock Storage	1600 lbs.
DS-20	Dock Storage	2000 lbs.
DS-30	Dock Storage	3000 lbs.
SB-12	Service Body	1200 lbs.
SB-16	Service Body	1600 lbs.
DT-16	Dump Through	1600 lbs.
DT-20	Dump Through	2000 lbs.
DT-30	Dump Through	3000 lbs.

**MODEL NAME**

**RATED CAPACITY**

Based on an evenly distributed load on the platform flat surface.



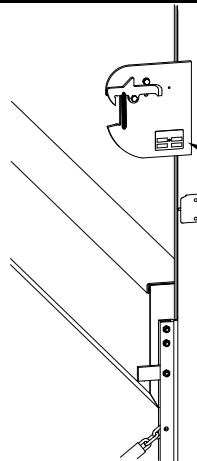
**SERIAL NUMBER**

of liftgate. To be used when ordering parts or when contacting Waltco for service or warranty questions

**DATE OF MANUFACTURE**

Month / Year

GR00241



Specification Tag

GR02834

# Chapter 5 Placement of Decals



All decals must be in place and legible or all warranties are void.

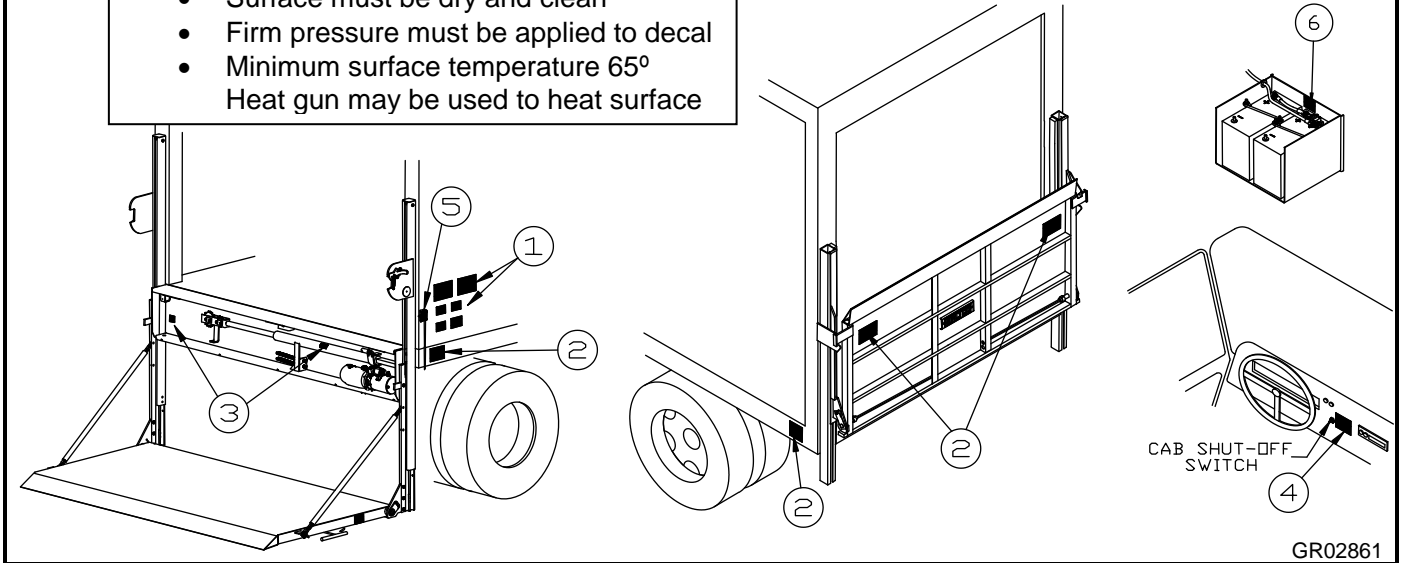
ITEM	DECAL	QTY	PART NO.	LOCATION
1	Safety Instructions	1	80100850	Locate in a conspicuous place near controls.
	Operation Decals (see Owner's Manual for details)			
	Snap Lock / Manual	1	80101575	
	Drop-In / Manual		80101577	
	Drop-In / Power Close		80101536	
	Power Up Storage / Manual		80101639	
	Power Up Storage / Power Close		80101638	
	Drop-In with Cam / Manual <sup>A</sup>		80101640	
	Hazard Decal	1	80101370	
	Important Decal	1	80100828	
	1250 # Capacity Decal	2	80100266	Locate one in a conspicuous place near controls. Locate one on curb side of platform.
	1600 # Capacity Decal		80100252	
	2000 # Capacity Decal		80100253	
	3000 # Capacity Decal		80100257	
2	Caution Decal	4	75089296	Locate one in a conspicuous place near controls. Locate one in a conspicuous place on driver side of vehicle.
3	Protective Cover Decal	2	75089282	Locate one on hydraulic cylinder. Locate on back of crossbeam box.
4	Cab Shut Off Decal (Optional)	1	75089267	Locate next to cab shut-off switch inside vehicle.
5	Switch Decal	1	80101532	Locate on switch housing (single toggle switch)
			80101533	Locate on switch housing (2 toggle switch)
6	Warning Decal	1	80100829	Locate next to liftgate circuit breaker. In applications where more than one circuit breaker is used, decal must be placed in both locations.
<b>If your liftgate is equipped with dual controls, an additional Safety Instruction decal (80100850) is to be placed in a conspicuous place near the second set of controls.</b>				

<sup>A</sup> This decal not used on any liftgates manufactured after 6-2015.

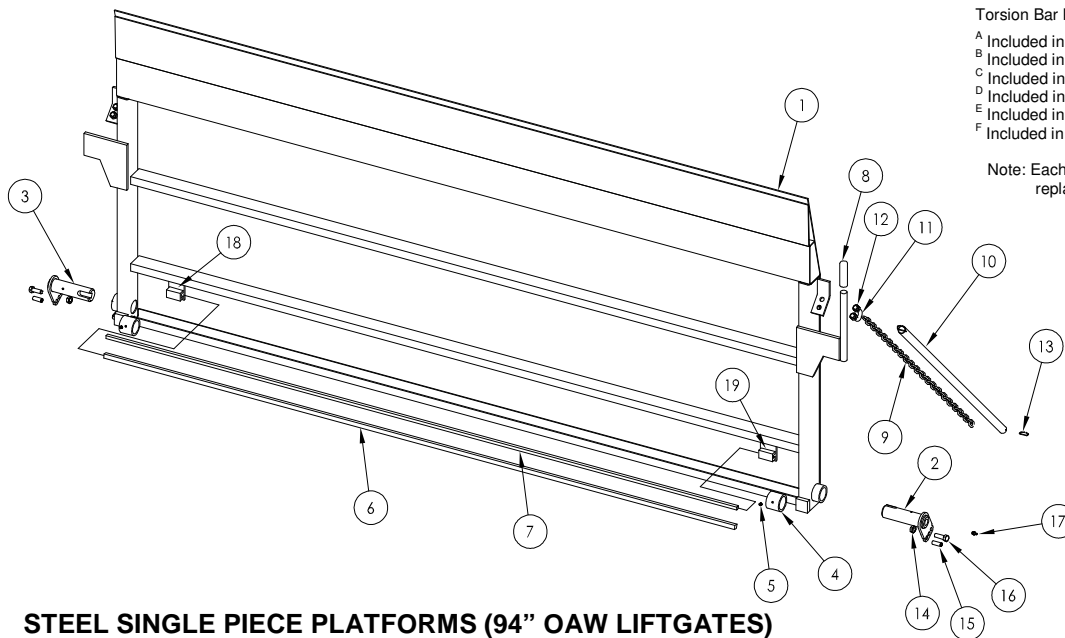
# Chapter 5 Placement of Decals

To maximize decal adhesion to surfaces:

- Surface must be dry and clean
- Firm pressure must be applied to decal
- Minimum surface temperature 65°  
Heat gun may be used to heat surface



ITEM	PART NUMBER	QTY	DESCRIPTION	MDL-12, 16, 20			MDL-30			
				30x89	36x89	42x89	30x89	36x89	42x89	48x89
1	43016372	1	Platform Assy, 30x89+6	X						
	43016373	1	Platform Assy, 36x89+6		X					
	43180620	1	Platform Assy, 42x89+6			X				
	95099087	1	Platform Assy, 30x89+6				X			
	43390087	1	Platform Assy, 36x89+6					X		
	43380621	1	Platform Assy, 42x89+6						X	
2	43316875	1	Platform Assy, 48x89+6							X
	43016689 <sup>A</sup>	1	Hinge Pin Assy, Curb Side, 3/8" TB	X						
	43016690 <sup>B</sup>	1	Hinge Pin Assy, Curb Side, 1/2" TB		X	X	X	X		
3	43016691 <sup>C</sup>	1	Hinge Pin Assy, Curb Side, 9/16" TB						X	X
	43016689 <sup>AF</sup>	1	Hinge Pin Assy, Driver Side, 3/8" TB	X	X		X			
	43016790 <sup>D</sup>	1	Hinge Pin Assy, Driver Side, 1/2" TB			X		X	X	
4	43016692 <sup>E</sup>	1	Hinge Pin Assy, Driver Side, 9/16" TB							X
	43020205 <sup>ABCDEF</sup>	2	Hinge Pin Collar	X	X	X	X	X	X	X
5	7500047-6 <sup>ABCDEF</sup>	2	Set Screw, 1/4"-20 x 3/8", Self Lock	X	X	X	X	X	X	X
6	43020037 <sup>A</sup>	1	Torsion Bar, 3/8" x 48", RH Pin	X						
	43020241 <sup>B</sup>	1	Torsion Bar, 1/2" x 81", RH Pin		X	X	X	X		
	43020245 <sup>C</sup>	1	Torsion Bar, 9/16" x 81", RH Pin						X	X
7	43020037 <sup>A</sup>	1	Torsion Bar, 3/8" x 48", LH Pin	X			X			
	43020237 <sup>F</sup>	1	Torsion Bar, 3/8" x 81", LH Pin		X					
	43020241 <sup>D</sup>	1	Torsion Bar, 1/2" x 81", LH Pin			X		X	X	
	43020245 <sup>E</sup>	1	Torsion Bar, 9/16" x 81", LH Pin							X
8	75089294	1	Rubber Handle	X	X	X	X	X	X	X
9	43020213	2	Side Chain, 36" deep, 34 links (46-1/2" lg.)		X	X	X	X	X	X
	43120213	2	Side Chain, 30" deep, 28 links (38" lg.)	X						
10	43016382	2	Side Chain Sleeve 36" deep		X	X	X	X	X	X
	43012382	2	Side Chain Sleeve 30" deep	X						
11	75080125	2	Side Chain U-Bolt	X	X	X	X	X	X	X
12	75085178	4	Side Chain U-Bolt Nut	X	X	X	X	X	X	X
13	75085168	4	Hog Ring	X	X	X	X	X	X	X
14	75085188 <sup>ABCDEF</sup>	4	Center Lock Nut, 3/8-16	X	X	X	X	X	X	X
15	75089555 <sup>ABCDEF</sup>	2	Slotted Spring Pin, 3/8"	X	X	X	X	X	X	X
16	7500010-6 <sup>ABCDEF</sup>	2	Hex Bolt, 3/8-16x1"	X	X	X	X	X	X	X
17	75089306 <sup>ABCDEF</sup>	2	Grease Zerk, 1/4-28	X	X	X	X	X	X	X
18	43012206 <sup>A</sup>	1	Torsion Bar Anchor, 3/8"	X						
	43020595 <sup>B</sup>		Torsion Bar Anchor, 1/2"		X	X	X	X		
	43020248 <sup>C</sup>		Torsion Bar Anchor, 9/16"						X	X
19	43012206 <sup>AF</sup>	1	Torsion Bar Anchor, 3/8"	X	X		X			
	43020595 <sup>D</sup>		Torsion Bar Anchor, 1/2"			X		X	X	
	43020248 <sup>E</sup>		Torsion Bar Anchor, 9/16"							X



Torsion Bar Kits:

- <sup>A</sup> Included in kit 80004710 (3/8" x 48" CS and DS)
- <sup>B</sup> Included in kit 80004713 (1/2" x 81" Curbside)
- <sup>C</sup> Included in kit 80004714 (9/16" x 81" Curbside)
- <sup>D</sup> Included in kit 80004711 (1/2" x 81" Driver Side)
- <sup>E</sup> Included in kit 80004712 (9/16" x 81" Driver Side)
- <sup>F</sup> Included in kit 80004721 (3/8" x 81" Driver Side)

Note: Each kit contains components to replace one torsion bar

**STEEL SINGLE PIECE PLATFORMS (94" OAW LIFTGATES)  
6" RAMP  
MANUAL FOLDING**

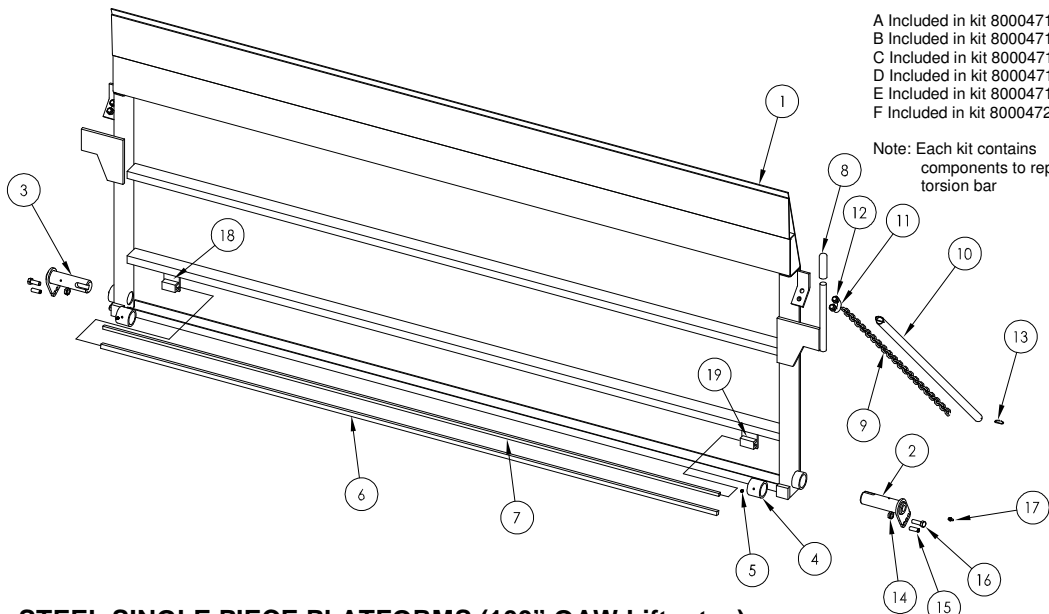
**WALTCO** LIFT CORP.  
MDL

REVISED: 8-1-15  
E.O. 6868  
REV 06

**PM-818**



ITEM	PART NUMBER	QTY	DESCRIPTION	MDL-12, 16, 20			MDL-30		
				30x95	36x95	42x95	36x95	42x95	48x95
1	43016879	1	Platform Assy, 30x95+6	X					
	43016844	1	Platform Assy, 36x95+6		X				
	43116881	1	Platform Assy, 42x95+6			X			
	43316878	1	Platform Assy, 36x95+6				X		
	43316883	1	Platform Assy, 42x95+6					X	
	43316885	1	Platform Assy, 48x95+6						X
2	43016689 <sup>A</sup>	1	Hinge Pin Assy, Curb Side, 3/8" TB	X					
	43016690 <sup>D</sup>	1	Hinge Pin Assy, Curb Side, 1/2" TB		X	X	X		
	43016691 <sup>E</sup>	1	Hinge Pin Assy, Curb Side, 9/16" TB					X	X
3	43016689 <sup>AF</sup>	1	Hinge Pin Assy, Driver Side, 3/8" TB	X	X				
	43016790 <sup>B</sup>	1	Hinge Pin Assy, Driver Side, 1/2" TB			X	X	X	
	43016692 <sup>C</sup>	1	Hinge Pin Assy, Driver Side, 9/16" TB						X
4	43020205 <sup>ABCDEF</sup>	2	Hinge Pin Collar	X	X	X	X	X	X
5	7500047-6 <sup>ABCDEF</sup>	2	Collar Set Screw, 1/4"-20 x 3/8"	X	X	X	X	X	X
6	43020037 <sup>A</sup>	1	Torsion Bar, 3/8" x 48", RH Pin	X					
	43020241 <sup>D</sup>	1	Torsion Bar, 1/2" x 81", RH Pin		X	X	X		
	43020245 <sup>E</sup>	1	Torsion Bar, 9/16" x 81", RH Pin					X	X
7	43020037 <sup>A</sup>	1	Torsion Bar, 3/8" x 48", LH Pin	X					
	43020237 <sup>F</sup>	1	Torsion Bar, 3/8" x 81", LH Pin		X				
	43020241 <sup>B</sup>	1	Torsion Bar, 1/2" x 81", LH Pin			X	X	X	
	43020245 <sup>C</sup>	1	Torsion Bar, 9/16" x 81", LH Pin						X
8	75089294	1	Rubber Handle	X	X	X	X	X	X
9	43020213	2	Side Chain, 36" deep, 34 links (46-1/2" lg.)		X	X	X	X	X
	43120213	2	Side Chain, 30" deep, 28 links (38" lg.)	X					
10	43016382	2	Side Chain Sleeve 36" deep		X	X	X	X	X
	43012382	2	Side Chain Sleeve 30" deep	X					
11	75080125	2	Side Chain U-Bolt	X	X	X	X	X	X
12	75085178	4	Side Chain U-Bolt Nut	X	X	X	X	X	X
13	75085168	4	Hog Ring	X	X	X	X	X	X
14	75085188 <sup>ABCDEF</sup>	4	Center Lock Nut, 3/8-16	X	X	X	X	X	X
15	75089555 <sup>ABCDEF</sup>	2	Slotted Spring Pin, 3/8"	X	X	X	X	X	X
16	7500010-6 <sup>ABCDEF</sup>	2	Hex Bolt, 3/8-16x1"	X	X	X	X	X	X
17	75089306 <sup>ABCDEF</sup>	2	Grease Zerk, 1/4-28	X	X	X	X	X	X
18	43012206 <sup>A</sup>	1	Torsion Bar Anchor, 3/8"	X					
	43020595 <sup>D</sup>		Torsion Bar Anchor, 1/2"		X	X	X		
	43020248 <sup>E</sup>		Torsion Bar Anchor, 9/16"					X	X
19	43012206 <sup>AF</sup>	1	Torsion Bar Anchor, 3/8"	X	X				
	43020595 <sup>B</sup>		Torsion Bar Anchor, 1/2"			X	X	X	
	43020248 <sup>C</sup>		Torsion Bar Anchor, 9/16"						X



Torsion Bar Kits:  
A Included in kit 80004710 (3/8" x 48" CS and DS)  
B Included in kit 80004711 ((1/2" x 81" Driver Side)  
C Included in kit 80004712 (9/16" x 81" Driver Side)  
D Included in kit 80004713 (1/2" x 81" Curbside)  
E Included in kit 80004714 (9/16" x 81" Curbside)  
F Included in kit 80004721 ((3/8" x 81" Driver Side)

Note: Each kit contains components to replace one torsion bar

**STEEL SINGLE PIECE PLATFORMS (100" OAW Liftgates)  
6" RAMP  
MANUAL FOLD**



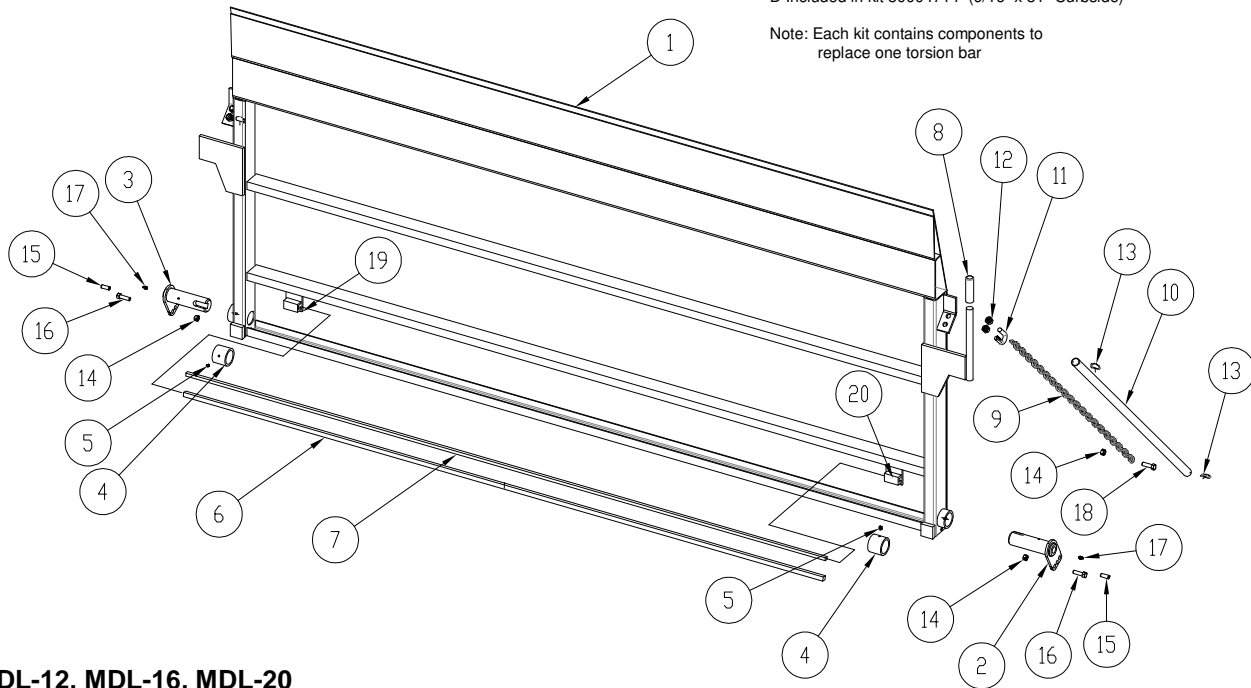
REVISED: 8-1-15  
E.O. 6868  
REV 01

ITEM	PART NUMBER	QTY	DESCRIPTION	MDL-12, 16, 20					
				30x89	36x89	42x89	30x95	36x95	42x95
1	43016374	1	Platform Assy, 30x89+12	X					
	43016375		Platform Assy, 36x89+12		X				
	43180621		Platform Assy, 42x89+12			X			
	43016880		Platform Assy, 30x95+12				X		
	43016845		Platform Assy, 36x95+12					X	
	43116883		Platform Assy, 42x95+12						X
2	43016690 <sup>C</sup>	1	Hinge Pin Assy, Curbside, 1/2" TB	X	X		X	X	
	43016691 <sup>D</sup>		Hinge Pin Assy, Curbside, 9/16" TB			X			X
3	43016689 <sup>B</sup>	1	Hinge Pin Assy, Driver Side, 3/8" TB	X			X		
	43016790 <sup>A</sup>		Hinge Pin Assy, Driver Side, 1/2" TB		X	X		X	X
4	43020205 <sup>ABCD</sup>	2	Hinge Pin Collar	X	X	X	X	X	X
5	7500047-6 <sup>ABCD</sup>	2	Collar Set Screw, 1/4"-20 x 3/8"	X	X	X	X	X	X
6	43020241 <sup>C</sup>	1	Torsion Bar, 1/2" x 81", RH Pin		X			X	
	43020245 <sup>D</sup>		Torsion Bar, 9/16" x 81", RH Pin			X			X
7	43020241 <sup>A</sup>	1	Torsion Bar, 1/2" x 81", LH Pin	X	X	X	X	X	X
	43020237 <sup>B</sup>		Torsion Bar, 3/8" x 81", RH Pin	X			X		
8	75089294	1	Rubber Handle	X	X	X	X	X	X
9	43020213	2	Side Chain, 36" deep, 34 links (46-1/2" lg.)		X	X		X	X
	43120213		Side Chain, 30" deep, 28 links (38" lg.)	X			X		
10	43016382	2	Side Chain Sleeve 36" deep		X	X		X	X
	43012382		Side Chain Sleeve 30" deep	X			X		
11	75080125	2	Side Chain U-Bolt	X	X	X	X	X	X
12	75085178	4	Side Chain U-Bolt Nut	X	X	X	X	X	X
13	75085168	4	Hog Ring	X	X	X	X	X	X
14	75085188 <sup>ABCD</sup>	4	Center Lock Nut, 3/8-16	X	X	X	X	X	X
15	75089555 <sup>ABCD</sup>	2	Slotted Spring Pin, 3/8"	X	X	X	X	X	X
16	7500010-6 <sup>ABCD</sup>	2	Hex Bolt, 3/8-16x1"	X	X	X	X	X	X
17	75089306 <sup>ABCD</sup>	2	Grease Zerk, 1/4-28	X	X	X	X	X	X
18	75086218	2	Hex Bolt, 3/8-16 x 1-1/4", GR 8	X	X	X	X	X	X
19	43020595 <sup>C</sup>	1	Torsion Bar Anchor, 1/2"	X	X		X	X	
	43020248 <sup>D</sup>		Torsion Bar Anchor, 9/16"			X			X
	43012206 <sup>B</sup>		Torsion Bar Anchor, 3/8"	X			X		
20	43020595 <sup>A</sup>	1	Torsion Bar Anchor, 1/2"		X	X		X	X

Torsion Bar Kits:

- A Included in kit 80004711 (1/2" x 81" Driver Side)
- B Included in kit 80004721 (3/8" x 81" Driver Side)
- C Included in kit 80004713 (1/2" x 81" Curbside)
- D Included in kit 80004714 (9/16" x 81" Curbside)

Note: Each kit contains components to replace one torsion bar



**MDL-12, MDL-16, MDL-20  
STEEL SINGLE PIECE PLATFORMS  
12" RAMP  
MANUAL FOLD**

**WALTCO** LIFT CORP.  
MDL

REVISED: 8-1-15  
E.O. 6868  
REV 01

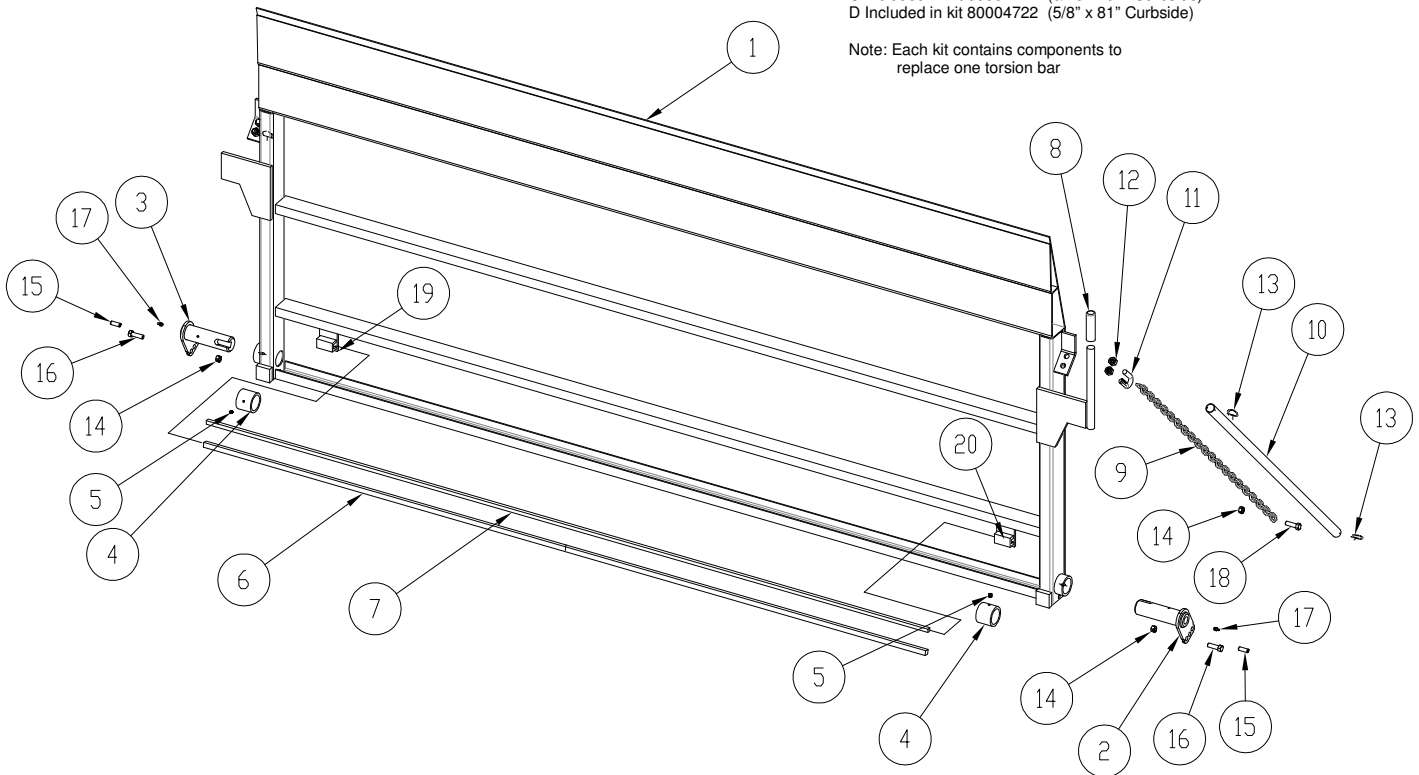
**PM-911**

ITEM	PART NUMBER	QTY	DESCRIPTION	MDL-30				
				36x89	42x89	48x89	36x95	42x95
1	43390088	1	Platform Assy, 36x89+12	X				
	43380622		Platform Assy, 42x89+12		X			
	43316876		Platform Assy, 48x89+12			X		
	43316839		Platform Assy, 36x95+12				X	
	43316888		Platform Assy, 42x95+12					X
2	43016691 <sup>C</sup>	1	Hinge Pin Assy, Curbside, 9/16" TB	X	X		X	X
	43016665 <sup>D</sup>		Hinge Pin Assy, Curbside, 5/8" TB			X		
3	43016790 <sup>A</sup>	1	Hinge Pin Assy, Driver Side, 1/2" TB	X			X	
	43016692 <sup>B</sup>		Hinge Pin Assy, Driver Side, 9/16" TB		X	X		X
4	43020205 <sup>ABCD</sup>	2	Hinge Pin Collar	X	X	X	X	X
5	7500047-6 <sup>ABCD</sup>	2	Collar Set Screw, 1/4"-20 x 3/8"	X	X	X	X	X
6	43020245 <sup>C</sup>	1	Torsion Bar, 9/16" x 81", RH Pin	X	X		X	X
	43020250 <sup>D</sup>		Torsion Bar, 5/8"x81", RH Pin			X		
7	43020241 <sup>A</sup>	1	Torsion Bar, 1/2" x 81", LH Pin	X			X	
	43020245 <sup>B</sup>		Torsion Bar, 9/16" x 81", RH Pin		X	X		X
8	75089294	1	Rubber Handle	X	X	X	X	X
9	43020213	2	Side Chain, 36" deep, 34 links (46-1/2" lg.)	X	X	X	X	X
10	43016382	2	Side Chain Sleeve 36" deep	X	X	X	X	X
11	75080125	2	Side Chain U-Bolt	X	X	X	X	X
12	75085178	4	Side Chain U-Bolt Nut	X	X	X	X	X
13	75085168	4	Hog Ring	X	X	X	X	X
14	75085186 <sup>ABCD</sup>	4	Center Lock Nut, 3/8-16	X	X	X	X	X
15	75089555 <sup>ABCD</sup>	2	Slotted Spring Pin, 3/8"	X	X	X	X	X
16	7500010-6 <sup>ABCD</sup>	2	Hex Bolt, 3/8-16x1"	X	X	X	X	X
17	75089306 <sup>ABCD</sup>	2	Grease Zerk, 1/4-28	X	X	X	X	X
18	75086218	2	Hex Bolt, 3/8-16 x 1-1/4", GR 8	X	X	X	X	X
19	43020248 <sup>C</sup>	1	Torsion Bar Anchor, 9/16"	X	X		X	X
	43030449 <sup>D</sup>		Torsion Bar Anchor, 5/8"			X		
20	43020595 <sup>A</sup>	1	Torsion Bar Anchor, 1/2"	X			X	
	43020248 <sup>B</sup>		Torsion bar Anchor, 9/16"		X	X		X

Torsion Bar Kits:

- A Included in kit 80004711 (1/2" x 81" Driver Side)
- B Included in kit 80004712 (9/16" x 81" Driver Side)
- C Included in kit 80004714 (9/16" x 81" Curbside)
- D Included in kit 80004722 (5/8" x 81" Curbside)

Note: Each kit contains components to replace one torsion bar



**MDL-30  
STEEL SINGLE PIECE PLATFORMS  
12" RAMP  
MANUAL FOLD**

**WALTCO LIFT CORP.  
MDL**

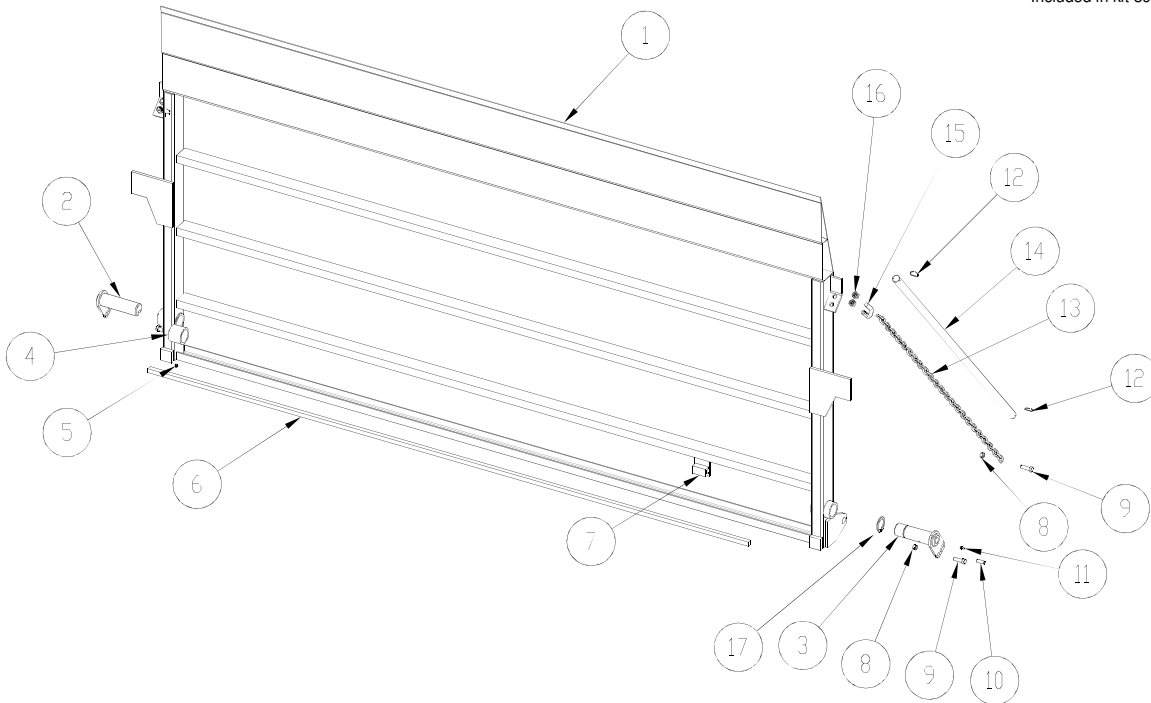
REVISED: 8-1-15  
E.O. 6868  
REV 01

**PM-912**

ITEM	PART No.	QTY	DESCRIPTION	MDL-12/16/20				MDL-30					
				36x89	42x89	36x95	42x95	42x89	48x89	42x95	48x95		
1	43116567 43116569	1	Platform Assy, 36x89+6 PC Platform Assy, 36x89+12 PC	X									
	43116568 43116570		Platform Assy, 42x89+6 PC Platform Assy, 42x89+12 PC		X								
	43116892		Platform Assy, 36x95+12 PC			X							
	43116893 43116894		Platform Assy, 42x95+6 PC Platform Assy, 42x95+12 PC				X						
	43316569 43316570		Platform Assy, 42x89+6 PC Platform Assy, 42x89+12 PC					X					
	43316838 43316874		Platform Assy, 48x89+6 PC Platform Assy, 48x89+12 PC						X				
	43316894 43316896		Platform Assy, 42x95+6 PC Platform Assy, 42x95+12 PC							X			
	43316895 43316897		Platform Assy, 48x95+6 PC Platform Assy, 48x95+12 PC								X		
	2		43016664 <sup>A</sup>	1	Hinge Pin, Street Side, 9/16" TB	X	X	X	X	X	X	X	X
	3		43016663	1	Hinge Pin, Curb Side	X	X	X	X	X	X	X	X
4	43020205 <sup>A</sup>	1	1-1/2" ID Pin Collar	X	X	X	X	X	X	X	X		
5	7500047-6 <sup>A</sup>	1	Set Screw, 1/4-20 x 3/8" Self Locking	X	X	X	X	X	X	X	X		
6	43020245 <sup>A</sup>	1	Torsion Bar, 9/16" x 81"	X	X	X	X	X	X	X	X		
7	43020248 <sup>A</sup>	1	Torsion Bar Anchor, 9/16"	X	X	X	X	X	X	X	X		
8	75085188 <sup>A</sup>	4	3/8-16 Hex Nut, Centerlock	X	X	X	X	X	X	X	X		
9	75086218 <sup>A</sup>	4	Hex Bolt, 3/8-16 x 1.25", Gr 8	X	X	X	X	X	X	X	X		
10	75089555 <sup>A</sup>	2	Slotted Pin, 3/8" x 1"	X	X	X	X	X	X	X	X		
11	75089306 <sup>A</sup>	2	Grease Zerk	X	X	X	X	X	X	X	X		
12	75085168	4	Hog Ring	X	X	X	X	X	X	X	X		
13	43020213	2	Support Chain, 36" Deep	X	X	X	X	X	X	X	X		
14	43016382	2	Chain Cover, 36" Deep	X	X	X	X	X	X	X	X		
15	75080125	2	U-Bolt, #4, 7/16-14 x 2"	X	X	X	X	X	X	X	X		
16	75085178	4	Hex Nut, 7/16-14, Nylock	X	X	X	X	X	X	X	X		
17	75001010	1	Snap Ring	X	X	X	X	X	X	X	X		

Torsion Bar Kits:

<sup>A</sup> Included in kit 80004725 9/16" x 81" torsion bar



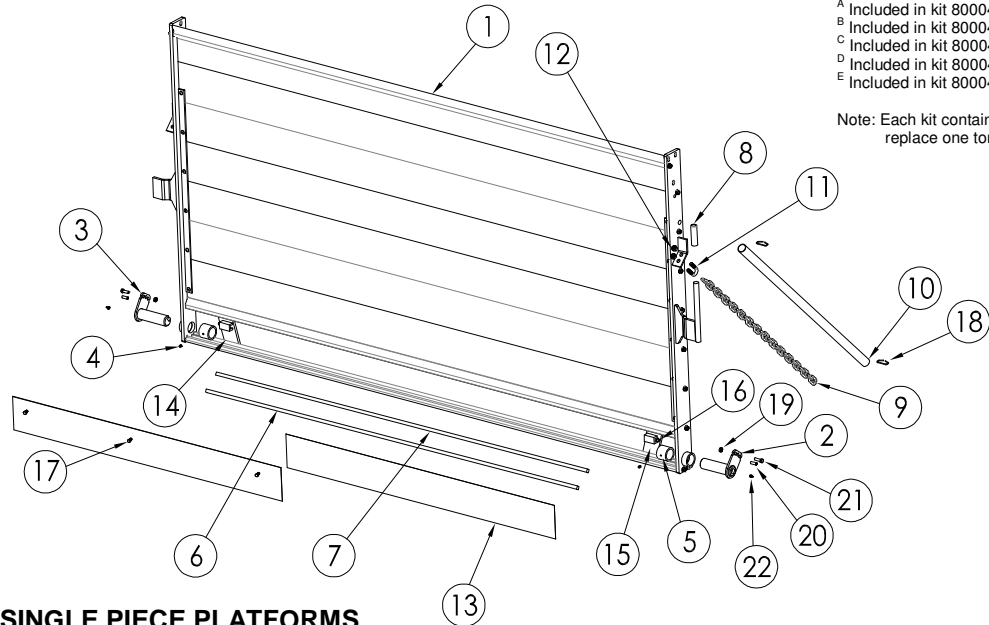
**STEEL SINGLE PIECE PLATFORMS  
6" and 12" RAMP  
POWER CLOSE**

**WALTCO LIFT CORP.  
MDL**

REVISED: 9-8-15  
E.O. 7378E  
REV 02

**PM-915**

ITEM	PART NO.	QTY	DESCRIPTION	MDL-12/16/20/30				MDL-12/16/20		MDL-12/16/20/30				MDL-12/16/20			
				30x89	36x89	42x89	48x89	54x89	60x89	30x95	36x95	42x95	48x95	54x95	60x95		
1	43017070	1	MDL AP, 30x89+6	X													
	43017071		MDL AP, 36x89+6		X												
	43117072		MDL AP, 42x89+6			X											
	43117073		MDL AP, 48x89+6				X										
	43117074		MDL AP, 54x89+6					X									
	43117075		MDL AP, 60x89+6						X								
	43017175		MDL-AP, 30x95+6							X							
	43017176		MDL AP, 36x95+6								X						
	43117177		MDL AP, 42x95+6									X					
	43117178		MDL AP, 48x95+6										X				
	43117179	MDL AP, 54x95+6											X				
	43117180	MDL AP, 60x95+6												X			
2	43016689 <sup>A</sup>	1	3/8" TB Hinge Pin, Driver Side	X						X							
	43016690 <sup>B</sup>		1/2" TB Hinge Pin, Curb Side		X	X	X	X	X			X	X	X	X		
	43016691 <sup>C</sup>		9/16" TB Hinge Pin, Curb Side							X						X	
3	43016689 <sup>D</sup>	1	3/8" TB Hinge Pin, Driver Side	X	X	X				X	X	X					
	43016790 <sup>E</sup>		1/2" TB Hinge Pin, Driver Side				X	X	X				X	X	X		
4	7500047-6	2	Set Screw, 1/4"-20X3/8"	X	X	X	X	X	X			X	X	X	X	X	
5	43020205 ABCDE	2	Hinge Pin Collar	X	X	X	X	X	X			X	X	X	X	X	
6	43020237 <sup>A</sup>	1	Torsion Bar, 3/8" x 81", RH Pin	X						X							
	43020241 <sup>B</sup>		Torsion Bar, 1/2" x 81", RH Pin		X	X	X	X	X			X	X	X	X		
	43020245 <sup>C</sup>		Torsion Bar, 9/16" x 81" RH Pin							X						X	
	43020237 <sup>D</sup>		Torsion Bar, 3/8" x 81" LH Pin	X	X	X					X	X	X				
7	43020241 <sup>E</sup>	1	Torsion Bar, 1/2" x 81" LH Pin				X	X	X				X	X	X		
8	75089294		Rubber Handle	X	X	X	X	X	X	X	X	X	X	X	X	X	
9	43020213	2	Chain Support, 36" Deep		X	X	X	X	X			X	X	X	X	X	
	43120213		Chain Support, 30" Deep	X							X						
10	43016382	2	Cover Support Chain, 36" Deep		X	X	X	X	X			X	X	X	X	X	
	43012382		Cover Support Chain, 30" Deep	X							X						
11	75080125	2	Side Chain U-Bolt	X	X	X	X	X	X	X	X	X	X	X	X	X	
12	75085178	4	Side Chain U-Bolt Nut	X	X	X	X	X	X	X	X	X	X	X	X	X	
13	43020174	2	Torsion Bar Cover	X	X	X	X	X	X	X	X	X	X	X	X	X	
14	43017146 <sup>A</sup>	1	D/S Torsion Bar Anchor, 3/8"	X						X							
	43017148 <sup>B</sup>		D/S Torsion Bar Anchor, 1/2"		X	X	X	X	X			X	X	X	X		
	43017150 <sup>C</sup>		D/S Torsion Bar Anchor, 9/16"							X							X
15	43017147 <sup>D</sup>	1	C/S Torsion Bar Anchor, 3/8"	X	X	X				X	X	X					
	43017149 <sup>E</sup>		C/S Torsion Bar Anchor, 1/2"				X	X	X				X	X	X		
16	7500009-8 ABCDE	2	Socket Head Cap Screw, 1/4"-20	X	X	X	X	X	X	X	X	X	X	X	X	X	
17	75086875	7	Screw, Self Drilling, 10-24x3/4	X	X	X	X	X	X	X	X	X	X	X	X	X	
18	75085168	4	Hog Ring	X	X	X	X	X	X	X	X	X	X	X	X	X	
19	75085188 ABCDE	2	Center Lock Nut, 3/8"-16	X	X	X	X	X	X	X	X	X	X	X	X	X	
20	75089555 ABCDE	2	Slotted Spring, 3/8"	X	X	X	X	X	X	X	X	X	X	X	X	X	
21	7500010-6 ABCDE	2	Hex Bolt, 3/8"-16 x 1"	X	X	X	X	X	X	X	X	X	X	X	X	X	
22	75089306 ABCDE	2	Grease Zerk, 1/4"-28	X	X	X	X	X	X	X	X	X	X	X	X	X	



Torsion Bar Kits:  
<sup>A</sup> Included in kit 80004717 (3/8" x 81" Curbside)  
<sup>B</sup> Included in kit 80004718 (1/2" x 81" Curbside)  
<sup>C</sup> Included in kit 80004719 (9/16" x 81" Curbside)  
<sup>D</sup> Included in kit 80004715 (3/8" x 48" Driver Side)  
<sup>E</sup> Included in kit 80004716 (1/2" x 81" Driver Side)

Note: Each kit contains components to replace one torsion bar

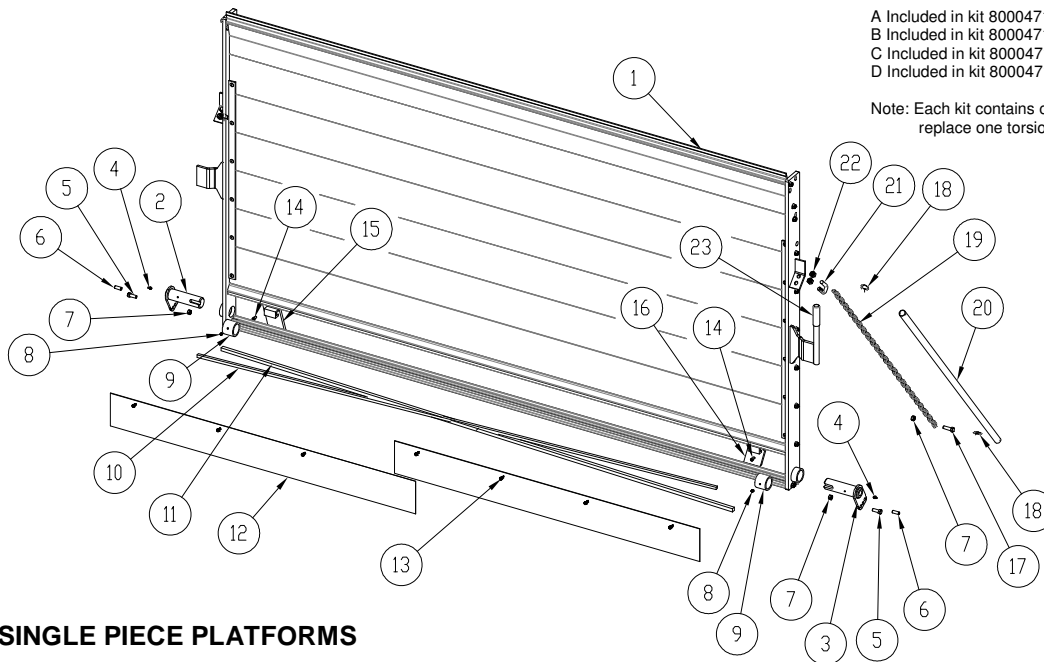
**ALUMINUM SINGLE PIECE PLATFORMS  
6" RAMP  
MANUAL FOLD**

**WALTCO LIFT CORP.  
MDL**

REVISED: 8-1-15  
E.O. 6868  
REV 05

**PM-819A**

ITEM	PART No.	QTY	DESCRIPTION	MDL-12/30				MDL-12/20	MDL-12/30				MDL-12/20
				30x89	36x89	42x89	48x89	54x89	30x95	36x95	42x95	48x95	54x95
1	43017072	1	Platform Assy, 30x89+12	X									
	43016382		Platform Assy, 36x89+12		X								
	43117076		Platform Assy, 42x89+12			X							
	43117177		Platform Assy, 48x89+12				X						
	43117078		Platform Assy, 54x89+12					X					
	43017180		Platform Assy, 30x95+12						X				
	43017182		Platform Assy, 36x95+12							X			
	43117187		Platform Assy, 42x95+12								X		
	43117188		Platform Assy, 48x95+12									X	
43117189	Platform Assy, 54x95+12										X		
2	43016689 <sup>A</sup>	1	Hinge Pin Assy, Driver Side, 3/8" TB	X	X				X	X			
	43016790 <sup>B</sup>		Hinge Pin Assy, Driver Side, 1/2" TB			X	X	X			X	X	X
3	43016690 <sup>C</sup>	1	Hinge Pin Assy, Curbside, 1/2" TB	X	X	X	X		X	X	X	X	
	43016691 <sup>D</sup>		Hinge Pin Assy, Curbside, 9/16" TB					X					X
4	75089306 <sup>ABCD</sup>	2	Grease Zerk	X	X	X	X	X	X	X	X	X	X
5	7500010-6 <sup>ABCD</sup>	2	Hex Bolt, 3/8-16 x 1", Gr 8	X	X	X	X	X	X	X	X	X	X
6	75089555 <sup>ABCD</sup>	2	Slotted Pin, 3/8" Dia x 1"	X	X	X	X	X	X	X	X	X	X
7	75085188 <sup>ABCD</sup>	4	3/8-16 Hex Nut, Centerlock	X	X	X	X	X	X	X	X	X	X
8	43020205 <sup>ABCD</sup>	2	1-1/2" ID Pin Collar	X	X	X	X	X	X	X	X	X	X
9	7500047-6 <sup>ABCD</sup>	2	Set Screw, 1/4-20 x 3/8" Self Locking	X	X	X	X	X	X	X	X	X	X
10	43020237 <sup>A</sup>	1	Torsion Bar, 3/8" x 81", RH Pin	X	X				X	X			
	43020241 <sup>B</sup>		Torsion Bar, 1/2" x 81", RH Pin			X	X	X			X	X	X
11	43020241 <sup>C</sup>	1	Torsion Bar, 1/2" x 81", LH Pin	X	X	X	X		X	X	X	X	
	43020245 <sup>D</sup>		Torsion Bar, 9/16" x 81", LH Pin					X					X
12	43020174	2	Torsion Bar Cover	X	X	X	X	X	X	X	X	X	X
13	75086875	7	Screw, #10 Self Tapping	X	X	X	X	X	X	X	X	X	X
14	7500009-8 <sup>ABCD</sup>	2	1/4-20 x 1/2" SHCS	X	X	X	X	X	X	X	X	X	X
15	43017148 <sup>C</sup>	1	Torsion Bar Anchor, 1/2"	X	X	X	X		X	X	X	X	
	43017150 <sup>D</sup>		Torsion Bar Anchor, 9/16"					X					X
16	43017147 <sup>A</sup>	1	Torsion Bar Anchor, 3/8"	X	X				X	X			
	43017149 <sup>B</sup>		Torsion Bar Anchor, 1/2"			X	X	X			X	X	X
17	75086218	2	Hex Bolt, 3/8-16 x 1.25", Gr 8	X	X	X	X	X	X	X	X	X	X
18	75085168	4	Hog Ring	X	X	X	X	X	X	X	X	X	X
19	43020213	2	Side Chain, 36" deep, (46-1/2" lg.)	X	X	X	X	X	X	X	X	X	X
20	43016382	2	Side Chain Sleeve 36" deep	X	X	X	X	X	X	X	X	X	X
21	75080125	2	Side Chain U-Bolt	X	X	X	X	X	X	X	X	X	X
22	75085178	4	Side Chain U-Bolt Nut	X	X	X	X	X	X	X	X	X	X
23	75089294	1	Rubber Handle	X	X	X	X	X	X	X	X	X	X



**Torsion Bar Kits:**

- A Included in kit 80004717 (3/8" x 81" Driver Side)
- B Included in kit 80004716 (1/2" x 81" Driver Side)
- C Included in kit 80004718 (1/2" x 81" Curbside)
- D Included in kit 80004719 (9/16" x 81" Curbside)

Note: Each kit contains components to replace one torsion bar

**ALUMINUM SINGLE PIECE PLATFORMS  
12" RAMP  
MANUAL FOLD**

**WALTCO LIFT CORP.  
MDL**

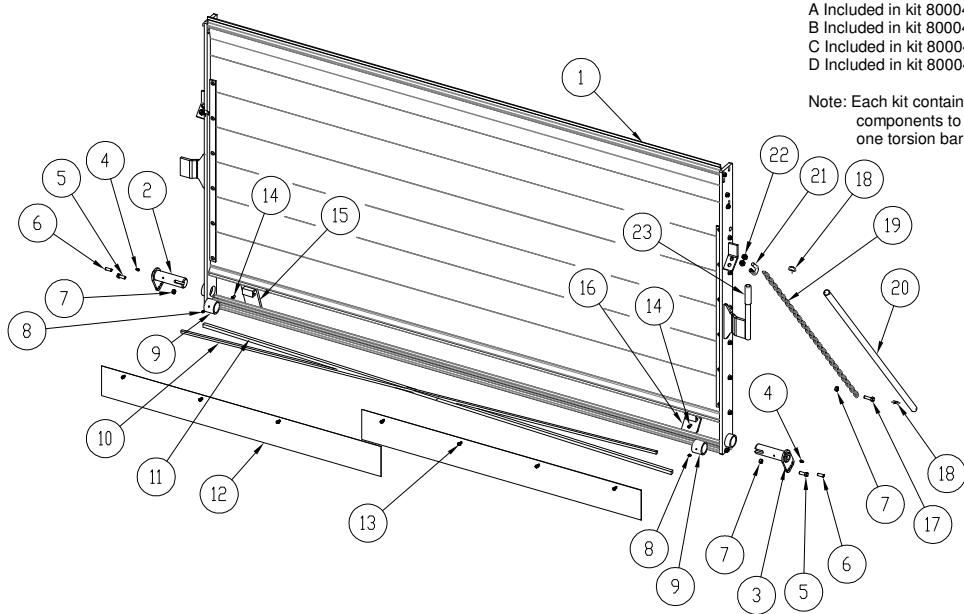
REVISED: 8-1-15  
E.O. 6868  
REV 01

**PM-908**

ITEM	PART No.	QTY	DESCRIPTION	MDL-12/30				MDL-12/20	MDL-12/30				MDL-12/20
				30x89	36x89	42x89	48x89	54x89	30x95	36x95	42x95	48x95	54x95
1	43017074	1	Platform Assy, 30x89+12 C/S	X									
	43017075		Platform Assy, 36x89+12 C/S		X								
	43117079		Platform Assy, 42x89+12 C/S			X							
	43117080		Platform Assy, 48x89+12 C/S				X						
	43117081		Platform Assy, 54x89+12 C/S					X					
	43017183		Platform Assy, 30x95+12 C/S						X				
	43017184		Platform Assy, 36x95+12 C/S							X			
	43117190		Platform Assy, 42x95+12 C/S								X		
	43117191		Platform Assy, 48x95+12 C/S									X	
43117192	Platform Assy, 54x95+12 C/S										X		
2	43016689 <sup>A</sup>	1	Hinge Pin Assy, Curb Side, 3/8" TB	X	X				X	X			
	43016790 <sup>B</sup>		Hinge Pin Assy, Curb Side, 1/2" TB			X	X	X			X	X	X
3	43016690 <sup>C</sup>	1	Hinge Pin Assy, Street Side, 1/2" TB	X	X	X	X		X	X	X	X	
	43016691 <sup>D</sup>		Hinge Pin Assy, Street Side, 9/16" TB					X					X
4	75089306 <sup>ABCD</sup>	2	Grease Zerk	X	X	X	X	X	X	X	X	X	X
5	7500010-6 <sup>ABCD</sup>	2	Hex Bolt, 3/8-16 x 1", Gr 8	X	X	X	X	X	X	X	X	X	X
6	75089555 <sup>ABCD</sup>	2	Slotted Pin, 3/8" Dia x 1"	X	X	X	X	X	X	X	X	X	X
7	75085188 <sup>ABCD</sup>	4	3/8-16 Hex Nut, Centerlock	X	X	X	X	X	X	X	X	X	X
8	43020205 <sup>ABCD</sup>	2	1-1/2" ID Pin Collar	X	X	X	X	X	X	X	X	X	X
9	7500047-6 <sup>ABCD</sup>	2	Set Screw, 1/4-20 x 3/8" Self Locking	X	X	X	X	X	X	X	X	X	X
10	43020237 <sup>A</sup>	1	Torsion Bar, 3/8" x 81", RH Pin	X	X				X	X			
	43020241 <sup>B</sup>		Torsion Bar, 1/2" x 81", RH Pin			X	X	X			X	X	X
11	43020241 <sup>C</sup>	1	Torsion Bar, 1/2" x 81", LH Pin	X	X	X	X		X	X	X	X	
	43020245		Torsion Bar, 9/16" x 81" LH Pin					X					X
12	43020174	2	Torsion Bar Cover	X	X	X	X	X	X	X	X	X	X
13	75086875	7	Screw, #10 Self Tapping	X	X	X	X	X	X	X	X	X	X
14	7500009-8 <sup>ABCD</sup>	2	1/4-20 x 1/2" SHCS	X	X	X	X	X	X	X	X	X	X
15	43017148 <sup>C</sup>	1	Torsion Bar Support, 1/2"	X	X	X	X		X	X	X	X	
	43017150 <sup>D</sup>		Torsion Bar Support, 9/16"					X					X
16	43017147 <sup>A</sup>	1	Torsion Bar Support, 3/8"	X	X				X	X			
	43017149 <sup>B</sup>		Torsion Bar Support, 1/2"			X	X	X			X	X	X
17	75086218	2	Hex Bolt, 3/8-16 x 1.25", Gr 8	X	X	X	X	X	X	X	X	X	X
18	75085168	4	Hog Ring	X	X	X	X	X	X	X	X	X	X
19	43020213	2	Side Chain, 36" deep	X	X	X	X	X	X	X	X	X	X
20	43016382	2	Side Chain Sleeve 36" deep	X	X	X	X	X	X	X	X	X	X
21	75080125	2	Side Chain U-Bolt	X	X	X	X	X	X	X	X	X	X
22	75085178	4	Side Chain U-Bolt Nut	X	X	X	X	X	X	X	X	X	X
23	75089294	1	Rubber Handle	X	X	X	X	X	X	X	X	X	X

Torsion Bar Kits:  
A Included in kit 80004717 (3/8" x 81" Driver Side)  
B Included in kit 80004716 (1/2" x 81" Driver Side)  
C Included in kit 80004718 (1/2" x 81" Curbside)  
D Included in kit 80004719 (9/16" x 81" Curbside)

Note: Each kit contains components to replace one torsion bar



**ALUMINUM SINGLE PIECE PLATFORMS  
12" RAMP with Cart Stops  
MANUAL FOLD**



REVISED: 8-1-15  
E.O. 6868  
REV 01

**PM-913**

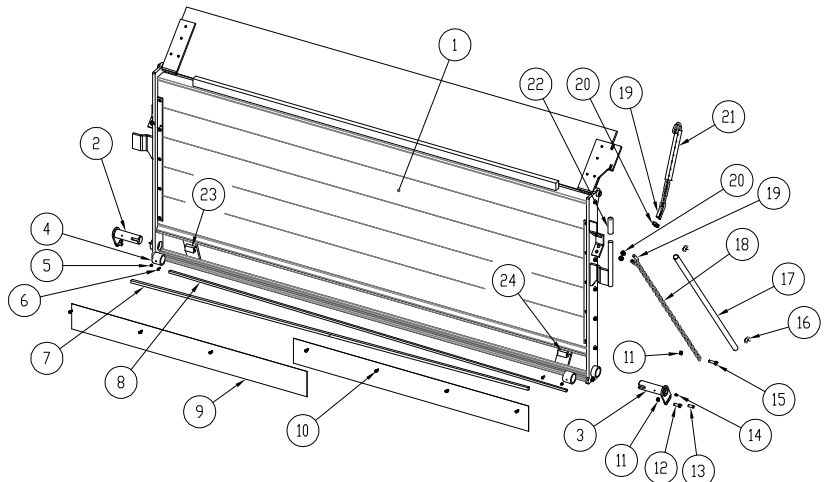


ITEM	PART No.	QTY	DESCRIPTION	MDL-12/30			MDL-12/20		MDL-12/30			MDL-12/20	
				36x89	42x89	48x89	54x89	60x89	36x95	42x95	48x95	54x95	60x95
1	43211000	1	Platform Assy, 36x89+12 ARR	X									
	43211001		Platform Assy, 42x89+12 ARR		X								
	43211002		Platform Assy, 48x89+12 ARR			X							
	43211003		Platform Assy, 54x89+12 ARR				X						
	43211004		Platform Assy, 60x89+12 ARR					X					
	43211005		Platform Assy, 36x95+12 ARR						X				
	43211006		Platform Assy, 42x95+12 ARR							X			
	43211007		Platform Assy, 48x95+12 ARR								X		
	43211008		Platform Assy, 54x95+12 ARR									X	
43211009	Platform, Assy, 60x95+12 ARR										X		
2	43016689 <sup>A</sup>	1	Hinge Pin, Driver Side, 3/8" TB	X						X			
	43016790 <sup>B</sup>		Hinge Pin, Driver Side, 1/2" TB		X	X					X	X	
	43016665 <sup>C</sup>		Hinge Pin, Driver Side, 5/8" TB				X	X				X	X
3	43016690 <sup>D</sup>	1	Hinge Pin, Curb Side, 1/2" TB	X	X		X		X	X		X	
	43016691 <sup>E</sup>		Hinge Pin, Curb Side, 9/16" TB			X					X		
	43016666 <sup>F</sup>		Hinge Pin, Curb Side, 5/8" TB					X					X
4	43020205 <sup>ABCDEF</sup>	2	1 1/2" ID Pin Collar	X	X	X	X	X	X	X	X	X	X
5	7500047-6 <sup>ABCDEF</sup>	2	Set Screw, 1/4-20 x 3/8", Self Locking	X	X	X	X	X	X	X	X	X	X
6	7500009-8 <sup>ABCDEF</sup>	2	SHCS, 1/4-20 x 1/2"	X	X	X	X	X	X	X	X	X	X
7	43020241 <sup>D</sup>	1	Torsion Bar, 1/2" x 81"	X	X					X	X		
	43020245 <sup>E</sup>		Torsion Bar, 9/16" x 81"			X						X	
	43020250 <sup>F</sup>		Torsion Bar, 5/8" x 81"				X	X					X
8	43020237 <sup>A</sup>	1	Torsion Bar, 3/8" x 81"	X						X			
	43020241 <sup>B</sup>		Torsion Bar, 1/2" x 81"		X	X	X				X	X	
	43020250 <sup>C</sup>		Torsion Bar, 5/8" x 81"					X					X
9	43020174	2	Torsion Bar Cover	X	X	X	X	X	X	X	X	X	X
10	75086875	7	Screw, #10 x 3/4" Self Tapping	X	X	X	X	X	X	X	X	X	X
11	75085188 <sup>ABCDEF</sup>	4	Centerlock Nut, 3/8-16"	X	X	X	X	X	X	X	X	X	X
12	7500010-6 <sup>ABCDEF</sup>	2	Hex Bolt, 3/8-16 x 1", Gr 8	X	X	X	X	X	X	X	X	X	X
13	75089555 <sup>ABCDEF</sup>	2	Slotted Pin, 3/8" x 1"	X	X	X	X	X	X	X	X	X	X
14	75089306 <sup>ABCDEF</sup>	2	Grease Zerk	X	X	X	X	X	X	X	X	X	X
15	75086218	2	Hex Bolt, 3/8-16 x 1.25", Gr 8	X	X	X	X	X	X	X	X	X	X
16	75085168	4	Hog Ring	X	X	X	X	X	X	X	X	X	X
17	43012382	2	Chain Cover, 30" Deep	X						X			
	43016382		Chain Cover, 36" Deep		X	X	X	X			X	X	X
18	43120213	2	Side Chain, 30" Deep	X						X			
	43020213		Side Chain, 36" Deep		X	X	X	X			X	X	X
19	75080125	3	U-Bolt	X	X	X	X	X	X	X	X	X	X
20	75085178	6	Nylock Lock Nut, 7/16"	X	X	X	X	X	X	X	X	X	X
21	43273600	1	Ramp Chain Assy	X	X	X	X	X	X	X	X	X	X
22	75089294	1	Rubber Handle	X	X	X	X	X	X	X	X	X	X
23	43017148 <sup>D</sup>	1	Torsion Bar Support, 1/2" DS	X	X		X			X	X		X
	43017150 <sup>E</sup>		Torsion Bar Support, 9/16" DS			X					X		
	34517150 <sup>F</sup>		Torsion Bar Support, 5/8" DS					X					X
24	43017147 <sup>A</sup>	1	Torsion Bar Support, 3/8" CS	X						X			
	43017149 <sup>B</sup>		Torsion Bar Support, 1/2" CS		X	X					X	X	
	34517151 <sup>C</sup>		Torsion Bar Support, 5/8" CS				X	X				X	X

Torsion Bar Kits:

- <sup>A</sup> Included in kit 80004717 (3/8" x 81" Driver Side)
- <sup>B</sup> Included in kit 80004716 (1/2" x 81" Driver Side)
- <sup>C</sup> Included in kit 80004723 (5/8" x 81" Driver Side)
- <sup>D</sup> Included in kit 80004718 (1/2" x 81" Curbside)
- <sup>E</sup> Included in kit 80004719 (9/16" x 81" Curbside)
- <sup>F</sup> Included in kit 80004724 (5/8" x 81" Curbside)

Note: Each kit contains components to replace one torsion bar



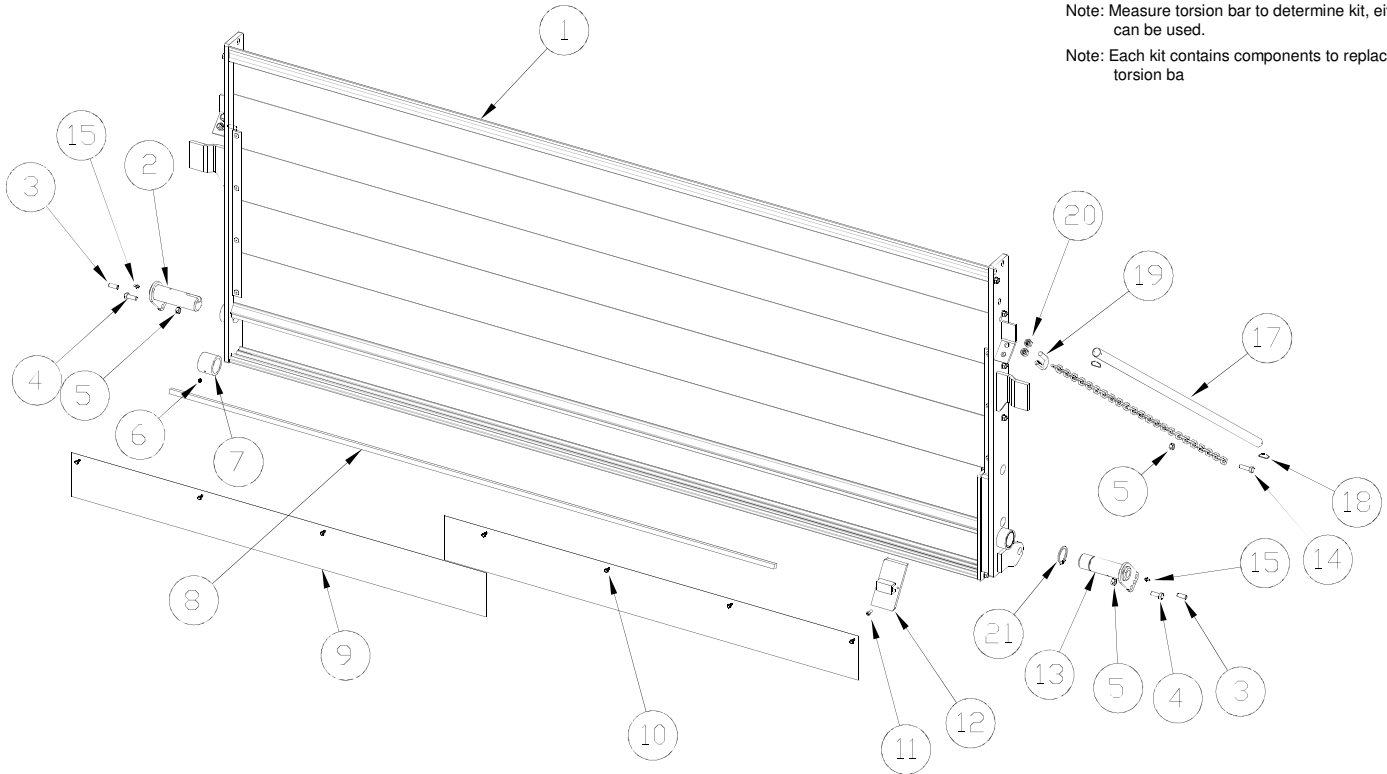
**ALUMINUM SINGLE PIECE PLATFORMS  
12" ALUM RETENTION RAMP  
MANUAL FOLD**

**WALTCO LIFT CORP.  
MDL**

REVISED: 8-1-15  
E.O. 6868  
REV 01



ITEM	PART NUMBER	QTY	DESCRIPTION	MDL-12/16/20/30				MDL-12/16/20		MDL-12/16/20/30		MDL-12/16/20	
				30x89	36x89	42x89	48x89	54x89	60x89	42x95	48x95	54x95	60x95
1	43017100	1	MDL APPC, 30x89+6	X									
	43117101		MDL APPC, 36x89+6		X								
	43117102		MDL APPC, 42x89+6			X							
	43117103		MDL APPC, 48x89+6				X						
	43117104		MDL APPC, 54x89+6					X					
	43117105		MDL APPC, 60x89+6						X				
	43117183		MDL APPC, 42x95+6							X			
	43117184		MDL APPC, 48x95+6								X		
	43117185		MDL APPC, 54x95+6						X			X	
43117186	MDL APPC, 60x95+6										X		
2	43016664 <sup>A</sup>	1	9/16" TB Hinge Pin, 1-1/2" Dia	X	X	X	X	X	X	X	X	X	X
	43016690 <sup>B</sup>		1/2" TB Hinge Pin, 1-1/2" Dia										
3	75089555 <sup>AB</sup>	2	Slotted Pin, 3/8" Dia x 1"	X	X	X	X	X	X	X	X	X	X
4	7500010-6 <sup>AB</sup>	2	Hex Bolt, 3/8-16 x 1", GR 8	X	X	X	X	X	X	X	X	X	X
5	75085188 <sup>AB</sup>	4	3/8-16 Hex Nut, Centerlock	X	X	X	X	X	X	X	X	X	X
6	7500047-6 <sup>AB</sup>	1	Set Screw 1/4-20 x 3/8" Self Locking	X	X	X	X	X	X	X	X	X	X
7	43020205 <sup>AB</sup>	1	1-1/2" ID Pin Collar	X	X	X	X	X	X	X	X	X	X
8	43020245 <sup>A</sup>	1	Torsion Bar, 9/16" x 81"	X	X	X	X	X	X	X	X	X	X
	43020270 <sup>B</sup>		Torsion Bar, 1/2" x 70"										
9	43020174	2	Torsion Bar Cover, 45"	X	X	X	X	X	X	X	X	X	X
10	75086875	7	Screw, #10 Self Tapping	X	X	X	X	X	X	X	X	X	X
11	7500009-8 <sup>AB</sup>	1	Sock Head Cap Screw, 1/4-20 x 1/2"	X	X	X	X	X	X	X	X	X	X
12	43017151 <sup>A</sup>	1	Torsion Bar Anchor, MDL-AP, 9/16"	X	X	X	X	X	X	X	X	X	X
	43017149 <sup>B</sup>		Torsion Bar Anchor, MDL-AP, 1/2"										
13	43016663	1	Hinge Pin, Blank, Grooved, CS	X	X	X	X	X	X	X	X	X	X
14	75086218	2	Hex Bolt, 3/8-16 x 1-1/4", GR 8	X	X	X	X	X	X	X	X	X	X
15	75089306 <sup>AB</sup>	2	Grease Zerk 1/4-28	X	X	X	X	X	X	X	X	X	X
16	43020213	2	Support Chain, 36" Deep	X									
	43220213		Support Chain, 49" Deep		X	X	X	X	X	X	X	X	X
	43016382		Chain Cover, 36" Deep	X									
17	43116382	2	Chain Cover, 49" Deep		X	X	X	X	X	X	X	X	
18	75085168	4	Hog Ring, SS, 1" Blunt, 14 GA	X	X	X	X	X	X	X	X	X	X
19	75080125	2	U-Bolt, #4, 7/16-14 x 2"	X	X	X	X	X	X	X	X	X	X
20	75085178	4	Hex Nut, 7/16-14, Nylock	X	X	X	X	X	X	X	X	X	X
21	75001010	1	Snap Ring	X	X	X	X	X	X	X	X	X	X



Torsion Bar Kit:  
<sup>A</sup> Included in kit 80004720 (9/16" x 81" Driver Side)  
<sup>B</sup> Included in kit 80004727 (1/2" x 70" Driver Side)  
 Note: Measure torsion bar to determine kit, either kit can be used.  
 Note: Each kit contains components to replace one torsion bar

**ALUMINUM SINGLE PIECE PLATFORMS  
 6" RAMP  
 W/POWER CLOSE**

**WALTCO LIFT CORP.  
 MDL**

REVISED: 8-1-15  
 E.O. 6868  
 REV 01

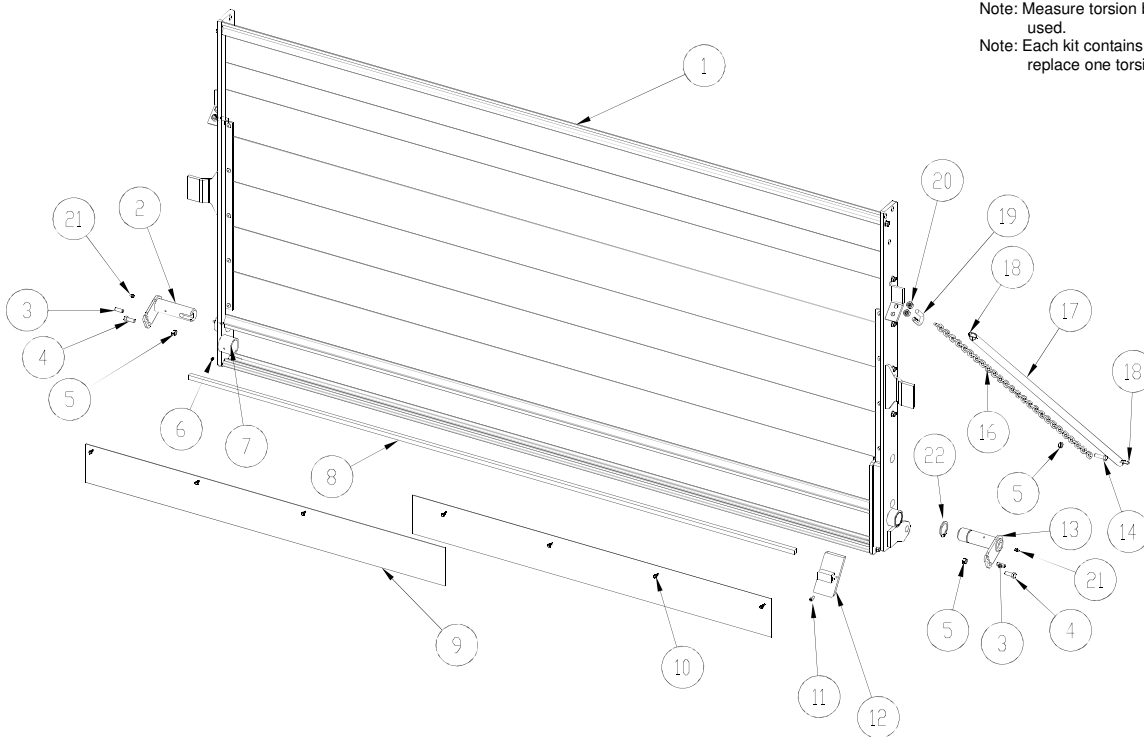
**PM-904**

ITEM	PART NUMBER	QTY	DESCRIPTION	30x89	36x89	42x89	48x89	54x89	36x95	42x95	48x95	54x95	
1	43017101	1	MDL APPC, 30x89+12	X									
	43117106		MDL APPC, 36x89+12		X								
	43117110		MDL APPC, 36x89+12 C/S										
	43117107		MDL APPC, 42x89+12			X							
	43117111		MDL APPC, 42x89+12 C/S										
	43117108		MDL APPC, 48x89+12				X						
	43117112		MDL APPC, 48x89+12 C/S										
	43117109		MDL APPC, 54x89+12						X				
	43117113		MDL APPC, 54x89+12 C/S										
	43117195		MDL APPC, 36x95+12							X			
	43117199		MDL APPC, 36x95+12 C/S										
	43117196		MDL APPC, 42x95+12								X		
	43117200		MDL APPC, 42x95+12 C/S									X	
	43117197		MDL APPC 48x95+12										X
	43117201		MDL APPC, 48x95+12 C/S										
43117198	MDL APPC, 54x95+12										X		
43117202	MDL APPC, 54x95+12 C/S												
2	43016664 <sup>A</sup>	1	9/16" TB Hinge Pin, 1-1/2" Dia	X	X	X	X	X	X	X	X	X	
	43016690 <sup>B</sup>		1/2" TB Hinge Pin, 1-1/2" Dia	X	X	X	X	X	X	X	X	X	
3	75089555 <sup>AB</sup>	2	Slotted Pin, 3/8" Dia x 1"	X	X	X	X	X	X	X	X		
4	7500010-6 <sup>AB</sup>	2	Hex Bolt, 3/8-16 x 1", GR 8	X	X	X	X	X	X	X	X		
5	75085188 <sup>AB</sup>	4	3/8-16 Hex Nut, Centerlock	X	X	X	X	X	X	X	X		
6	7500047-6 <sup>AB</sup>	1	Set Screw 1/4-20 x 3/8" Self Locking	X	X	X	X	X	X	X	X		
7	43020205 <sup>AB</sup>	1	1-1/2" ID Pin Collar	X	X	X	X	X	X	X	X		
8	43020245 <sup>A</sup>	1	Torsion Bar, 9/16" x 81"	X	X	X	X	X	X	X	X	X	
	43020270 <sup>B</sup>		Torsion Bar, 1/2" x 70"	X	X	X	X	X	X	X	X	X	
9	43020174	2	Torsion Bar Cover, 45"	X	X	X	X	X	X	X	X		
10	75086875	7	Screw, #10 Self Tapping	X	X	X	X	X	X	X	X		
11	7500009-8 <sup>AB</sup>	1	Socket Head Cap Screw, 1/4-20 x 1/2"	X	X	X	X	X	X	X	X		
12	43017151 <sup>A</sup>	1	Torsion Bar Anchor, 9/16" CS	X	X	X	X	X	X	X	X	X	
	43020595 <sup>B</sup>		Torsion Bar Anchor, 1/2" CS	X	X	X	X	X	X	X	X	X	
13	43016663	1	Hinge Pin, Blank, CS	X	X	X	X	X	X	X	X		
14	75086218	2	Hex Bolt, 3/8-16 x 1-1/4", GR 8	X	X	X	X	X	X	X	X		
15													
16	43220213	2	Support Chain, 49" Deep	X	X	X	X	X	X	X	X	X	
17	43116382	2	Chain Cover, 49" Deep	X	X	X	X	X	X	X	X	X	
18	75085168	4	Hog Ring, SS, 1" Blunt, 14 GA	X	X	X	X	X	X	X	X	X	
19	75080125	2	U-Bolt, #4, 7/16-14 x 2"	X	X	X	X	X	X	X	X	X	
20	75085178	4	Hex Nut, 7/16-14, Nylock	X	X	X	X	X	X	X	X	X	
21	75089306 <sup>AB</sup>	2	Grease Zerk	X	X	X	X	X	X	X	X	X	
22	75001010	1	Snap Ring	X	X	X	X	X	X	X	X	X	

Torsion Bar Kit:  
<sup>A</sup> Included in kit 80004720 (9/16" x 81" Driver Side)  
<sup>B</sup> Included in kit 80004726 (1/2" x 70" Driver Side)

Note: Measure torsion bar to determine kit, either kit can be used.

Note: Each kit contains components to replace one torsion bar



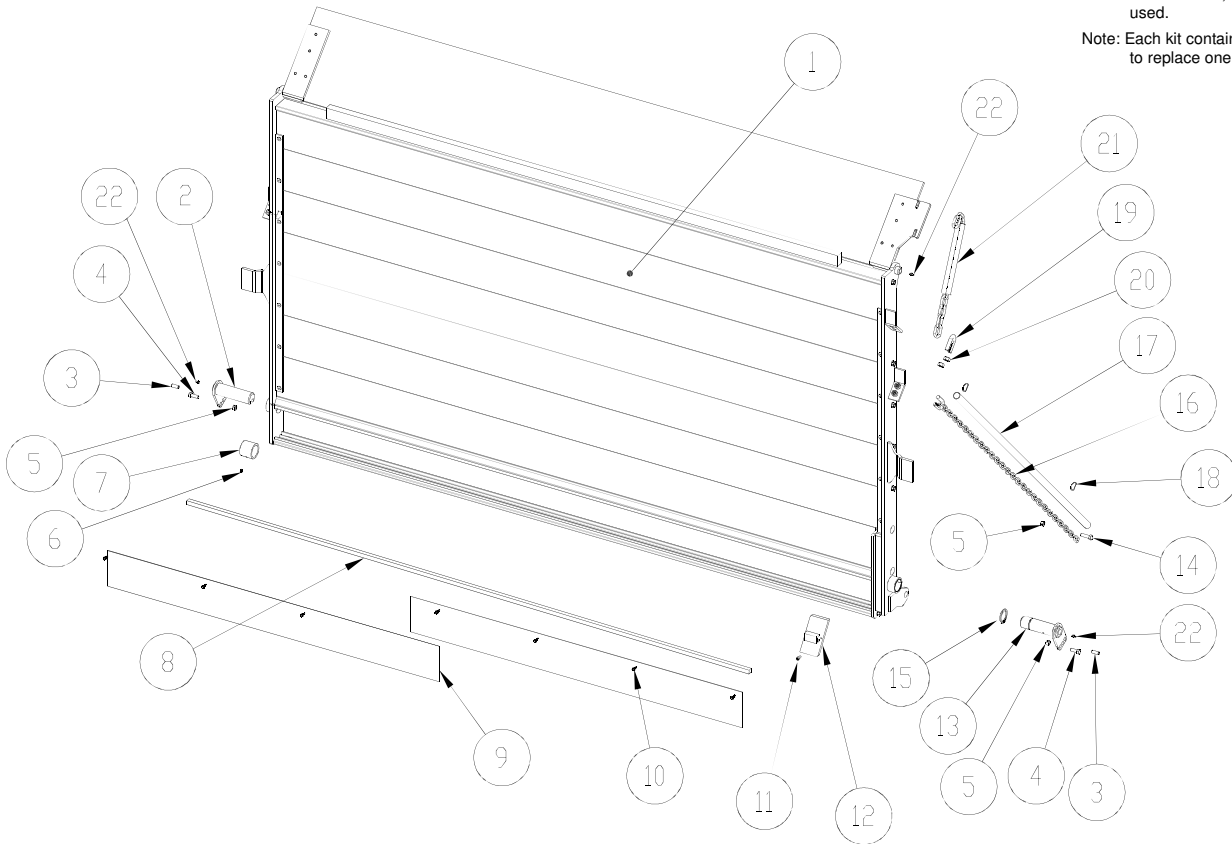
**ALUMINUM SINGLE PIECE PLATFORMS  
12" RAMP AND 12" RAMP W/CART STOPS  
W/POWER CLOSE**

ITEM	PART NUMBER	QTY	DESCRIPTION	36x89	42x89	48x89	54x89	60x89	36x95	42x95	48x95	54x95	60x95	
1	43211010	1	MDL APPC, 36x89+12 ARR	X										
	43211011		MDL APPC, 42x89+12 ARR		X									
	43211012		MDL APPC, 48x89+12 ARR			X								
	43211013		MDL APPC, 54x89+12 ARR				X							
	43211014		MDL APPC, 60x89+12 ARR					X						
	43211015		MDL APPC, 36x95+12 ARR						X					
	43211016		MDL APPC, 42x95+12 ARR							X				
	43211017		MDL APPC, 48x95+12 ARR								X			
	43211018		MDL APPC, 54x95+12 ARR									X		
43211019	MDL APPC, 60x95+12 ARR										X	X		
2	43016664 <sup>A</sup>	1	9/16" TB Hinge Pin, 1-1/2" Dia	X	X	X	X	X	X	X	X	X	X	
	43016690 <sup>B</sup>		1/2" TB Hinge Pin, 1-1/2" Dia											
3	75089555 <sup>AB</sup>	2	Slotted Pin, 3/8" Dia x 1"	X	X	X	X	X	X	X	X	X	X	
4	7500010-6 <sup>AB</sup>	2	Hex Bolt, 3/8-16 x 1", GR 8	X	X	X	X	X	X	X	X	X	X	
5	75085188 <sup>AB</sup>	4	3/8-16 Hex Nut, Centerlock	X	X	X	X	X	X	X	X	X	X	
6	7500047-6 <sup>AB</sup>	1	Set Screw 1/4-20 x 3/8" Self Locking	X	X	X	X	X	X	X	X	X	X	
7	43020205 <sup>AB</sup>	1	1-1/2" ID Pin Collar	X	X	X	X	X	X	X	X	X	X	
8	43020245 <sup>A</sup>	1	Torsion Bar, 9/16" x 81"	X	X	X	X	X	X	X	X	X	X	
	43020270 <sup>B</sup>		Torsion Bar, 1/2" x 70"											
9	43020174	2	Torsion Bar Cover, 45"	X	X	X	X	X	X	X	X	X	X	
10	75086875	7	Screw, #10 Self Tapping	X	X	X	X	X	X	X	X	X	X	
11	7500009-8 <sup>AB</sup>	1	Sock Head Cap Screw, 1/4-20 x 1/2"	X	X	X	X	X	X	X	X	X	X	
12	43017151 <sup>A</sup>	1	Torsion Bar Support, 9/16" CS	X	X	X	X	X	X	X	X	X	X	
	43017149 <sup>B</sup>		Torsion Bar Support, 1/2" CS											
13	43016663	1	Hinge Pin, Blank, CS	X	X	X	X	X	X	X	X	X	X	
14	75086218	2	Hex Bolt, 3/8-16 x 1-1/4", GR 8	X	X	X	X	X	X	X	X	X	X	
15	75001010	1	Snap Ring	X	X	X	X	X	X	X	X	X	X	
16	43220213	2	Support Chain, 49" Deep	X	X	X	X	X	X	X	X	X	X	
17	43116382	2	Chain Cover, 49" Deep	X	X	X	X	X	X	X	X	X	X	
18	75085168	4	Hog Ring, SS, 1" Blunt, 14 GA	X	X	X	X	X	X	X	X	X	X	
19	75080125	2	U-Bolt, #4, 7/16-14 x 2"	X	X	X	X	X	X	X	X	X	X	
20	75085178	4	Hex Nut, 7/16-14, Nylock	X	X	X	X	X	X	X	X	X	X	
21	43273600	1	Chain Assembly	X	X	X	X	X	X	X	X	X	X	
22	75089306 <sup>AB</sup>	4	Grease Zerk	X	X	X	X	X	X	X	X	X	X	

Torsion Bar Kits:  
<sup>A</sup> Included in kit 80004720 (9/16" x 81", Driver Side)  
<sup>B</sup> Included in kit 80004727 (1/2" x 70", Driver Side)

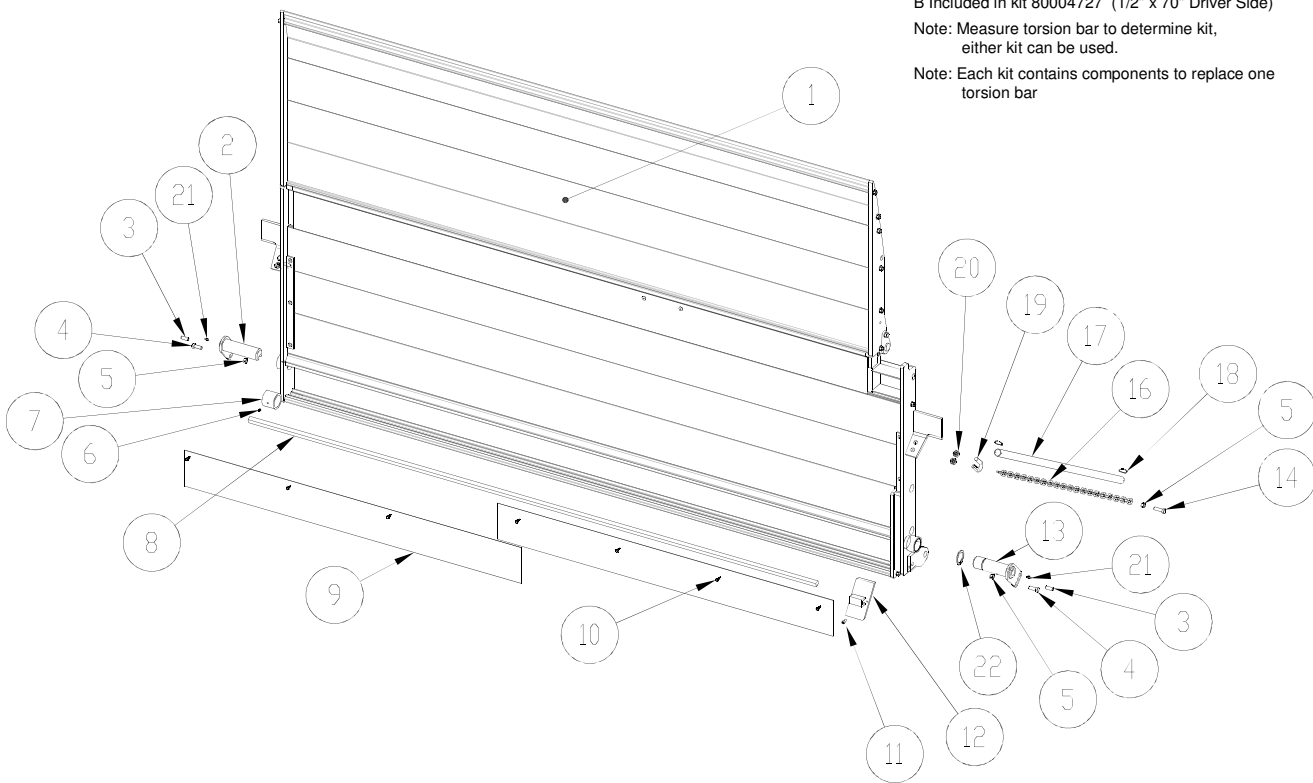
Note: Measure torsion bar to determine kit, either kit can be used.

Note: Each kit contains components to replace one torsion bar



**ALUMINUM SINGLE PIECE PLATFORMS  
12" ALUMINUM RETENSION RAMP (ARR)  
W/POWER CLOSE**

ITEM	PART NUMBER	QTY	DESCRIPTION	36x89+12	42x89+12	36x95+12	42x95+12
1	45914010	1	MDL APPC, 36x89+12 BRK @ 30"	X			
	45914030		MDL APPC, 36x89+12 C/S BRK @ 30"				
	45914011		MDL APPC, 42x89+12 BRK @ 30"		X		
	45914031		MDL APPC, 42x89+12 C/S BRK @ 30"				
	45914015		MDL APPC, 36x95+12 BRK @ 30"			X	
	45914035		MDL APPC, 36x95+12 C/S BRK @ 30"				
	45914016		MDL APPC, 42x95+12 BRK @ 30"				
	45914036		MDL APPC, 42x95+12 C/S BRK @ 30"				X
2	43016664 <sup>A</sup>	1	9/16" TB Hinge Pin, 1-1/2" Dia	X	X	X	X
	43016690 <sup>B</sup>		1/2" TB Hinge Pin, 1-1/2" Dia				
3	75089555 <sup>AB</sup>	2	Slotted Pin, 3/8" Dia x 1"	X	X	X	X
4	7500010-6 <sup>AB</sup>	2	Hex Bolt, 3/8-16 x 1", GR 8	X	X	X	X
5	75085188 <sup>AB</sup>	4	3/8-16 Hex Nut, Centerlock	X	X	X	X
6	7500047-6 <sup>AB</sup>	1	Set Screw 1/4-20 x 3/8" Self Locking	X	X	X	X
7	43020205 <sup>AB</sup>	1	1-1/2" ID Pin Collar	X	X	X	X
8	43020245 <sup>A</sup>	1	Torsion Bar, 9/16" x 81"	X	X	X	X
	43020270 <sup>B</sup>		Torsion Bar, 1/2" x 70"				
9	43020174	2	Torsion Bar Cover, 45"	X	X	X	X
10	75086875	7	Screw, #10 Self Tapping	X	X	X	X
11	7500009-8 <sup>AB</sup>	1	Socket Head Cap Screw, 1/4-20 x 1/2"	X	X	X	X
12	43017151 <sup>A</sup>	1	Torsion Bar Anchor, 9/16" CS	X	X	X	X
	43017149 <sup>B</sup>		Torsion Bar Anchor, 1/2" CS				
13	43016663	1	Hinge Pin, Blank, CS	X	X	X	X
14	75086218	2	Hex Bolt, 3/8-16 x 1-1/4", GR 8	X	X	X	X
15	75001010	1	Snap Ring, Heavy Duty, 1-1/2" Shaft	X	X	X	X
16	43120213	2	Support Chain, 30" Deep	X	X	X	X
17	43012382	2	Chain Cover, 30" Deep	X	X	X	X
18	75085168	4	Hog Ring, SS, 1" Blunt, 14 GA	X	X	X	X
19	75080125	2	U-Bolt, #4, 7/16-14 x 2"	X	X	X	X
20	75085178	4	Hex Nut, 7/16-14, Nylock	X	X	X	X
21	75089306 <sup>AB</sup>	4	Grease Zerk	X	X	X	X
22	75001010	1	Snap Ring	X	X	X	X



**Torsion Bar Kits:**

- A Included in kit 80004720 (9/16" x 81" Driver Side)
- B Included in kit 80004727 (1/2" x 70" Driver Side)

Note: Measure torsion bar to determine kit, either kit can be used.

Note: Each kit contains components to replace one torsion bar

**ALUMINUM TWO PIECE PLATFORMS  
12" RAMP AND 12" RAMP W/CART STOPS  
BREAK AT 30"  
W/POWER CLOSE**

**WALTCO LIFT CORP.  
MDL**

REVISED: 8-1-15  
E.O. 6868  
REV 01

**PM-909**

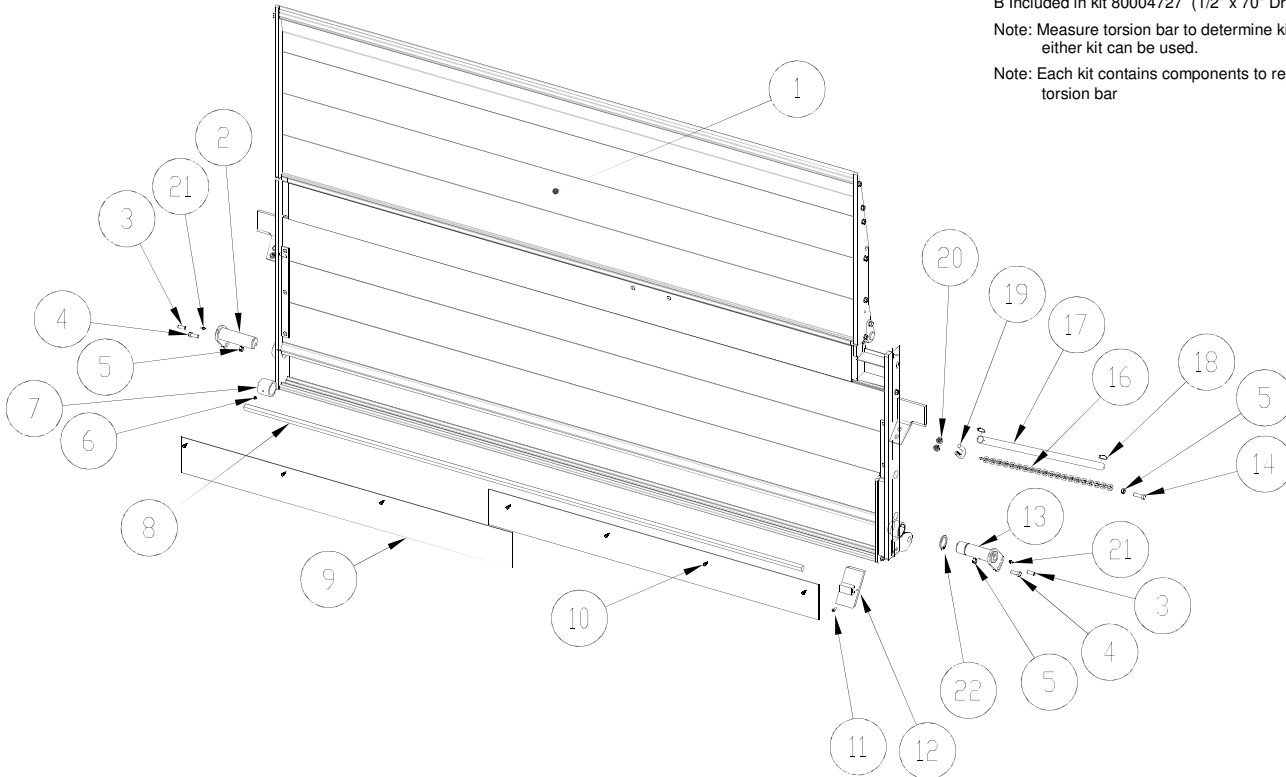
ITEM	PART NUMBER	QTY	DESCRIPTION	MDL-12/16/20/30		MDL-12/16/20	MDL-12/16/20/30		MDL-12/16/20
				42x89+12	48x89+12	54x89+12	42x95+12	48x95+12	54x95+12
1	45914012	1	MDL APPC, 42x89+12 BRK @ 36"						
	45914032		MDL APPC, 42x89+12 C/S BRK @ 36"	X					
	45914013		MDL APPC, 48x89+12 BRK @ 36"						
	45914033		MDL APPC, 48x89+12 C/S BRK @ 36"		X				
	45914014		MDL APPC, 54x89+12 BRK @ 36"				X		
	45914034		MDL APPC, 54x89+12 C/S BRK @ 36"						
	45914017		MDL APPC, 42x95+12 BRK @ 36"						
	45914037		MDL APPC, 42x95+12 C/S BRK @ 36"					X	
	45914018		MDL APPC, 48x95+12 BRK @ 36"						
	45914038		MDL APPC, 48x95+12 C/S BRK @ 36"						X
45914019	MDL APPC, 54x95+12 BRK @ 36"								
45914039	MDL APPC, 54x95+12 C/S BRK @ 36"							X	
2	43016664 <sup>A</sup>	1	9/16" TB Hinge Pin, 1-1/2" Dia	X	X	X	X	X	X
	43016690 <sup>B</sup>		1/2" TB Hinge Pin, 1-1/2" Dia						
3	75089555 <sup>AB</sup>	2	Slotted Pin, 3/8" Dia x 1"	X	X	X	X	X	X
4	7500010-6 <sup>AB</sup>	2	Hex Bolt, 3/8-16 x 1", GR 8	X	X	X	X	X	X
5	75085188 <sup>AB</sup>	4	3/8-16 Hex Nut, Centerlock	X	X	X	X	X	X
6	7500047-6 <sup>AB</sup>	1	Set Screw 1/4-20 x 3/8" Self Locking	X	X	X	X	X	X
7	43020205 <sup>AB</sup>	1	1-1/2" ID Pin Collar	X	X	X	X	X	X
8	43020245 <sup>A</sup>	1	Torsion Bar, 9/16" x 81"	X	X	X	X	X	X
	43020270 <sup>B</sup>		Torsion Bar, 1/2" x 70"						
9	43020174	2	Torsion Bar Cover, 45"	X	X	X	X	X	X
10	75086875	7	Screw, #10 Self Tapping	X	X	X	X	X	X
11	7500009-8 <sup>AB</sup>	1	Sock Head Cap Screw, 1/4-20 x 1/2"	X	X	X	X	X	X
12	43017151 <sup>A</sup>	1	Torsion Bar Support, MDL-AP, 9/16" CS	X	X	X	X	X	X
	43017149 <sup>B</sup>		Torsion Bar Support, MDL-AP, 1/2" CS						
13	43016663	1	Hinge Pin, Blank, Grooved, CS	X	X	X	X	X	X
14	75086218	2	Hex Bolt, 3/8-16 x 1-1/4", GR 8	X	X	X	X	X	X
15	75001010	1	Snap Ring, Heavy Duty, 1-1/2" Shaft	X	X	X	X	X	X
16	43020213	2	Support Chain, 36" Deep	X	X	X	X	X	X
17	43016382	2	Chain Cover, 36" Deep	X	X	X	X	X	X
18	75085168	4	Hog Ring, SS, 1" Blunt, 14 GA	X	X	X	X	X	X
19	75080125	2	U-Bolt, #4, 7/16-14 x 2"	X	X	X	X	X	X
20	75085178	4	Hex Nut, 7/16-14, Nylock	X	X	X	X	X	X
21	75089306 <sup>AB</sup>	4	Grease Zerk	X	X	X	X	X	X
22	75001010	1	Snap Ring	X	X	X	X	X	X

**Torsion Bar Kits:**

A Included in kit 80004720 (9/16" x 81" Driver Side)  
 B Included in kit 80004727 (1/2" x 70" Driver Side)

Note: Measure torsion bar to determine kit,  
 either kit can be used.

Note: Each kit contains components to replace one  
 torsion bar



**ALUMINUM TWO PIECE PLATFORMS  
 12" RAMP AND 12" RAMP W/CART STOPS  
 BREAK AT 36"  
 W/POWER CLOSE**

**WALTCO LIFT CORP.  
 MDL**

REVISED: 8-1-15  
 E.O. 6868  
 REV 01

**PM-910**

ITEM	PART No.	QTY	DESCRIPTION	30x89	36x89
1	43616999	1	Deck MDLBG-16/20, 30x89	X	
	43616561		Deck MDLBG-16/20, 36x89		X
2	43617003	1	Rail Assy, C/S	X	X
3	43617004	1	Rail Assy, D/S	X	X
4	43630442	1	Rail Assy Upright, C/S	X	X
5	43630572	1	Rail Assy Upright, D/S	X	X
6	43617001	2	Rail Side Tube Assy, 30"	X	
	43617056		Rail Side Tube Assy, 36"		X
7	43669334	1	Flip Ramp Assy, 45x16	X	X
8	7500010-27	2	Hex Bolt, 1/2-13x3-1/2" Gr 2	X	X
9	7500016-2	2	Hex Bolt, 1/2-13x2-1/2" Gr 8	X	X
10	7500010-24	2	Hex Bolt, 1/2-13x8" Gr 5	X	X
11	75085162	8	Lock Nut, Nylon 1/2-13	X	X
12	75088056	16	Washer, 1/2" Flat	X	X
13	7500010-28	2	Hex Bolt, 1/2-13x5" Gr 2	X	X
14	75088053	4	Washer, 3/8" Flat	X	X
15	7500010-17	4	Hex Bolt, 3/8-16x3" Gr 8	X	X
16	75085188 <sup>ABC</sup>	11	Lock Nut, 3/8-16, Centerlock	X	X
17	44320367	2	Nylon Roller, 1-1/4" Lg	X	X
18	43630277	2	Nylon Roller, 7/8" Lg	X	X
19	75089594	2	Antiluce, 1/2" Bolt on	X	X
20	43617029	2	Flip Ramp Latch	X	X
21	75089303	12	Grease Zerk, 3/16"	X	X
22	75089597	4	Plastic Plug	X	X
23	42669299	1	Roll Stop,UHMMW	X	X
24	7500009-2	1	Socket Head Cap Screw	X	X
25	43012382	2	Chain Cover, 30" Deep	X	X
26	75085992	6	Screw Flat Head Socket, 3/8-16x1/4"	X	X

27	42669335	1	Ramp Hinge Assy, C/S	X	X
28	42669336	1	Ramp Hinge Assy, D/S	X	X
29	75089294	1	Handle Grip, Rubber	X	X
30	43016790 <sup>A</sup>	1	Hinge Pin Assy, Driver Side, 1/2" TB	X	X
31	43016690 <sup>B</sup>	1	Hinge Pin Assy, Curb Side, 1/2" TB	X	
	43016691 <sup>C</sup>		Hinge Pin Assy, Curb Side, 9/16" TB		X
32	43020205 <sup>ABC</sup>	2	Hinge Pin Collar	X	X
33	43020241 <sup>A</sup>	1	Torsion Bar, 1/2" x 81"	X	X
34	7500047-6 <sup>ABC</sup>	2	Set Screw, 1/4-20x3/8" Self Lock	X	X
35	43120213	2	Support Chain Assy, 30" Deep	X	X
36	75080125	2	U-Bolt	X	X
37	75085178	4	Side Chain U-Bolt Nut	X	X
38	75089306 <sup>ABC</sup>	2	Grease Zerk, 1/4-28	X	X
39	75086218	2	Hex Bolt, 3/8-16 x 1-1/4" Gr 8	X	X
40	7500010-6 <sup>ABC</sup>	2	Hex Bolt, 3/8-16 x 1" Gr 8	X	X
41	75089555 <sup>ABC</sup>	2	Slotted Pin, 3/8 x 1"	X	X
42	75085168	4	Hog Ring	X	X
43	43020241 <sup>B</sup>	1	Torsion Bar, 1/2" x 81"	X	
	43020245 <sup>C</sup>		Torsion Bar, 9/16" x 81"		X
44	43020595 <sup>B</sup>	1	Torsion Bar Anchor, 1/2"	X	
	43020248 <sup>C</sup>		Torsion Bar Anchor, 9/16"		X
45	43020595 <sup>A</sup>	1	Torsion Bar Anchor, 1/2"	X	X

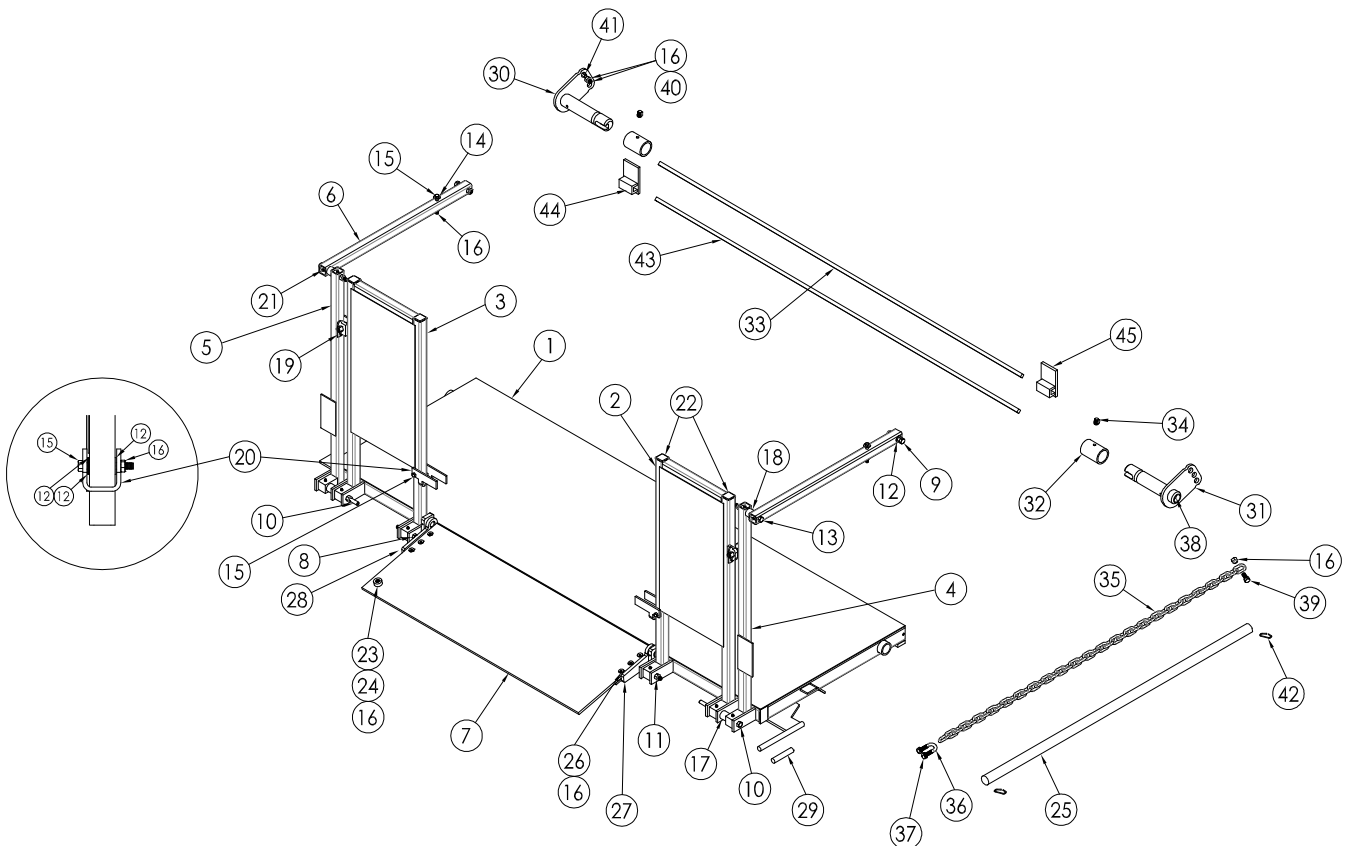
Torsion Bar Kits:

<sup>A</sup> Included in kit 80004711 (1/2" x 81" Driver Side)

<sup>B</sup> Included in kit 80004713 (1/2" x 81" Curbside)

<sup>C</sup> Included in kit 80004714 (9/16" x 81" Curbside)

Note: Each kit contains components to replace one torsion bar



STEEL MDLBG PLATFORMS  
MANUAL CLOSE

**WALTCO** LIFT CORP.  
MDL

REVISED: 8-1-15  
E.O. 6868  
REV 04

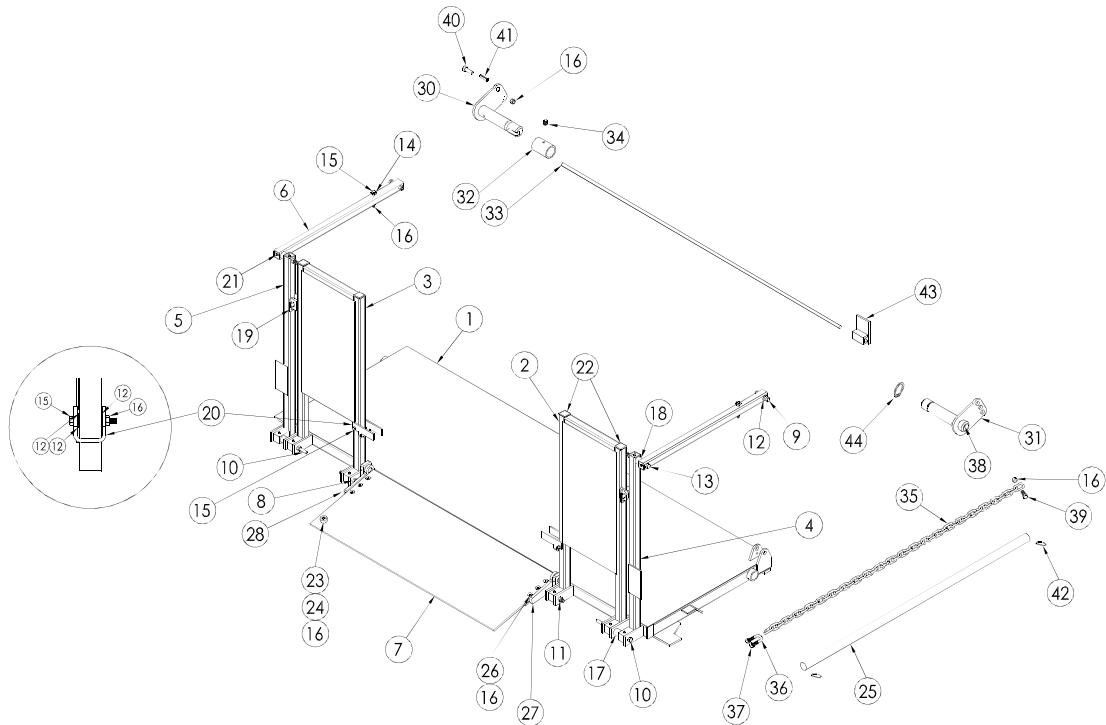
**PM-820A**

ITEM	PART No.	QTY	DESCRIPTION	30" Deep	36" Deep
1	43617034	1	Deck MDL BG-16/20, 30x89 PC	X	
	43616521		Deck MDL BG-16/20, 30x95 PC		
	43617051		Deck MDL BG-16/20, 36x89 PC		
	43616531		Deck MDL BG-16/20, 36x95 PC		
2	43617003	1	Rail Assy, C/S	X	X
3	43617004	1	Rail Assy, D/S	X	X
4	43630442	1	Rail Assy Upright, C/S	X	X
5	43630572	1	Rail Assy Upright, D/S	X	X
6	43617037	2	Rail Side Tube Assy, 30"	X	
	43617056		Rail Side Tube Assy, 36"		
7	43669334	1	Flip Ramp Assy, 45x16 use with 89" wide decks		
	43618029		Flip Ramp Assy, 51x16 use with 95" wide decks		
8	7500010-27	2	Hex Bolt, 1/2-13x3-1/2" Gr 2	X	X
9	7500016-2	2	Hex Bolt, 1/2-13x2-1/2" Gr 8	X	X
10	7500010-24	2	Hex Bolt, 1/2-13x8" Gr 5	X	X
11	75085162	8	Lock Nut, Nylon 1/2-13	X	X
12	75088056	16	Washer, 1/2" Flat	X	X
13	7500010-28	2	Hex Bolt, 1/2-13x5" Gr 2	X	X
14	75088053	4	Washer, 3/8" Flat	X	X
15	7500010-17	4	Hex Bolt, 3/8-16x3" Gr 8	X	X
16	75085188 <sup>A</sup>	11	Lock Nut, 3/8-16, Centerlock	X	X
17	44320367	2	Nylon Roller, 1-1/4" Lg	X	X
18	43630277	2	Nylon Roller, 7/8" Lg	X	X
19	75089594	2	Antiluce, 1/2" Bolt on	X	X
20	43617029	2	Flip Ramp Latch	X	X
21	75089303	12	Grease Zerk, 3/16"	X	X
22	75089597	4	Plastic Plug	X	X
23	42669299	1	Roll Stop,UHMW	X	X

24	7500009-2	1	Socket Head Cap Screw	X	X
25	43012382	2	Chain Cover, 30" Deep	X	X
26	75085992	6	Screw Flat Head Socket, 3/8-16x1/4"	X	X
27	42669335	1	Ramp Hinge Assy, C/S	X	X
28	42669336	1	Ramp Hinge Assy, D/S	X	X
29					
30	43016664 <sup>A</sup>	1	Hinge Pin Assy, Street Side, 9/16" TB	X	X
31	43016663	1	Hinge Pin Assy, Blank, Grooved, CS	X	X
32	43020205 <sup>A</sup>	1	Hinge Pin Collar	X	X
33	43020245 <sup>A</sup>	1	Torsion Bar, 9/16" x 81"	X	X
34	7500047-6 <sup>A</sup>	1	Set Screw, 1/4-20x3/8" Self Lock	X	X
35	43120213	2	Support Chain Assy, 30" Deep	X	X
36	75080125	2	U-Bolt	X	X
37	75085178	4	Side Chain U-Bolt Nut	X	X
38	75089306 <sup>A</sup>	2	Grease Zerk, 1/4-28	X	X
39	75086218	2	Hex Bolt, 3/8-16 x 1-1/4" Gr 8	X	X
40	7500010-6 <sup>A</sup>	2	Hex Bolt, 3/8-16 x 1" Gr 8	X	X
41	75089555 <sup>A</sup>	2	Slotted Pin, 3/8 x 1"	X	X
42	75085168	4	Hog Ring	X	X
43	43020248 <sup>A</sup>	1	Torsion Bar Anchor, 9/16"	X	X
44	75001010	1	Snap Ring	X	X

Torsion Bar Kits:

<sup>A</sup> Included in kit 80004725 (9/16" x 81" Driver Side)



## STEEL MDL BG PLATFORMS POWER CLOSE

**WALTCO** LIFT CORP.  
MDL

REVISED: 9-8-15  
E.O. 7378E  
REV 02

**PM-916**



ITEM	PART No.	QTY	DESCRIPTION	30x89	36x89
1	43618008	1	Deck MDLBG-AP-16/20, 30x89	X	
	43618009		Deck MDLBG-AP16/20, 36x89		X
2	43618016	1	Rail Assy, AP, C/S	X	X
3	43618017	1	Rail Assy, AP, D/S	X	X
4	43618018	1	Rail Assy Upright, AP, C/S	X	X
5	43618019	1	Rail Assy Upright, AP, D/S	X	X
6	43618025	2	Rail Side Tube Assy, AP, 30"	X	
	43618026		Rail Side Tube Assy, AP, 36"		X
7	43669334	1	Flip Ramp Assy, 45x16	X	X
8	7500010-27	2	Hex Bolt, 1/2-13x3-1/2" Gr 2	X	X
9	7500016-2	2	Hex Bolt, 1/2-13x2-1/2" Gr 8	X	X
10	7500010-24	2	Hex Bolt, 1/2-13x8" Gr 5	X	X
11	75085162	8	Lock Nut, Nylon 1/2-13	X	X
12	75088056	16	Washer, 1/2" Flat	X	X
13	7500010-28	2	Hex Bolt, 1/2-13x5" Gr 2	X	X
14	75088053	4	Washer, 3/8" Flat	X	X
15	7500010-17	4	Hex Bolt, 3/8-16x3" Gr 8	X	X
16	75085188 <sup>ABC</sup>	11	Lock Nut, 3/8-16, Centerlock	X	X
17	44320367	2	Nylon Roller, 1-1/4" Lg	X	X
18	43630277	2	Nylon Roller, 7/8" Lg	X	X
19	75089594	2	Antiluce, 1/2" Bolt on	X	X
20	43617029	2	Flip Ramp Latch	X	X
21	75089303	12	Grease Zerk, 3/16"	X	X
22	75089597	4	Plastic Plug	X	X
23	42669299	1	Roll Stop,UHMMW	X	X
24	7500009-2	1	Socket Head Cap Screw	X	X
25	43012382	2	Chain Cover, 30" Deep	X	X
26	75085992	6	Screw Flat Head Socket, 3/8-16x1/4"	X	X
27	42669335	1	Ramp Hinge Assy, C/S	X	X
28	42669336	1	Ramp Hinge Assy, D/S	X	X

29	75089294	1	Handle Grip, Rubber	X	X
30	43016790 <sup>A</sup>	1	Hinge Pin Assy, Street Side, 1/2" TB	X	X
	43016690 <sup>B</sup>		Hinge Pin Assy, Curb Side, 1/2" TB	X	X
31	43016691 <sup>C</sup>	1	Hinge Pin Assy, Curb Side, 9/16" TB		X
	43016691 <sup>C</sup>		Hinge Pin Assy, Curb Side, 9/16" TB		X
32	43020205 <sup>ABC</sup>	2	Hinge Pin Collar	X	X
33	43020241 <sup>A</sup>	1	Torsion Bar, 1/2" x 81"	X	X
34	7500047-6 <sup>ABC</sup>	2	Set Screw, 1/4-20x3/8" Self Lock	X	X
35	43120213	2	Support Chain Assy, 30" Deep	X	X
36	75080125	2	U-Bolt	X	X
37	75085178	4	Side Chain U-Bolt Nut	X	X
38	75089306 <sup>ABC</sup>	2	Grease Zerk, 1/4-28	X	X
39	75086218	2	Hex Bolt, 3/8-16 x 1-1/4" Gr 8	X	X
40	7500010-6 <sup>ABC</sup>	2	Hex Bolt, 3/8-16 x 1" Gr 8	X	X
41	75089555 <sup>ABC</sup>	2	Slotted Pin, 3/8 x 1"	X	X
42	75085168	4	Hog Ring	X	X
43	43020241 <sup>B</sup>	1	Torsion Bar, 1/2" x 81"	X	
	43020245 <sup>C</sup>		Torsion Bar, 9/16" x 81"		X
44	43017148 <sup>B</sup>	1	Torsion Bar Anchor, 1/2" TB	X	
	43017150 <sup>C</sup>		Torsion Bar Anchor, 9/16" TB		X
45	43017149 <sup>A</sup>	1	Torsion Bar Anchor, 1/2" TB	X	X
46	7500009-8 <sup>AB</sup>	2	Socket Head Cap Screw 1/4"	X	X

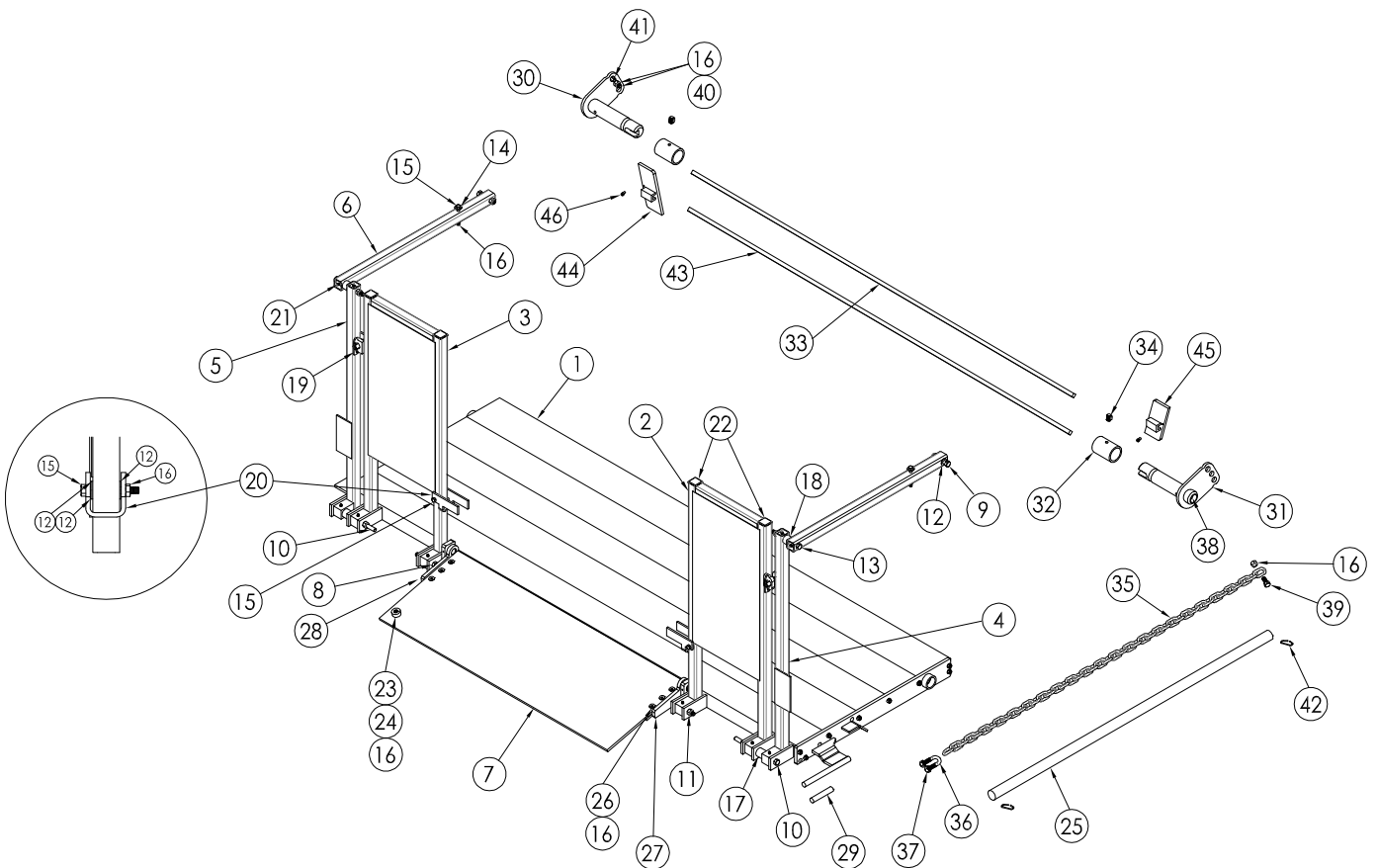
Torsion Bar Kits:

<sup>A</sup> Included in kit 80004716 (1/2" x 81" Driver Side)

<sup>B</sup> Included in kit 80004718 (1/2" x 81" Curbside)

<sup>C</sup> Included in kit 80004719 (9/16" x 81" Curbside)

Note: Each kit contains components to replace one torsion bar



**ALUMINUM MDLBG PLATFORM:  
MANUAL CLOSE**

**WALTCO** LIFT CORP.  
MDL

REVISED: 8-1-15  
E.O. 6868  
REV 01

**PM-917**



ITEM	PART No.	QTY	DESCRIPTION	30x89	36x89
1	43618010	1	Deck MDLBG-AP-16/20, 30x89 PC	X	
	43618011		Deck MDLBG-AP16/20, 36x89 PC		X
2	43618016	1	Rail Assy, AP, C/S	X	X
3	43618017	1	Rail Assy, AP, D/S	X	X
4	43618018	1	Rail Assy Upright, AP, C/S	X	X
5	43618019	1	Rail Assy Upright, AP, D/S	X	X
6	43618025	2	Rail Side Tube Assy, AP, 30"	X	
	43618026		Rail Side Tube Assy, AP, 36"		X
7	43669334	1	Flip Ramp Assy, 45x16	X	X
8	7500010-27	2	Hex Bolt, 1/2-13x3-1/2" Gr 2	X	X
9	7500016-2	2	Hex Bolt, 1/2-13x2-1/2" Gr 8	X	X
10	7500010-24	2	Hex Bolt, 1/2-13x8" Gr 5	X	X
11	75085162	8	Lock Nut, Nylon 1/2-13	X	X
12	75088056	16	Washer, 1/2" Flat	X	X
13	7500010-28	2	Hex Bolt, 1/2-13x5" Gr 2	X	X
14	75088053	4	Washer, 3/8" Flat	X	X
15	7500010-17	4	Hex Bolt, 3/8-16x3" Gr 8	X	X
16	75085188 <sup>AB</sup>	11	Lock Nut, 3/8-16, Centerlock	X	X
17	44320367	2	Nylon Roller, 1-1/4" Lg	X	X
18	43630277	2	Nylon Roller, 7/8" Lg	X	X
19	75089594	2	Antiluce, 1/2" Bolt on	X	X
20	43617029	2	Flip Ramp Latch	X	X
21	75089303	12	Grease Zerk, 3/16"	X	X
22	75089597	4	Plastic Plug	X	X
23	42669299	1	Roll Stop,UHMMW	X	X
24	7500009-2	1	Socket Head Cap Screw	X	X
25	43012382	2	Chain Cover, 30" Deep	X	X
26	75085992	6	Screw Flat Head Socket, 3/8-16x1/4"	X	X
27	42669335	1	Ramp Hinge Assy, C/S	X	X

28	42669336	1	Ramp Hinge Assy, D/S	X	X
29					
30	43016664 <sup>A</sup>	1	Hinge Pin Assy, Driver Side, 9/16" TB	X	X
	43016690 <sup>B</sup>		Hinge Pin Assy, Driver Side, 1/2" TB		
31	43016663	1	Hinge Pin Assy, Blank, Grooved, CS	X	X
32	43020205 <sup>AB</sup>	2	Hinge Pin Collar	X	X
33	43020245 <sup>A</sup>	1	Torsion Bar, 9/16" x 81"	X	X
	43020270 <sup>B</sup>		Torsion Bar, 1/2" x 70"		
34	7500047-6 <sup>AB</sup>	2	Set Screw, 1/4-20x3/8" Self Lock	X	X
35	43120213	2	Support Chain Assy, 30" Deep	X	X
36	75080125	2	U-Bolt	X	X
37	75085178	4	Side Chain U-Bolt Nut	X	X
38	75089306 <sup>AB</sup>	2	Grease Zerk, 1/4-28	X	X
39	75086218	2	Hex Bolt, 3/8-16 x 1-1/4" Gr 8	X	X
40	7500010-6 <sup>AB</sup>	2	Hex Bolt, 3/8-16 x 1" Gr 8	X	X
41	75089555 <sup>AB</sup>	2	Slotted Pin, 3/8 x 1"	X	X
42	75085168	4	Hog Ring	X	X
43	43017151 <sup>A</sup>	1	Torsion Bar Anchor, 9/16" TB	X	X
	43020595 <sup>B</sup>		Torsion Bar Anchor, 1/2" TB		
44	7500009-8 <sup>AB</sup>	1	Socket Head Cap Screw 1/4"	X	X
45	75001010	1	Snap Ring	X	X

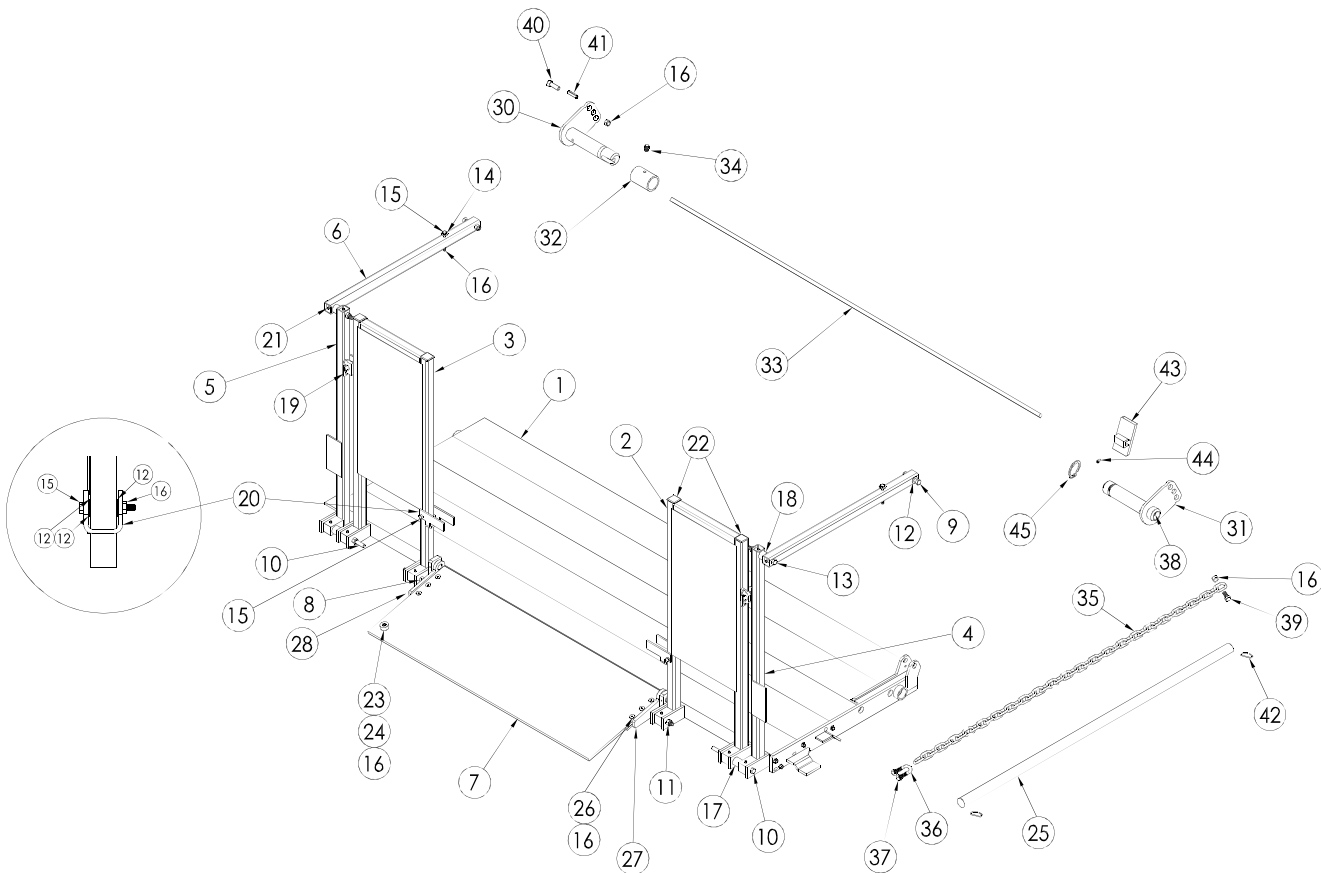
**Torsion Bar Kit:**

<sup>A</sup> Included in kit 80004720 (9/16" x 81" Driver Side)

<sup>B</sup> Included in kit 80004727 (1/2" x 70" Driver Side)

Note: Measure torsion bar to determine kit, either kit can be used.

Note: Each kit contains components to replace one torsion bar



**ALUMINUM MDLBG PLATFORM:  
POWER CLOSE**

**WALTCO** LIFT CORP.  
MDL

REVISED: 8-1-15  
E.O. 6868  
REV 01

**PM-918**

ITEM	PART NUMBER	QTY	DESCRIPTION
	43012283	1	H Frame, MDL-12 94" OAW
	43016851		H Frame, MDL-12 100" OAW
	43220786	1	H Frame, MDL-16, 20 94" OAW
	43216854		H Frame, MDL-16, 20 100" OAW
	43320368	1	H Frame, MDL-30 94" OAW
	43316856		H Frame, MDL-30 100" OAW
1	43012050	1	Rail, Curb Side, MDL-12
	43120054	1	Rail, Curb Side, MDL-16, 20, 30
2	43012051	1	Rail, Street Side, MDL-12
	43120055	1	Rail, Street Side, MDL-16, 20, 30
3	43020046	1	Travel Plate, Curb Side
4	43020051	1	Travel Plate, Street Side
5	43020048	1	Travel Plate Latch
6	75086218	1	Hex Bolt, 3/8"-16 x 1-1/4", Grade 8
7	75086056	1	Hex Screw, 3/8-16 x 1", Grade 5
8	75089505	1	Aircraft Pin
	75089511*	1	6" Lanyard W/Plated Tab
	75089415*	1	Rivet, Alum, .187 x 437 Pull
9	75085188	2	Lock Nut, 3/8"-16, Centerlock
10	75089760	1	Spring
11	75089518	2	Clevis Pin (welded on c/s travel plate and travel latch)
12	43020029	1	Access Door 94" OAW (no lights)
	43020062		Access Door 100" OAW (no lights)
13	75086062	5	Hex Bolt, 1/4-20 x 3/4
14	75085164	5	Tinnerman Nut, 1/4"
15	75089564	2	Rail Cap

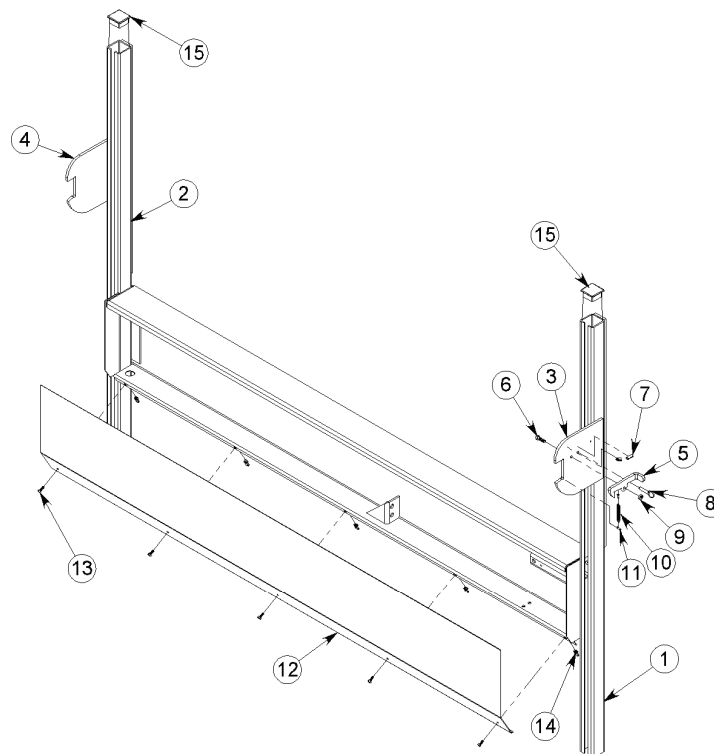
\* ITEM NOT SHOWN IN DRAWING.

**WALTCO** LIFT CORP.  
MDL SERIES

REVISED: 9-3-13  
E.O. 7223  
REV. 04

**PM-821**

### H-FRAME ASSEMBLY – STANDARD



**WALTCO** LIFT CORP.  
MDL SERIES

REVISED: 9-3-13  
E.O. 7223  
REV. 04

**PM-821**

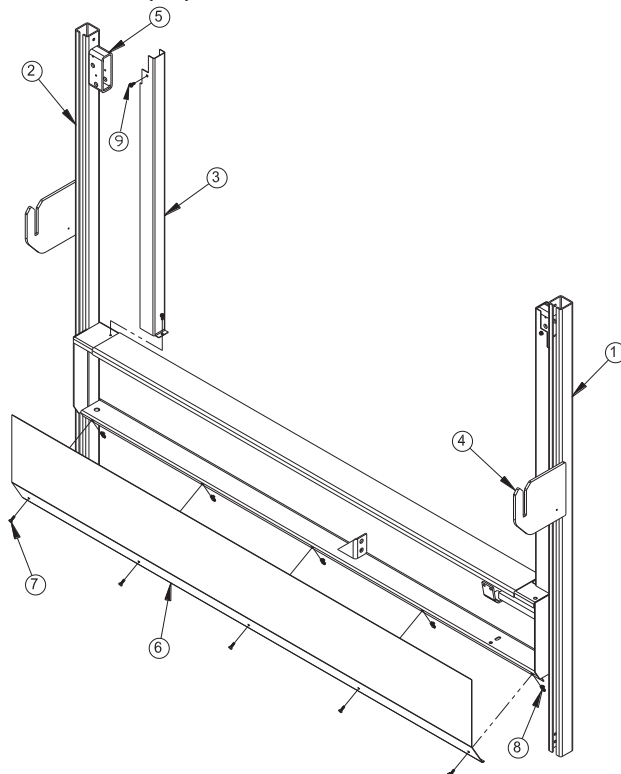
ITEM	PART NUMBER	QTY	DESCRIPTION
	43016359	1	H Frame, MDL-12 94" OAW
	43016858		H Frame, MDL-12 100" OAW
	43220787	1	H Frame, MDL-16, 20 94" OAW
	43216845		H Frame, MDL-16, 20 100" OAW
	43320369	1	H Frame, MDL-30 94" OAW
	43316860		H Frame, MDL-30 100" OAW
1	43020082	1	Rail, Curb Side
2	43020083	1	Rail, Street Side
3	43016085	2	Chain Cover
4	43016152	2	Travel Plate
5	43020080	2	Sprocket box
6	43020029	1	Access Door, 89"
	43020062		Access Door, 95"
7	75086062	5	Hex Bolt, 1/4-20 x 3/4
8	75085164	5	Tinnerman Clip, 1/4"
9	75086874	4	1/4-20 x 5/8 Type F, Self Tapping

**WALTCO** LIFT CORP.  
MDL SERIES

REVISED: 8-23-12  
E.O. 6934  
REV. 02

**PM-822**

**H-FRAME ASSEMBLY – ABOVE FLOOR (AF)**



**WALTCO** LIFT CORP.  
MDL SERIES

REVISED: 8-23-12  
E.O. 6934  
REV. 02

**PM-822**

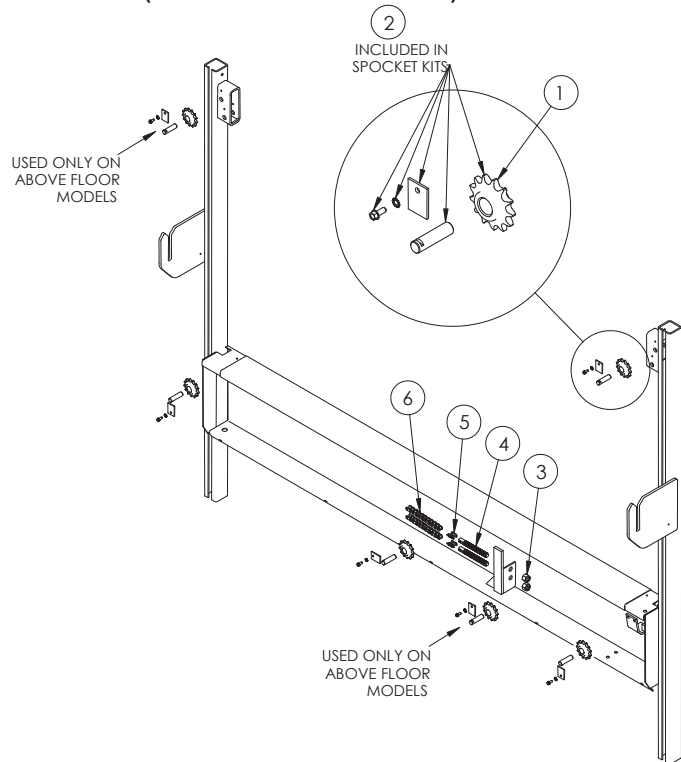
ITEM	PART NUMBER	QTY STD	QTY AF	DESCRIPTION
1	43020013	3	6	Sprocket, 13T, #50 Chain, MDL-12, 16, 20
	43330007			Sprocket, 11T, #60 Chain, MDL-30
2	80002232	3	6	Kit, 13T Sprocket, #50 Chain, MDL-12, 16, 20
	80002231			Kit, 11T Sprocket, #60 Chain, MDL-30
3	75085184	2	2	Locknut, 5/8-18
4	43020014	2	2	Chain Anchor Bolt, 5/8"-18, #50 Chain, MDL-12, 16, 20
	43330003			Chain Anchor Bolt, 5/8"-18, #60 Chain, MDL-30
5	80000419	2	2	Roller Chain Master Link, #50 Chain, MDL-12, 16, 20
	80000609	2	2	Roller Chain Master Link, #60 Chain, MDL-30
6	43026019	1	1	C/S Roller Chain, #50, 88-1/8" lg. MDL-12, 94" - 100" OAW
	43026022			D/S Roller Chain, #50, 125-5/8" lg. MDL-12, 94" OAW
	43026021			D/S Roller Chain, #50, 131-7/8" lg. MDL-12, 100" OAW,
	43126019			C/S Roller Chain, #50, 103-1/8" lg. MDL-16, 20, 94" - 100" OAW
	43126023			D/S Roller Chain, # 50, 130-5/8" lg. MDL-16, 20, 94 OAW
	43126022			D/S Roller Chain, #60, 136-7/8" lg. MDL-30, 94" OAW
	43316019			C/S Roller Chain, #60, 111-3/4" lg. MDL-30, 94-100" OAW
	43316022			D/S Roller Chain, #60, 129-3/4" lg. MDL-30, 94" OAW
	43316025			D/S Roller Chain, #60, 135-3/4" lg. MDL-30, 100" OAW
	43026023			C/S Roller Chain, #50, 186-7/8" lg. MDL-12, 16, 20 AF, 94-100" OAW
	43026024	D/S Roller Chain, #50, 214-3/8" lg. MDL-12, 16, 20 AF, 94" OAW		
	43126024	D/S Roller Chain, #50, 220-5/8" lg. MDL-12, 16, 20 AF, 100" OAW		
	43316023	C/S Roller Chain, #60, 195-3/4" lg. MDL-30, AF, 94-100" OAW		
	43316024	D/S Roller Chain, #60, 213-3/4" lg. MDL-30, AF 94" OAW		
	43316026	D/S Roller Chain, #60, 219-3/4" lg. MDL-30, AF 100" OAW		
	43626019	C/S Roller Chain, #50, 105-5/8" lg. MDL-16/20		
	43626023	D/S Roller Chain, #50, 133-1/8" lg. MDL-16/20		
	43626022	Roller Chain, #50, 139-3/8"		
	43626025	C/S Roller Chain, #50, 189-3/8" lg. MDL-16/20AF		
	43626024	D/S Roller Chain, #50, 216-7/8" lg. MDL-16/20AF 94" OAW		
43626021	D/S Roller Chain, #50, 223-1/8" lg. MDL-16/20AF 100" OAW			

**WALTCO** LIFT CORP.  
MDL SERIES

REVISED: 12-1-14  
E.O. 7585  
REV. 05

**PM-823**

**INTERNAL H-FRAME COMPONENTS (INCLUDES ABOVE FLOOR)**



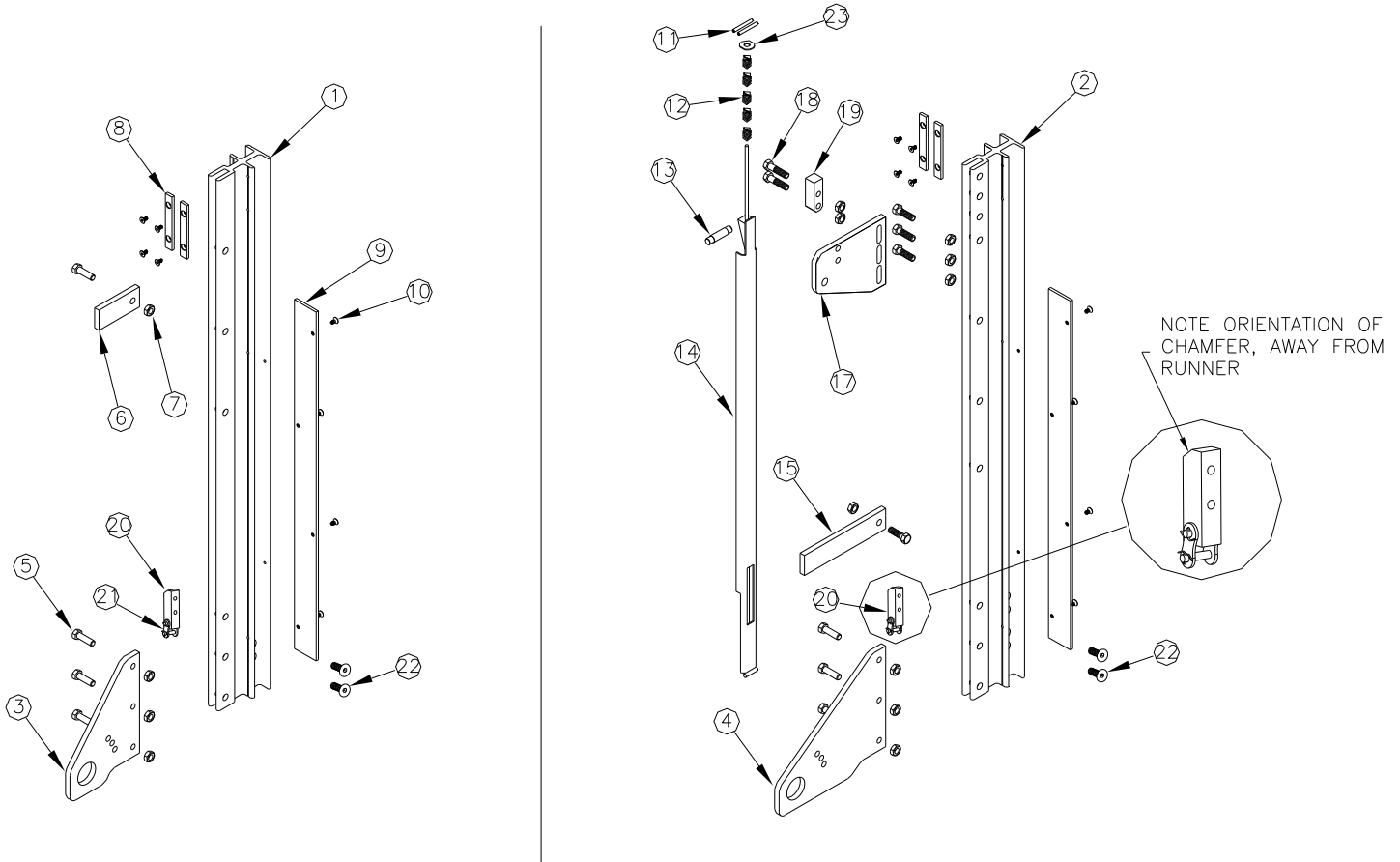
**WALTCO** LIFT CORP.  
MDL SERIES

REVISED: 12-1-14  
E.O. 7585  
REV. 05

**PM-823**

ITEM	PART NUMBER	QTY	DESCRIPTION
	43016693	1	Runner Assy, MDL-12, D/S-STD, C/S-AF
	43016694	1	Runner Assy, MDL-12, C/S-STD, D/S-AF
	43116606	1	Runner Assy, MDL-16, 20, 30, D/S-STD, CS-AF
	43116607	1	Runner Assy, MDL-16, 20, 30, C/S-STD, DS-AF
	43617007	1	Runner Assy, MDLBG, D/S, LSD
	43617008	1	Runner Assy, MDLBG, C/S, LSD
1	43016695	1	Alum Ext Runner, Forked, 4x30.5 C/S
	43116599	1	Alum Ext Runner, Forked, 4x39.5 C/S
2	43617010	1	Runner Ext, MDLBG, LSD, C/S
	43617009	1	Runner Ext, MDLBG, LSD, D/S
3	43016603	1	Runner Ear, Forked, Painted, STD
4	43216667	1	Runner Foot, Forked, PC DS
5	75086218	4	Hex Bolt, 3/8-16x1-1/4" LG GR 8 Plated
		*7	
6	43016605	1	Stop, Platform, Forked Runner STD
7	75085188	4	Lock Nut, 3/8-16 Centerlock
		*9	
8	43116601	2	Wear Pad Front Forked Runner
	43016701	2	Wear Pad Front Forked, 6"

9	43016602	1	Wear Pad Back Forked Runner
10	75086709	8	Screw, 10-32x3/8 FHSCS
11	75089515	2	Slotted Spring Pin
12	75089762	5	Spring, Compression, LSD Assy
13	43677726	1	Pin, Knurled LSD
14	43640570	1	LSD Assy, Welded, ASA 50
15	43616605	1	Platform Stop, MDLBG
16			
17	43617011	1	Runner Bracket, MDLBG
18	75086219	2	Hex Bolt, 3/8-16x1-1/2" GR 8 Plated
	43617016	1	Support Block, MDLBG Flip Ramp
19			
20	43020006	1	Chain Anchor Block, MDL-12, 16, 20
	43330002		Chain Anchor Block, MDL-30
	43676879		Chain Anchor Block, MDLBG
21	80000419	1	Roller Chain Master Link, #50 Chain, MDL-12, 16, 20
	80000609		Roller Chain Master Link, #60 Chain, MDL-30
22	75085994	2	Screw, 5/16-18x1 FHSCS Black Oxide
23	75088051	1	Washer, 1/4"



**MDL/MDLBG RUNNER ASSY**

**WALTCO** LIFT CORP.  
MDL

REVISED: 9-1-15  
E.O. 6868A  
REV 06

**PM-824**

ITEM	PART NUMBER	QTY	DESCRIPTION
1	70430685 <sup>C</sup>	1	Hydraulic Pump Unit, 10" Reservoir Non-Thermal Switch <b>After 6-2013</b>
	70430680 <sup>C</sup>		Hydraulic Pump Unit, 10" Reservoir w/Thermal Switch <b>Prior to 6-2013</b>
	70430695 <sup>D</sup>		Hydraulic Pump Unit, 14" reservoir Non-Thermal Switch <b>After 6-2013</b>
	70430690 <sup>D</sup>		Hydraulic Pump Unit, 14" Reservoir w/Thermal Switch <b>Prior to 6-2013</b>
1	7043001-1 <sup>A</sup>	1	Motor, 12V w/ Thermal Protection
2	70400828 <sup>A</sup>	1	Reservoir, 10"
	43016835 <sup>A</sup>	1	Reservoir, 14"
3	70092355 <sup>A</sup>	1	Relief Valve
4	80001065 <sup>A</sup>	1	Motor Solenoid
5	70092503 <sup>A</sup>	1	Valve, 2 way, 2 pos w/ Coil
6	75083364 <sup>A</sup>	1	Elbow, 90°, ¼ JICM x #6 SAE
7	70400004 <sup>A</sup>	1	Breather
8	10195908 <sup>A</sup>	1	Solenoid Cable
9	80001430	1	Switch Service Kit <b>NON-POWER CLOSE</b>
10	7500026-6	1	Elbow, 90° Barb, 3/8" NPT
11	70400002	1	Reservoir Clamp
12			
13	10195536BK	1	Ground Cable
14	43220894	1	Hose Assy, ¼" x 18" lg. ¼ JIC Female
15	75089243	1	150 Amp Circuit Breaker
16	75089329	1	Grommet ½"
17	75080051	1	Strain Relief, ¾"
18	75089807	1	Switch (Toggle) Cab Shut Off (Optional)
19	10099313	1	Inline Fuse Assembly, W/15A Fuse
20	75089854	1	15A Fuse
21	10099500	1	Terminal Link
22	75086218	2	Hex Bolt, 3/8-16x1¼" long GR8

ITEM	PART NUMBER	QTY	DESCRIPTION
23	10195625RD	1	Battery Cable, 2 Ga. x 25ft.
	10195630RD		Battery Cable, 2 Ga. x 30ft.
	10195635RD		Battery Cable, 2 Ga. x 35ft.
24	75082023 <sup>B</sup>	1	Adapter

<sup>A</sup> Included with Pump Units

<sup>B</sup> Only used w/Non-Thermal Switch Pump Units.

<sup>C</sup> For MDL-12, Non-Above Floor Travel Units.

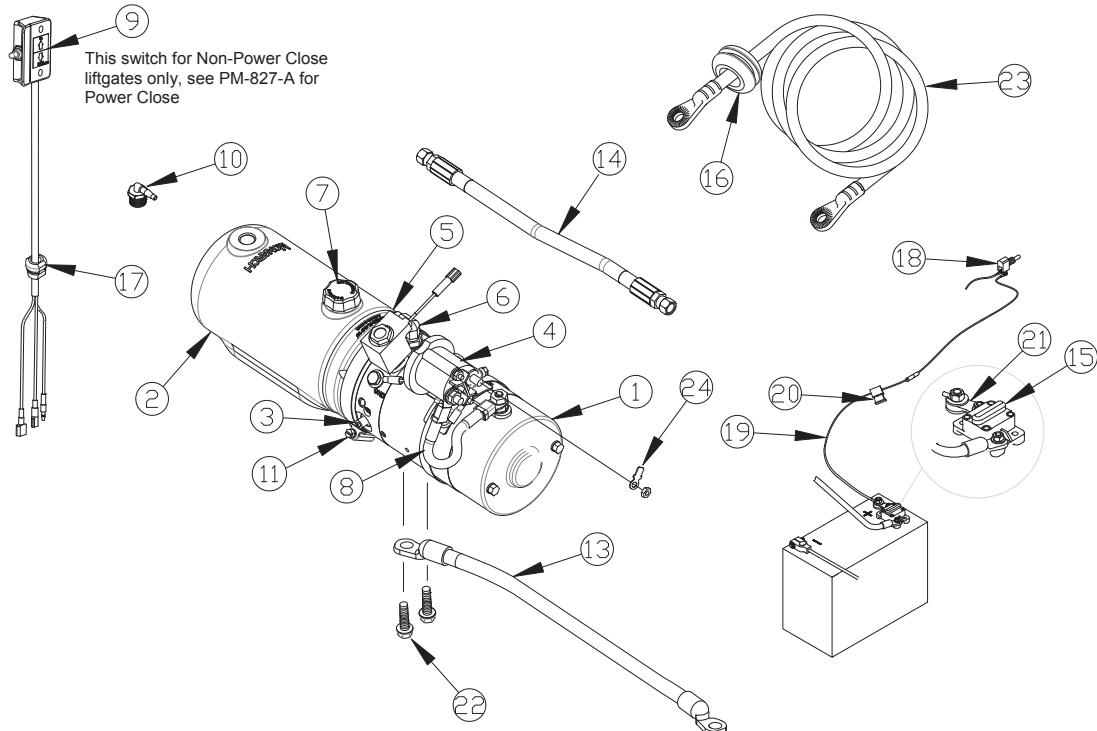
<sup>D</sup> For MDL-12 Above Floor Travel, MDL-16, MDL-20 and MDL-30

**WALTCO** LIFT CORP.  
MDL SERIES

REVISED: 12-1-14  
E.O. 7585  
REV. 05

**PM-825A**

### HYDRAULIC & ELECTRICAL COMPONENTS



**WALTCO** LIFT CORP.  
MDL SERIES

REVISED: 12-1-14  
E.O. 7585  
REV. 05

**PM-825A**

ITEM	PART NUMBER	QTY	DESCRIPTION
1	43016093	2	Light Harness, 4 Lights
	43016073	2	Light Harness, 6 Lights
2	75089396	4/6	Light Grommet
3	75089393	2	Tail Light, Red, Round
	75089433		LED, Tail Light Red, Round
4	75089392	2	Light, Yellow (Only on 6 Light Kits)
			LED, Light, Yellow Round
5	75089394	2	Back Up Light, White Round
	75098440		LED, Back Up Light, White Round
6	75089329	1	Grommet, 1/2"
7	43012073	1	Access Door, 4 Lights, 89"
	43016075		Access Door, 4 Lights, 94"
8	43012075	1	Access Door, 6 Lights, 89"
	43016076		Access Door, 6 Lights, 94"
9	75086006	2	Hex Bolt, 1/4-20x1.0
10	75099244	2	Nut, Well, 1/4-20x3/4
11	75089386	1	Light, License Plate
12	43020569	1	48" Wire, 16 AWG, .25 Female

**MDL LIGHT KITS**

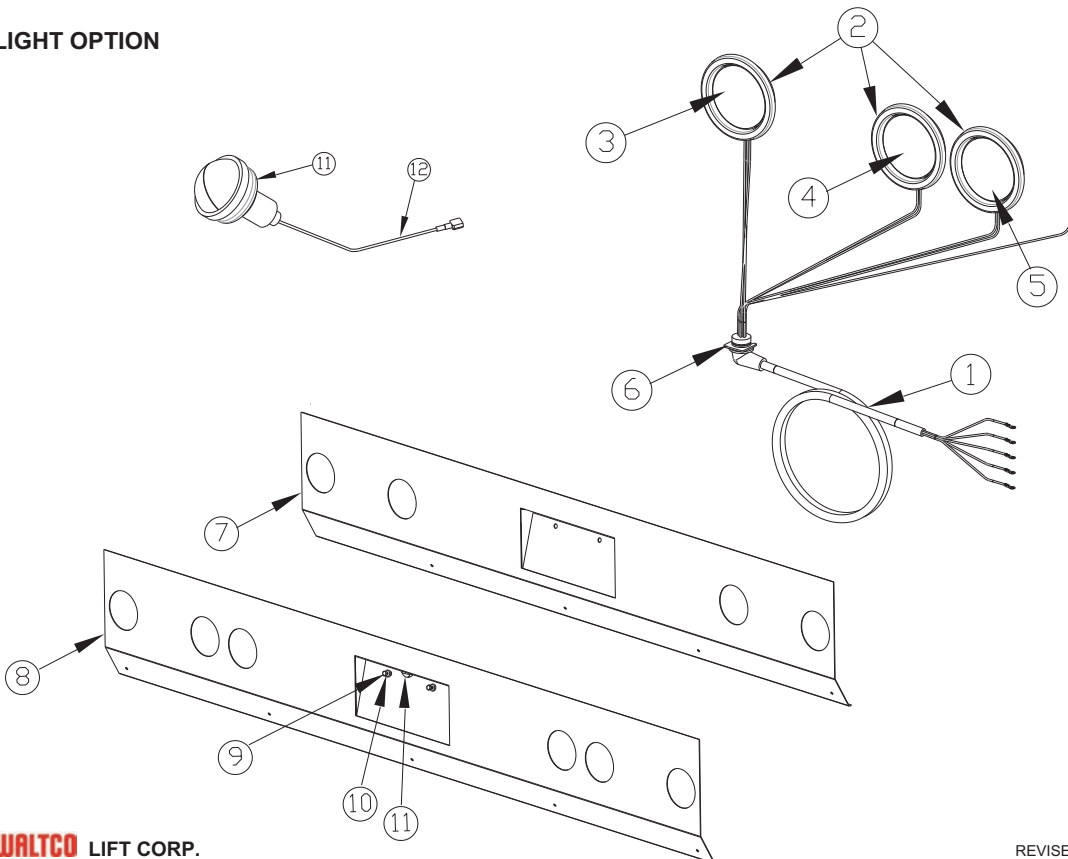
PART NUMBER	DESCRIPTION
80001249	KIT, MDL, No Light, 94" OAW
80001250	KIT, MDL, 4 Light, 94" OAW
80001251	KIT, MDL, 6 Light, 94" OAW
80001252	KIT, MDL, No Light, 100" OAW
80001253	KIT, MDL, 4 Light, 100" OAW
80001254	KIT, MDL, 6 Light, 100" OAW
80001255	KIT, MDL, 4 Light, LED, 94" OAW
80001256	KIT, MDL, 6 Light, LED, 94" OAW
80001257	KIT, MDL, 4 Light, LED, 100" OAW
80001258	KIT, MDL, 6 Light, LED, 100" OAW

**WALTCO** LIFT CORP.  
MDL SERIES

REVISED: 8-23-12  
E.O. 6934  
REV. 02

**PM-826**

**LIGHT OPTION**



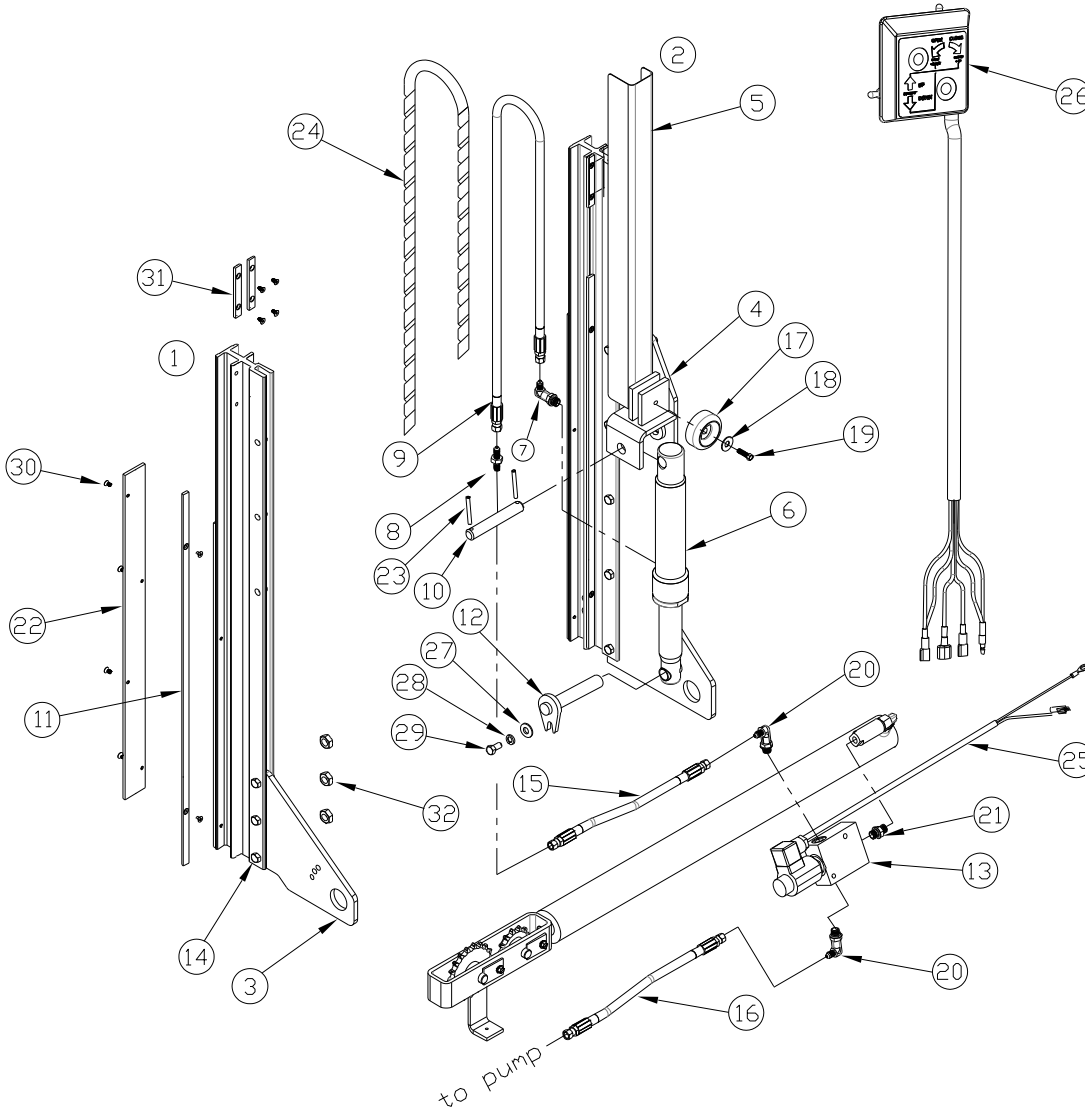
**WALTCO** LIFT CORP.  
MDL SERIES

REVISED: 8-23-12  
E.O. 6934  
REV. 02

**PM-826**

ITEM	PART NUMBER	QTY	DESCRIPTION
1	43216681	1	Slider Assy, PC, DS
	43635500		Slider Assy, MDLBG, LSD, DS, PC
2	43216682	1	Slider Assy, PC, CS
	43617035		Slider Assy, MDLBG, LSD, CS, PC
3	43216667	1	Slider Foot, PC, DS
4	43216651	1	Slider Foot, PC, CS
5	43220882	1	Hose Guard, PC
6	43216800	1	Cylinder, PC
7	75083371	1	Elbow, 90°, 1/4 JICM x #6 SAE w/ .031" Orifice
8	75083400	1	Bulkhead, Straight, 7/16-20 W/Nut, JIC 4WTX
9	43220893	1	Hose Assy, PC
10	43220880	1	Pin, Upper PC
11	43216642	2	Slider Spacer
12	20210704	1	Pin, Lower PC
13	43220895	1	Selector Valve
14	75086218	3 CS 8 DS	Hex Bolt, 3/8"-16 x 1-1/4" Grade 8
15	43220894	1	Hose Assy, 1/4" x 18" lg, 1/4 JIC Female
16	43220894	1	Hose Assy, 1/4" x 18" lg, 1/4 JIC Female

17	34036750	1	Rubber Bumper
18	75088053	1	Washer, 3/8" ID x 1" OD x .078" Thk.
19	75086843	1	Screw, Self Taping, 5/16" x 1-1/2" Type F
20	75083362	2	Elbow, 90°, 1/4 JICM x #4 SAE
21	75083363	1	Adapter, 1/4" SAE x 1/4" NPTM
22	43016602	1	Wear Pad Back Forked Runner
23	75089541	2	Slotted Spring Pin
24	75084074	3.5	Loom, Spiral, 1" OD, (per FT)
25	43090301	1	Din Connector Assy
26	43090201 43090202	1	Switch Assy, PC 6-1/2 ft Switch Assy, PC 13-1/2 ft
27	75088053	1	Washer, 3/8" Flat
28	75088081	1	Lock Washer, 3/8"
29	75086055	1	Hex Bolt, 3/8-16x3/4" Gr 5
30	75086709	10	Screw, 10-32x3/8 FHSCS
31	43116601	2	Wear Pad Front Forked, 4"
	43016701		Wear Pad Front Forked, 6"
32	75085188	3 CS	Lock Nut, 3/8-16, Centerlock
		8 DS	



**POWER CLOSE OPTION**

**WALTCO** LIFT CORP.  
MDL

REVISED: 9-1-15  
E.O. 6868A  
REV 05

**PM-827A**



ITEM	PART NUMBER	QTY	DESCRIPTION
1	43010123	1	Cylinder Assy Complete, MDL-12
	45885000		Cylinder Assy Complete, MDL-12AF, MDL-16, 20
	45980000		Cylinder Assy Complete, MDL-30
A	43012133	1	Cylinder Assy, MDL-12
	43016132		Cylinder Assy, MDL-12AF, MDL-16, 20
	43340111		Cylinder Assy, MDL-30
B	43020013	1	Sprocket, 13T, #50 Chain
	80002232		Kit, 13T Sprocket with Pin & Hardware
	43330107		Sprocket, 16T, #60 Chain
C	80002233	1	Kit, 16T Sprocket with Pin & Hardware
	43020108		Sprocket, 19T, #50 Chain
	80002235		Kit 19T Sprocket with Pin & Hardware
D	43330106	1	Sprocket, 22T, #60 Chain
	80002234		Kit 22T Sprocket with Pin & Hardware
D	75088064	1	Washer, 5/8" ID x 1-5/16" OD x .095" (Not Used on MDL-30)
E	43016859	1	Bearing, Shoe Assy
F	75086854	1	1/4 - 20x5/8" Type F Plated Round Head Phillips Screw
2	80002243	1	Cylinder Pin Kit
3	75083039	1	Adapter, 1/4" NPT Male x #4 JIC Male
4	75085188	1	Locknut, 3/8-16 MDL-12, 16, 20
5	75086218	1	Hex Bolt, 3/8-16x1-1/4" MDL-12, 16,20
6	43040082	1	Tube, Flexible PVC, 3/16" ID x 60" LG
7	7500026-5	1	Elbow, 90 deg Barb, 1/8" NPT
8	7010001-15	1	Pressure Comp Valve, 2.5 GPM, MDL-12, MDL-16, MDL-20
	7010001-16		Pressure Comp Valve, 4.0 GPM MDL-30
9	75083355	1	Elbow, #6 Male SAE x 1/4 NPTM

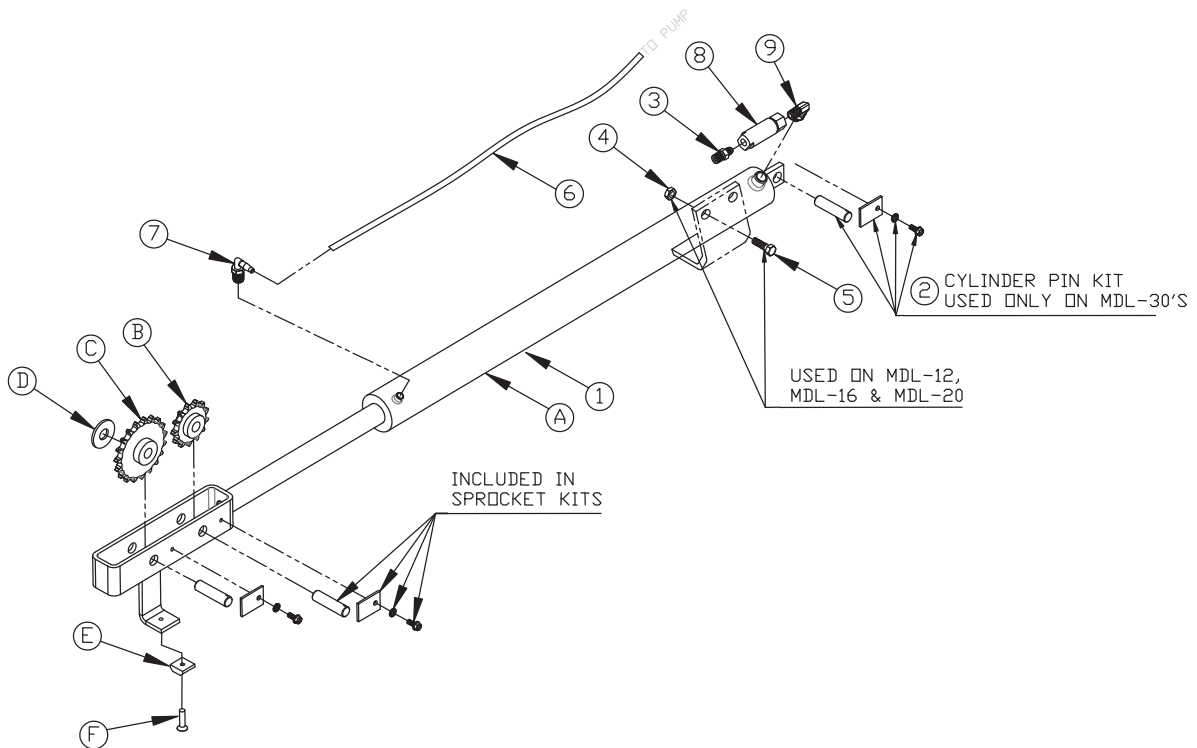
Complete Cylinders include items A thru F

**WALTCO** LIFT CORP.  
MDL SERIES

REVISED: 12-9-13  
E.O. 7282  
REV. 04

**PM-828**

**CYLINDER ASSEMBLY**



**WALTCO** LIFT CORP.  
MDL SERIES

REVISED: 12-9-13  
E.O. 7282  
REV. 04

**PM-828**

Blank Page



Every vehicle that has a WALTCO Liftgate must have legible **WARNING AND OPERATION DECALS** clearly posted on the vehicle and an **OWNER'S MANUAL** in the vehicle at all times as a guide for proper operation and maintenance.

Additional **WARNING DECALS**, **OPERATION DECALS** and **OWNER'S MANUALS** can be obtained from **WALTCO TRUCK EQUIPMENT COMPANY**.

---

**NOTE:**

**When ordering, give model  
and serial number of the liftgate.**

---

# ***IMPORTANT***

## **WARNING**

**Improper operation and maintenance of this liftgate could result in severe personal injury or death.**

**Read and understand the contents of this manual and all warning and operation decals before operating and/or performing maintenance on this liftgate.**

**For SAFETY information on this liftgate see Chapter 1 of this manual**