



waltco.com
parts@waltco.com

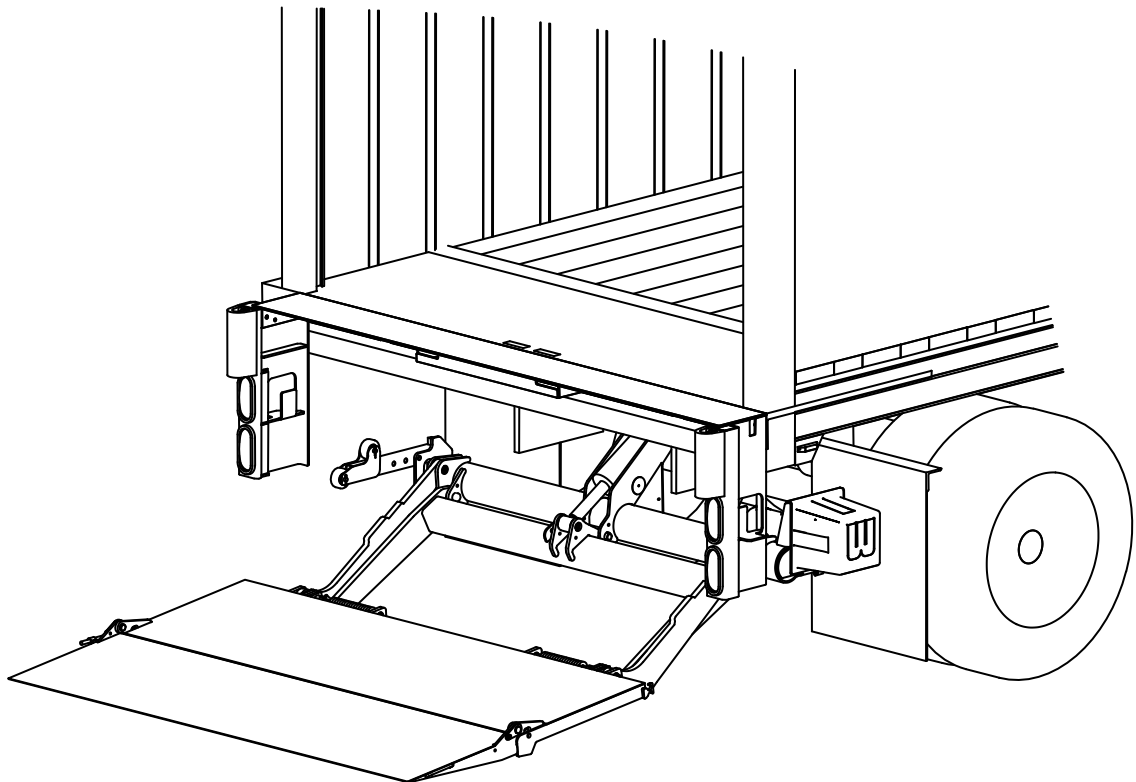
Phone: 800.411.5685

Fax: 800.411.5684

Parts Manual

EM and EMTC

2500 lb. and 3300 lb. Capacity Flipaway Liftgates



This manual identifies parts for Liftgates manufactured:

1/2010 to Current

Last Change

<i>Date</i>	<i>Page(s)</i>	<i>Description</i>
09-2018	17-25	Added PM-799A,PM-789B,PM-784B

Waltco Lift Corp.
Corporate Office United State
285 Northeast Ave.
Tallmadge, OH 44278
P: 330.633.9191
F: 330.633.1418

Waltco Lift Corp.
United States
620 S Hambledon Ave.
City of Industry, CA 91744
P: 626.964.0990
F: 626.964.0149

Waltco Lift Inc.
Canada
90 North Queen St.
Etobicoke, ON M8Z 2C5
P: 888.343.4550

Table of Contents



Improper operation and maintenance of this liftgate could result in severe personal injury or death.

Read and understand the contents of the owner's manual and all warning and operation decals before operating and/or performing maintenance on this liftgate.

INTRODUCTION	3
HOW TO ORDER PARTS	4
EM MODEL INFORMATION	5
EMTC MODEL INFORMATION.....	6
DECALS	7
EM MOUNT FRAME.....	9
EMTC MOUNT FRAME.....	10
STOP BLOCKS	11
STEEL PLATFORMS	12
ALUMINUM PLATFORMS	14
BED EXTENSIONS	16
EM HYDRAULIC LAYOUT, GRAVITY DOWN.....	18
EMTC HYDRAULIC LAYOUT, GRAVITY DOWN.....	20
EM HYDRAULIC LAYOUT, POWER DOWN.....	22
EMTC HYDRAULIC LAYOUT, POWER DOWN	23
ELECTRIC CONTROL OPTIONS, GRAVITY DOWN	24
ELECTRIC CONTROL OPTIONS, POWER DOWN	25

Introduction

Each Waltco liftgate is manufactured to stringent quality standards for years of reliable service. To ensure maximum performance of your Waltco liftgate, always specify and use “OEM Parts” from Waltco.

This manual does not provide procedures for the servicing and repair of Waltco liftgates. Service and repair should only be performed by an authorized Waltco distributor. For information on the nearest authorized Waltco distributor contact:

Waltco Lift Corp.

285 Northeast Avenue

Tallmadge, OH 44278

Phone: 800.411.5685

Fax: 800.411.5684

E-mail: parts@waltco.com



The use of non-standard or makeshift parts can be extremely hazardous and result in serious injury or death.



Every vehicle that has a WALTCO Liftgate must have legible WARNING AND OPERATION DECALS clearly posted on the vehicle and an OWNER'S MANUAL in the vehicle at all times as a guide for proper operation and maintenance.

How To Order Parts

Repairs should be made only by authorized mechanics using WALTCO Replacement parts.

When ordering repair or replacement parts, please include all the information asked for below. If this information is not available, a complete written description or sketch of the required part will help WALTCO identify and deliver the needed part to you.

THE FOLLOWING INFORMATION MUST BE INCLUDED:

1. SERIAL NUMBER - [WALTCO liftgate serial numbers can be found on the Specification Tag attached to the mount frame. (On older units the Specification Tag is located on the side or bottom of the platform.)]
2. MODEL NUMBER - [Or capacity]
3. PLATFORM SIZE

THEN INCLUDE THE FOLLOWING INFORMATION:

4. PART NUMBERS
5. DESCRIPTION
6. QUANTITY REQUIRED

MAIL, E-MAIL OR PHONE YOUR REQUEST TO:

Waltco Lift Corp
285 Northeast Avenue
Tallmadge, OH 44278
1-800-411-5685
FAX: 1-800-411-5684
E-MAIL: parts@waltco.com

ALL PARTS ARE F.O.B. FROM THE SHIPPING FACTORY

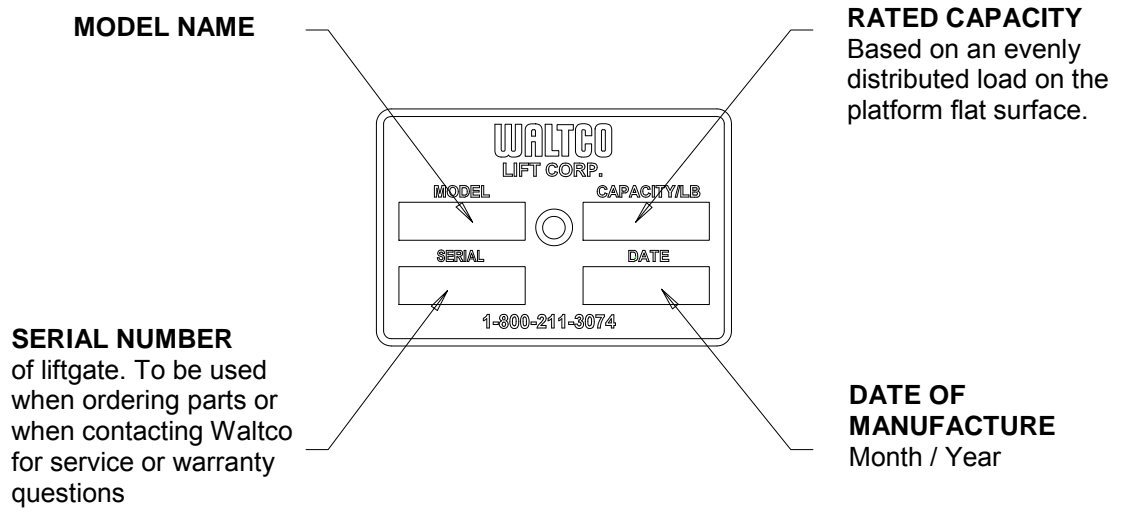
PLEASE NOTE:

To assure you of continuing and effective quality control, our warranty policy permits replacement of hydraulic cylinders, valves and motor pump units when their factory seals are intact. Parts under warranty will be exchanged promptly after careful inspection of the returned assemblies.

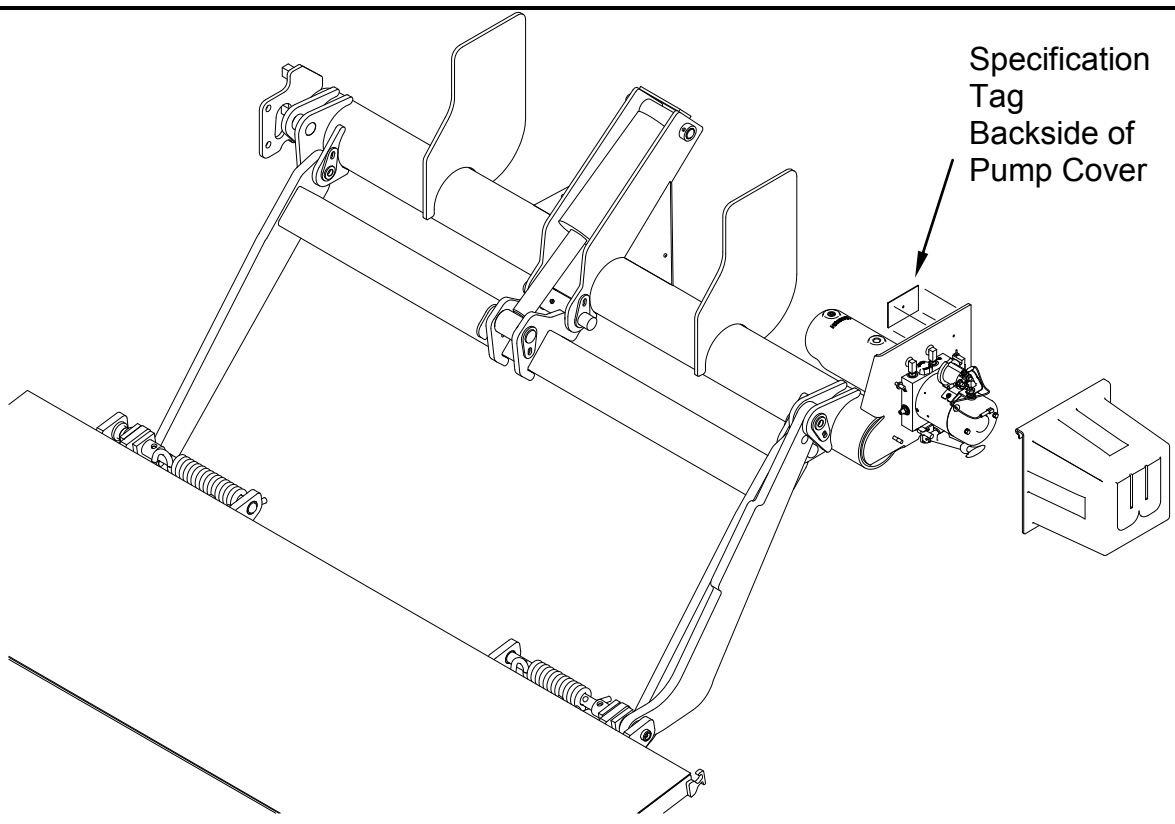
EM Model Information

Explanation of Specification Tag

Model Name	Description	Capacity
EM	Single Cylinder	2500 lb.
EM	Single Cylinder	3300 lb.



GR00241

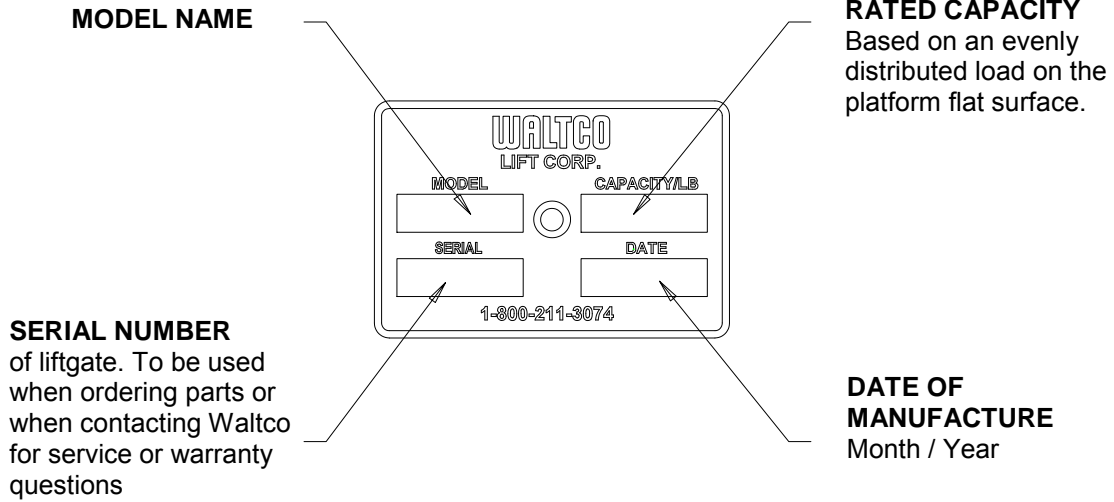


GR02773

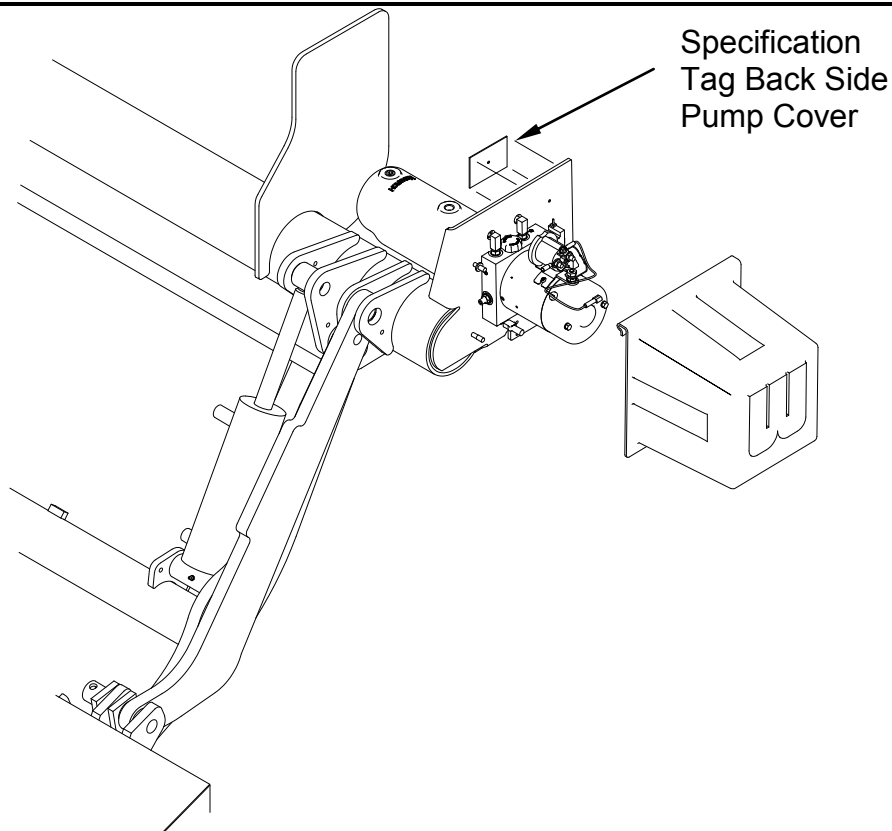
EMTC Model Information

Explanation of Specification Tag

Model Name	Description	Capacity
EMTC	Twin Cylinder	2500 lb.
EMTC	Twin Cylinder	3300 lb.



GR00241



GR02777

Decals

To order complete set of EM / EMTC liftgate decals, order kit:

80002134 = Capacity 2500 lbs.

80002135 = Capacity 3000 lbs.

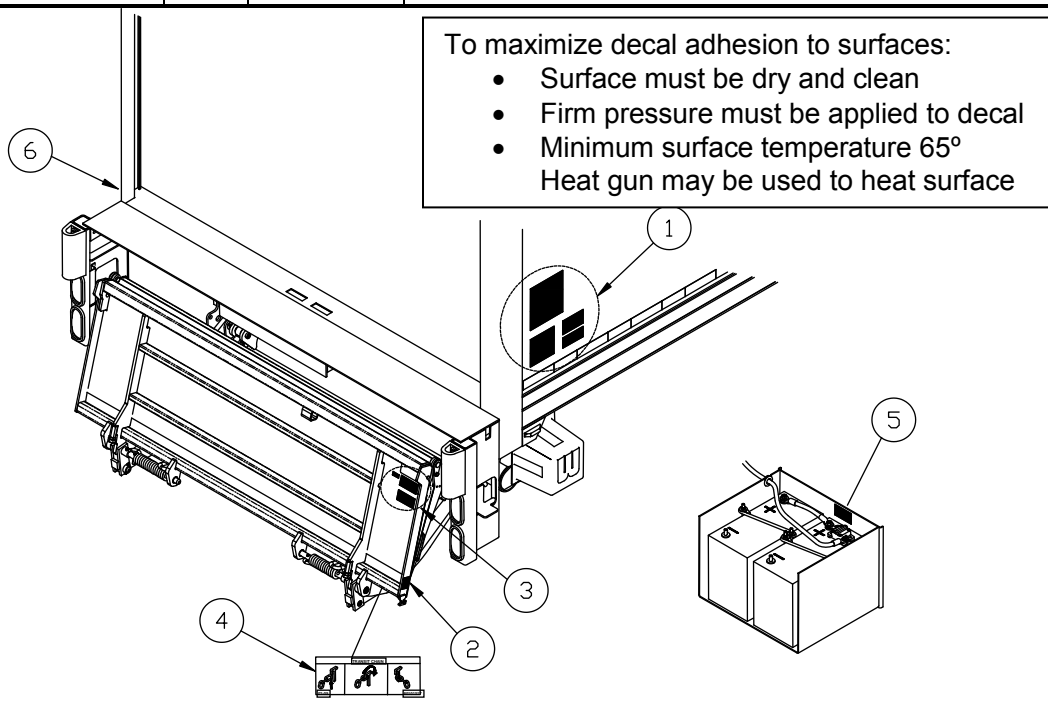
80002197 = Capacity 3300 lbs.

Chapter 5 Placement of Decals



All decals must be in place and legible or all warranties are void.

ITEM	DECAL	QTY	PART NO.	LOCATION
1	Safety Instructions	1	80100850	Locate in a conspicuous place near controls. If your liftgate is equipped with dual controls, an additional Safety Instruction decal (80100850) is to be placed in a conspicuous place near the second set of controls. Refer to the following diagram showing decal locations.
	Operation	1	80101528	
	Hazard Decal	1	80101370	
	Important Decal	1	80100828	
	Stand Clear Decal	1	75089296	
2	Capacity Decal – 2500 lb	1	80100255	Locate on curbside of platform (Position so as to be read when platform is open)
	Capacity Decal – 3300 lb	1	80100585	
3	Use Handle Decal	1	75089295	Locate near platform handle (Positioned so as to be read when platform is being unfolded into loading position)
	Stand Clear Decal	1	75089296	
	Capacity Decal – 2500 lb	1	80100255	
	Capacity Decal – 3300 lb	1	80100585	
4	Transit Chain Decal	1	80101517	Locate on back of deck on curbside (Visible when platform is stored)
5	Circuit Breaker Decal	1	80100829	Locate next to liftgate circuit breaker. In applications where more than one circuit breaker is used, this decal must be placed in both locations
6	Stand Clear Decal	1	75089296	Locate on driver's side of vehicle body near liftgate



GR02655

ITEM	PART NUMBER	QTY	DESCRIPTION
1	26420001	1	Mount Frame Weldment
	26420001GV		Mount Frame, Bolt-on (Galvanized)
2	26496501 ^F	1	Snubber Assembly
3	7500045-2	2	Grease Zerk, 1/4
4	75089307	1	Grease Zerk, 5/16
5			
6	75086257 ^D	1	Socket Head Cap Screw, 1/4-20x2.5
7	75085175 ^D	1	Locknut, 1/4-20
8	26480010	1	Hydraulic Cylinder
9	1000010-08 ^D	1	Pin, 1" Dia. x 7-1/2"
10	26470101	2	Mount Plate
	22220500		Mount Plate, Bolt-on
11	7500010-21	3	Hex Screw, 1/4-20x1", Gr 8
12	75088079	3	1/4" Lock Washer
13	75088051	3	5/16" Flat Washer
14	70401409	1 ^A	Grommet, 1/4" ID
15	70401408	1 ^B	Grommet, 7/16" ID
16	10090460	1	Gasket
17	75090310	1	Grommet, Multi Hole & Split
18	75089334	2	Grommet, 1/2" ID
19		1	Pump Unit (See Pump PM's)
20	10090450	1	Pump Cover
21	75086055 ^D	8	Hex Screw, 3/8-16x3/4" Grade 5
22	1000022-01 ^D	4	Pin, 1-1/4" Dia x 2-1/8"
23	10010189 ^C	8	Bearing, 1-1/4" ID x 1" Long
24	26455001	2	Parallel Arm w/Bearings
	26455001GV		Parallel Arm w/Bearings (Galvanized)
25	10010187 ^C	4	Bearing, 1" ID x 3/4" Long
26	DS Stop Block	1	See PM-798
27	CS Stop Block	1	See PM-798
28	1000022-02 ^D	2	Pin, 1-1/4" Dia x 3"
29	1000021-04 ^D	1	Pin, 1-1/4" Dia x 5-1/2"
30	1000021-07 ^D	1	Pin, 1-1/4" Dia x 3-7/8"
31	100101-90 ^C	2	Bearing, 1-1/4" ID x 1-1/4" Long

ITEM	PART NUMBER	QTY	DESCRIPTION
32	26430001	1	Lift Arm Assy w/Bearings
	26430001GV		Lift Arm Assy w/Bearings (Galvanized)
	26430002		Lift Arm Assy, Under-ride, w/Bearings
33	26492001	1	Parting Bar, Complete w/Rollers
	26492001GV		Parting Bar, Complete w/Rollers (Galvanized)
34	75089596	2	Clevis Pin
35	75081348	2	Roller
36	75084052	2	Cotter Pin
37	75088064	1	5/8" Flat Washer
38	7500010-7	1	Hex Bolt, 5/8-11x2-3/4" Grade 8
39	7500065-2	1	Locknut, 5/8-11, Jam
40	75088081 ^D	8	Lock Washer, 3/8"
41	75088053 ^D	8	Flat Washer, 3/8"
42	26485002 ^E	1	Trailer Hitch Assy
43	26430003 ^E	1	Lift Arm Assy for Hitch Option
44	75086229 ^G	12	Hex Bolt, 3/4-10 x 2-1/4" Grade 8
45	75088159 ^G	24	Flat Washer, 3/4"
46	75088087 ^G	12	Lock Washer, 3/4"
47	75085016 ^G	12	Hex Nut, 3/4-10 Grade 5

^A QTY of 1 with Gravity Down Pump, QTY of 0 with Power Down Pump

^B QTY of 1 with Gravity Down Pump, QTY of 2 with Power Down Pump

^C Included in Bearing Replacement Kit 80001283

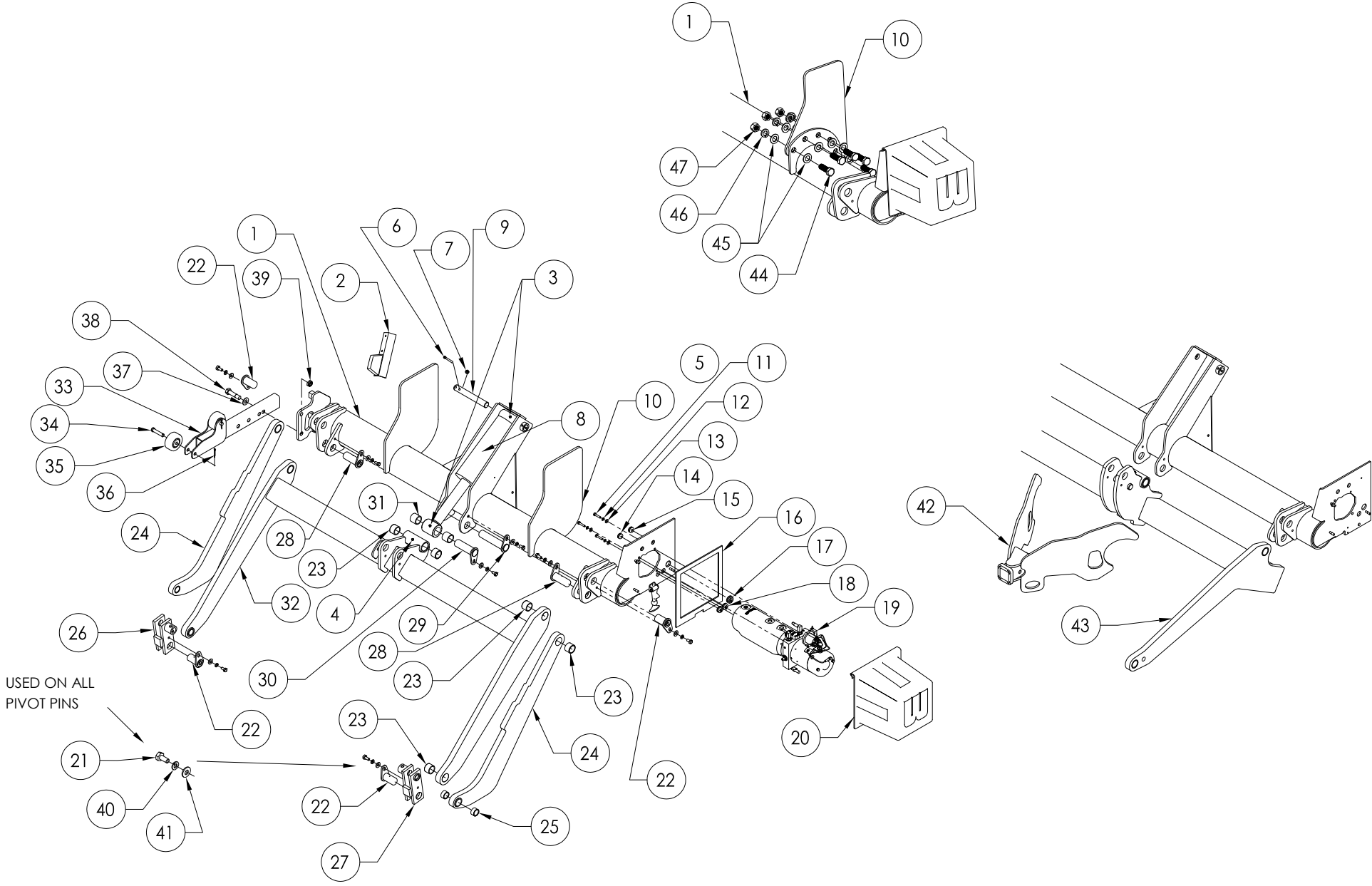
^D Included in Pin Replacement Kit 80001285

^E Included in Trailer Hitch Retro Kit 80001310

^F Prior to 10-2012, two snubbers were used

^G Included in Galvanized Hardware kit 80001382GV

MOUNT FRAME ASSEMBLY

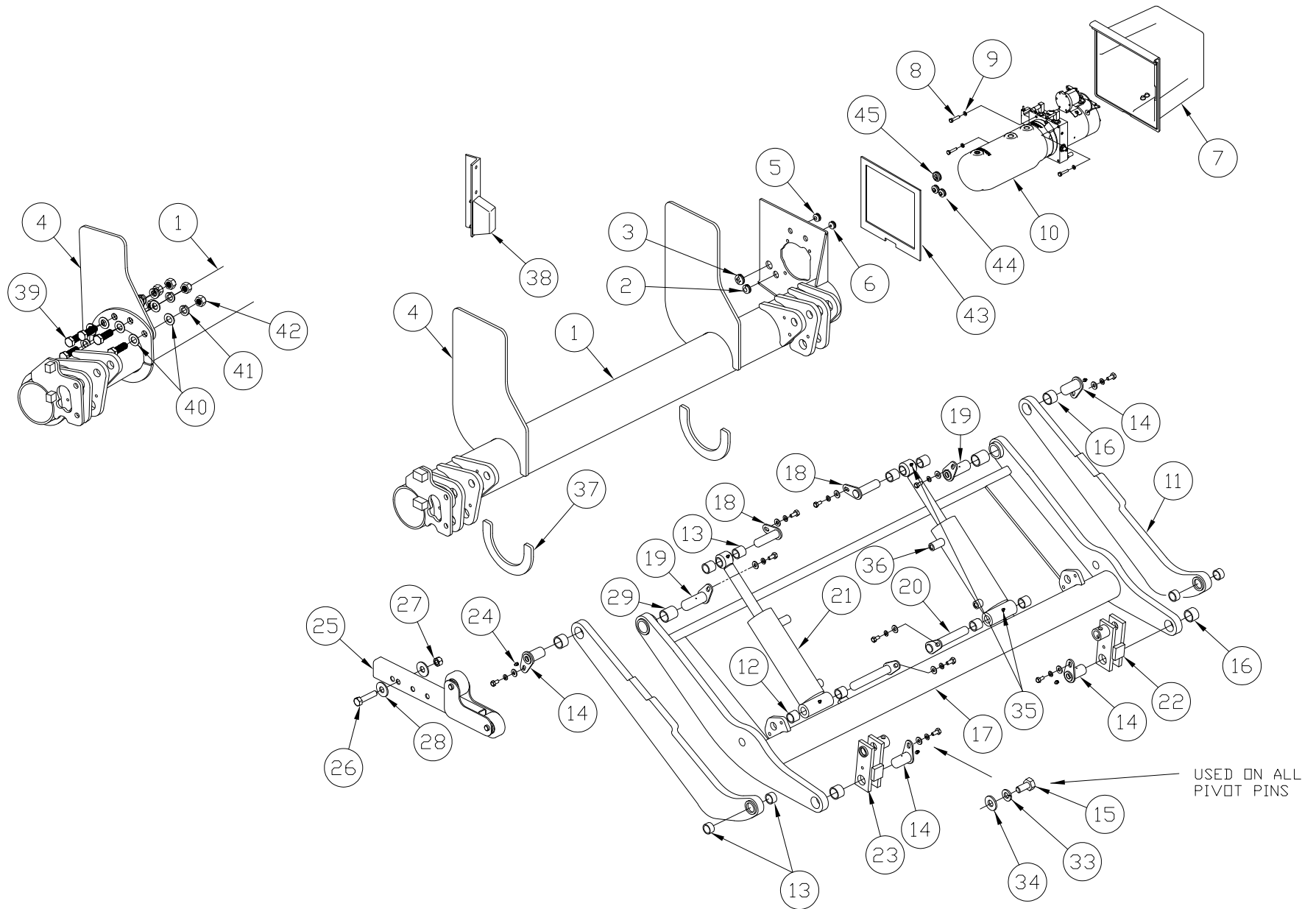


ITEM	PART NUMBER	QTY	DESCRIPTION
1	26520001	1	Mount Frame Weldment
	26520001GV		Mount Frame, Bolt-on (Galvanized)
2	75089334	1	Grommet, 1/2" ID
3	75090310	1	Grommet, Multi-Split
4	26470101	2	Mount Plate
	22220500		Mount Plate, Bolt-on
5	70401408	1 ^A	Grommet, 7/16" ID
6	70401409	1 ^B	Grommet, 1/4" ID
7	10090450	1	Pump Cover
8	7500010-21	3	Hex Screw, 1/4-20 x 1", Gr 8
9	75088079	3	Lock Washer, 1/4"
10	70430570	1	Hydraulic Pump, Gravity Down
	70430580		Hydraulic Pump, Power Down
11	26455001	2	Parallel Arm Assembly
	26455001GV		Parallel Arm Assembly (Galvanized)
12	10010188 ^C	6	Bearing, 1" ID x 1" Lg
13	10010187 ^C	8	Bearing, 1" ID x 3/4" Lg
14	1000022-01 ^D	4	Pin Assembly, 1-1/4" x 2-1/8"
15	75088055 ^D	10	Hex Bolt, 3/8-16 x 3/4" Grade 5
16	10010189 ^C	4	Bearing, 1-1/4" ID x 1" Lg
17	26530001	1	Lift Arm Weldment
	26530001GV		Lift Arm Weldment (Galvanized)
	26530002		Lift Arm Weldment, Under-ride
18	1000021-03 ^D	2	Pin, 1" x 3-1/4"
19	1000022-02 ^D	2	Pin Assembly, 1-1/4" x 3"
20	1000021-06 ^D	2	Pin, 1" x 5-7/8"
21	26580010 ^E	2	Hydraulic Cylinder
22	CS Stop Block	1	See PM-798
23	DS Stop Block	1	See PM-798
24	75089307	12	Grease Zerk Fitting
25	26492001	1	Parting Bar Assembly
	26492001GV		Parting Bar Assembly (Galvanized)
26	7500010-7	1	Hex Bolt, 5/8-11 x 2-3/4" Lg Grade 8
27	7500065-2	1	Locknut, 5/8-11, Jam

ITEM	PART NUMBER	QTY	DESCRIPTION
28	75088064	2	Washer, 5/8"
29	10010189 ^C	2	Bearing, 1-1/4" ID x 1" Long
32	10010186 ^C	2	Bearing, 1-1/4" ID x 1-5/8" Lg
33	75088081 ^D	10	Lock Washer, 3/8"
34	75088053 ^D	10	Flat Washer, 3/8"
35	7500045-2	4	Grease Zerk, 1/4 Straight
36	26580011 ^E	2	Flow Regulator Valve
37	26520701	2	U-Bar, Mount Plate
38	26496501	1	Snubber Assembly
39	75086229 ^F	12	Hex Bolt, 3/4-10 x 2-1/4" Grade 8
40	75088159 ^F	24	Flat Washer, 3/4"
41	75088087 ^F	12	Lock Washer, 3/4"
42	75085016 ^F	12	Hex Nut, 3/4-10 Grade 5
43	10090460	1	Gasket
44	75089334	2	Grommet, 1/2" ID
45	75090310	1	Grommet, Multi-Hole, Split

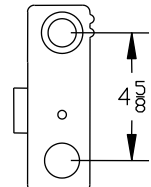
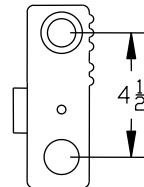
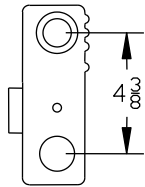
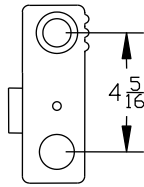
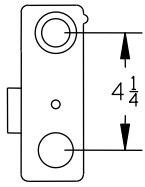
- ^A QTY of 2 with Power Down Pump, QTY of 1 with Gravity Down Pump
^B QTY of 0 with Power Down Pump, QTY of 1 with Gravity Down Pump
^C Included in Bearing Replacement Kit 80001284
^D Included in Pin Replacement Kit 80001286
^E Hydraulic Cylinder 26580010 includes Flow Regulator 26580011
^F Included in Galvanized Hardware kit 80001382GV

MOUNT FRAME ASSEMBLY



PM-798 Stop Block Assemblies

Stop Blocks shipped with liftgate are based on the depth and style of platform.



26450001	CS	26450003	CS	26450004	CS	26450005	CS	26450002	CS
26450001GV	CS	26450003GV	CS	26450004GV	CS	26450005GV	CS	26450002GV	CS
26450051	DS	26450053	DS	26450054	DS	26450055	DS	26450052	DS
26450051GV	DS	26450053GV	DS	26450054GV	DS	26450055GV	DS	26450052GV	DS
26451001	Kit	26451003	Kit	26451004	Kit	26451005	Kit	26451002	Kit
26451001GV	Kit	26451003GV	Kit	26451004GV	Kit	26451005GV	Kit	26451002GV	Kit

Kits include both stop blocks.

Below in **bold** indicates which stop blocks that are shipped with different platforms.

Below are stop block recommendations for different bed height ranges.

Note:

1. The larger the stop block hole spacing, the more tilt up the platform will achieve at bed height.
2. Item numbers ending in "GV" indicate Galvanized Option.

44" Deep Wedge Platform

Bed Height Range	A-Dim	Recommend Stop Blocks
56 - 55	26	26450003 & 26450053 26450003GV & 26450053GV
54 - 44	24	26450004 & 26450054 26450004GV & 26450054GV
43 - 36	19	26450002 & 26450052 26450002GV & 26450052GV

40 + 4" Deep Platform

Bed Height Range	A-Dim	Recommend Stop Blocks
56 - 55	26	26450001 & 26450051 26450001GV & 26450051GV
54 - 44	24	26450003 & 26450053 26450003GV & 26450053GV
43 - 36	19	26450005 & 26450055 26450005GV & 26450055GV

50" Deep Wedge Platform

Bed Height Range	A-Dim	Recommend Stop Blocks
56 - 55	26	26450001 & 26450051 26450001GV & 26450051GV
54 - 44	24	26450003 & 26450053 26450003GV & 26450053GV
43 - 39	19	26450005 & 26450055 26450005GV & 26450055GV

46+4" Deep Platform

Bed Height Range	A-Dim	Recommend Stop Blocks
56 - 55	26	26450001 & 26450051 26450001GV & 26450051GV
54 - 44	24	
43 - 39	19	26450003 & 26450053 26450003GV & 26450053GV

GR02815

REVISED 3-2016

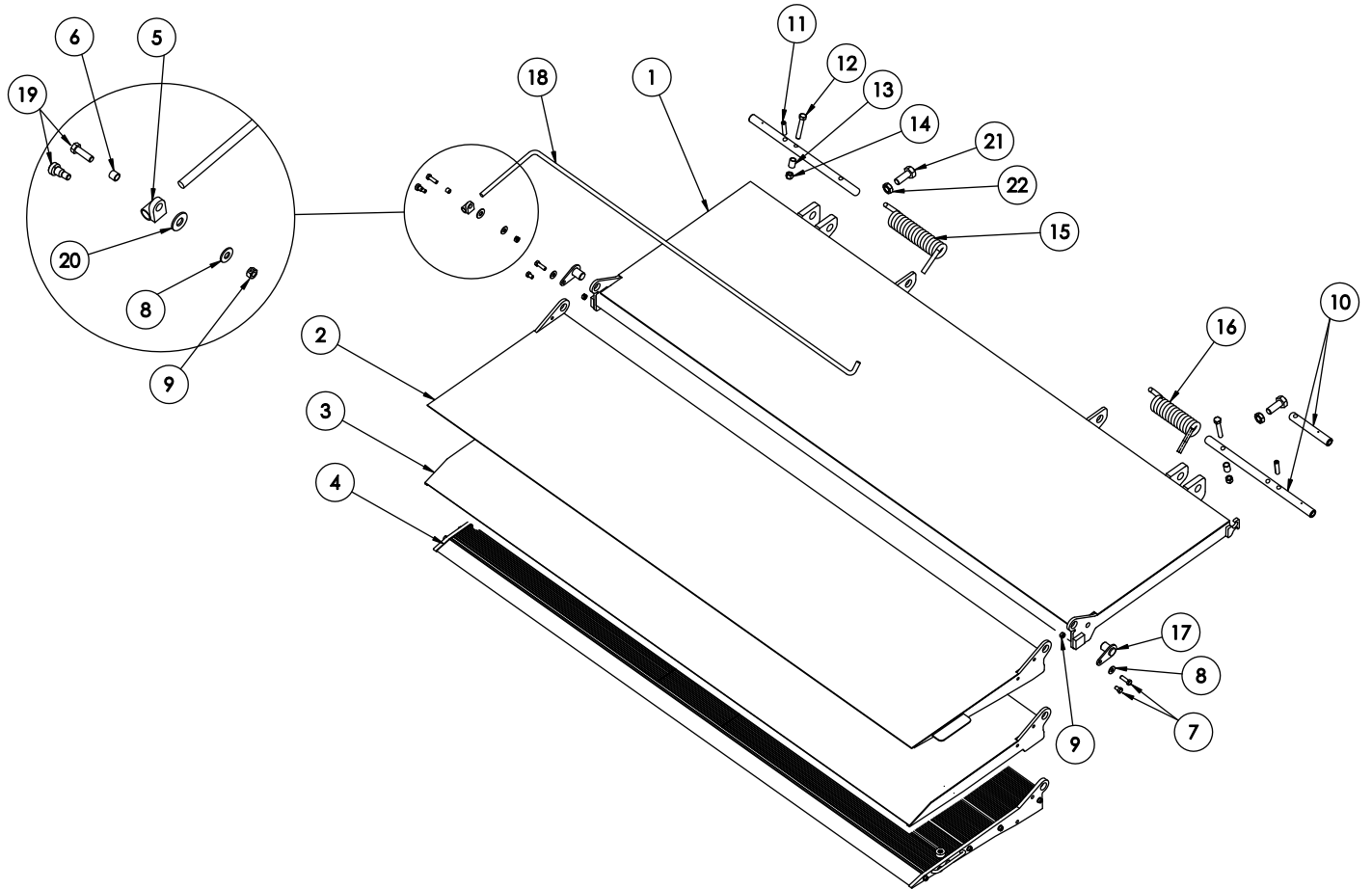
E.O. 7820

REV 04

ITEM	PART NUMBER	50" WEDGE 26411521	44" WEDGE 26411522	50" WEDGE W/CART STOPS 26410025	44" WEDGE W/CART STOPS 26410026	46"+4" 26411523	40"+4" 26411524	DESCRIPTION
	26411521	X						Complete Platform w/Torsion Bar
	26411522		X					Complete Platform w/Torsion Bar
	26410025			X				Complete Platform
	26410026				X			Complete Platform
	26411523					X		Complete Platform w/Torsion Bar
	26411524						X	Complete Platform w/Torsion Bar
1	26411021	1	-	1	-	1	-	Deck Assy, ref 50"
	26411022	-	1	-	1	-	1	Deck Assy, ref 44"
2	80001370	1	-	-	-	-	-	Deck Ext Assy, ref 50"
	80001371	-	1	-	-	-	-	Deck Ext Assy, ref 44"
3	80001372	-	-	-	-	1	-	Deck Ext Assy, ref 50"
	80001373	-	-	-	-	-	1	Deck Ext Assy, ref 44"
4	80001374	-	-	1	-	-	-	Alum Deck Ext w/Cart Stops 50"
	80001375	-	-	-	1	-	-	Alum Deck Ext w/Cart Stops 44"
5	26417301	1	1	-	-	1	1	Torsion Bar Anchor
6	22714501	1	1	-	-	1	1	Spacer
7	75086218	3	3	2	2	3	3	Hex Bolt, 3/8-16x1-1/4", Grade 8
	75086053	-	-	-	-	-	-	Hex Bolt, 3/8-16x1/2" Gr 8 w/Vibraseal Thread Locking
8	75088053	3	3	2	2	3	3	Flat Washer, 3/8"
9	75085188	3	3	2	2	3	3	3/8-16 Lock Nut
10	26412001 ^{AB}	2	2	2	1	2	2	Pin w/grease fitting (Long)
	26412030 ^{AB}				1			Pin w/grease fitting (Short)
11	75089542 ^{AB}	2	2	2	2	2	2	1/2" x 2" Coil Pin
12	7500010-42 ^{AB}	2	2	-	-	2	2	Hex Bolt, 1/2-13 x 3" Lg, Grade 8
13	26418001 ^{AB}	2	2	-	-	2	2	Spacer Tube
14	75085162 ^{AB}	2	2	-	-	2	2	1/2-13 Lock Nut
15	21514301 ^A	1	-	1	1	1	-	Torsion Spring, Green End
16	22114300 ^A	1	2	1	-	1	2	Torsion Spring, Red End
17	1000101-6	2	2	2	2	2	2	Pin Assy
18	22517100	1	1	-	-	1	1	Torsion Bar, 1/2"
19	75086218	-	-	-	-	-	-	Hex Bolt, 3/8-16 x 1-1/4" Gr 8
	75086219	-	-	-	-	-	-	Hex Bolt, 3/8-16 x 1-1/2" Gr 8 Alum Deck Extensions
	7500019-3	-	-	-	-	-	-	Socket Head Shoulder Bolt Older Steel & Alum Deck Ext.
20	75088056	1	1			1	1	1/2" Flat Washer
21	7500010-30	2	2	2	2	2	2	Hex Bolt 3/4-10x2" Lg.
22	75085015	2	2	2	2	2	2	Hex Jam Nut 3/4-10

^A These parts are not included in 264100XX or 264115XX Assemblies
^B Included in Pin Replacement Kits 80001285 (EM) & 80001286 (EM TC)

STEEL PLATFORM ASSEMBLY



ITEM	PART NUMBER	44" ALUM WEDGE w/CART STOPS 26410030/GV ^E	44" ALUM WEDGE 26410028/GV ^E	50" ALUM WEDGE w/CART STOPS 26410029/GV ^E	50" ALUM WEDGE 26410027/GV ^E	DESCRIPTION
	26410030 26410030GV	X				Complete Platform Complete Platform Galvanized
	26410028 26410028GV		X			Complete Platform Complete Platform Galvanized
	26410029 26410029GV			X		Complete Platform Complete Platform Galvanized
	26410027 26410027GV				X	Complete Platform Complete Platform Galvanized
1	26411023 / GV ^E	-	-	1	1	Deck, 50" Alum
	26411024 / GV ^E	1	1	-	-	Deck, 44" Alum
2	80001374	-	-	1	-	Deck Ext Assy, 50" Alum w/ Cart Stops
	80001375	1	-	-	-	Deck Ext Assy, 44" Alum w/ Cart Stops
	80001376	-	-	-	1	Deck Ext Assy, 50" Alum Wedge
	80001377	-	1	-	-	Deck Ext Assy, 44" Alum Wedge
3	1000101-6	2	2	2	2	Pin Assy
4	75086218	2	2	2	2	Hex Bolt, 3/8-16 x 1-1/4" Lg., Gr 8
	75086053	-	-	-	-	Hex Bolt, w/Vibraseal Thread Locking
5	26417702 ^D	-	-	-	-	Torsion Bar, 3/8"
6	26417301 ^D	-	-	-	-	Torsion Bar Anchor
7	75086219 ^D	-	-	-	-	Hex Bolt, 3/8-16 x 1-1/2" Lg., Gr 8
	7500019-3 ^D	-	-	-	-	Socket Head Shoulder Bolt, (Older Deck Extensions)
8	42668440	4	-	4	-	Spring, Cart Stop
9	26414801 ^A	1	-	1	-	Cart Stop Assy Complete, Curbside
	26414851 ^A	1	-	1	-	Cart Stop Assy Complete, Street Side
10	42669012	1	-	1	-	Cart Stop, Curbside
	42669011	1	-	1	-	Cart Stop, Street Side
11	75089591	2	-	2	-	Spring Pin, 3/16" Dia x 7/8" Lg.
12	7500019-4	2	-	2	-	Socket Head Shoulder Bolt, 3/8" x 3/8"
13	42669299	2	-	2	-	Roll Stop
14	42669286	6	-	6	-	Shim
15	75088268	2	-	2	-	Spring, Cart Stop
16	42669014	2	-	2	-	Locking Pin, Cart Stop
17	26412001 ^{C,D}	1	1	2	2	Pin, Deck Spring w/ Grease Fitting (Long)
	26412030	1	1	-	-	Pin, Deck Spring w/ Grease Fitting (Short)
18	75089542 ^{C,D}	2	2	2	2	Coil Spring, 1/2" Dia x 2" Lg.
19	75085015	2	2	2	2	Hex Jam Nut, 3/4-10
20	7500010-30	2	2	2	2	Hex Bolt, 3/4-10 x 2" Lg. Grade 5
21	21514301 ^D	1	1	-	-	Torsion Spring, Green End
22	22114300 ^D	-	-	2	2	Torsion Spring, Red End
23	10010187 ^{B,D}	4	4	4	4	Bearing, 1" Dia x 3/4" Lg.
24	7500010-42 ^{C,D}	2	2	2	2	Hex Bolt, 1/2-13 x 3" Lg., Gr 8
25	75085162 ^{C,D}	2	2	2	2	Lock Nut, 1/2-13, Nylon
26	26418001 ^{C,D}	2	2	2	2	Spacer Tube
27	75085188 ^D	2	2	2	2	3/8-16 Lock Nut
28	22714501 ^D	-	-	-	-	Spacer
29	75088081	-	-	-	-	3/8" Lock Washer
30	75088053	2	2	2	2	3/8" Flat Washer
31	75088056	-	-	-	-	1/2" Flat Washer
32	42669286	2	-	2	-	Spacer (Washer)

^A Includes items 10 thru 14.

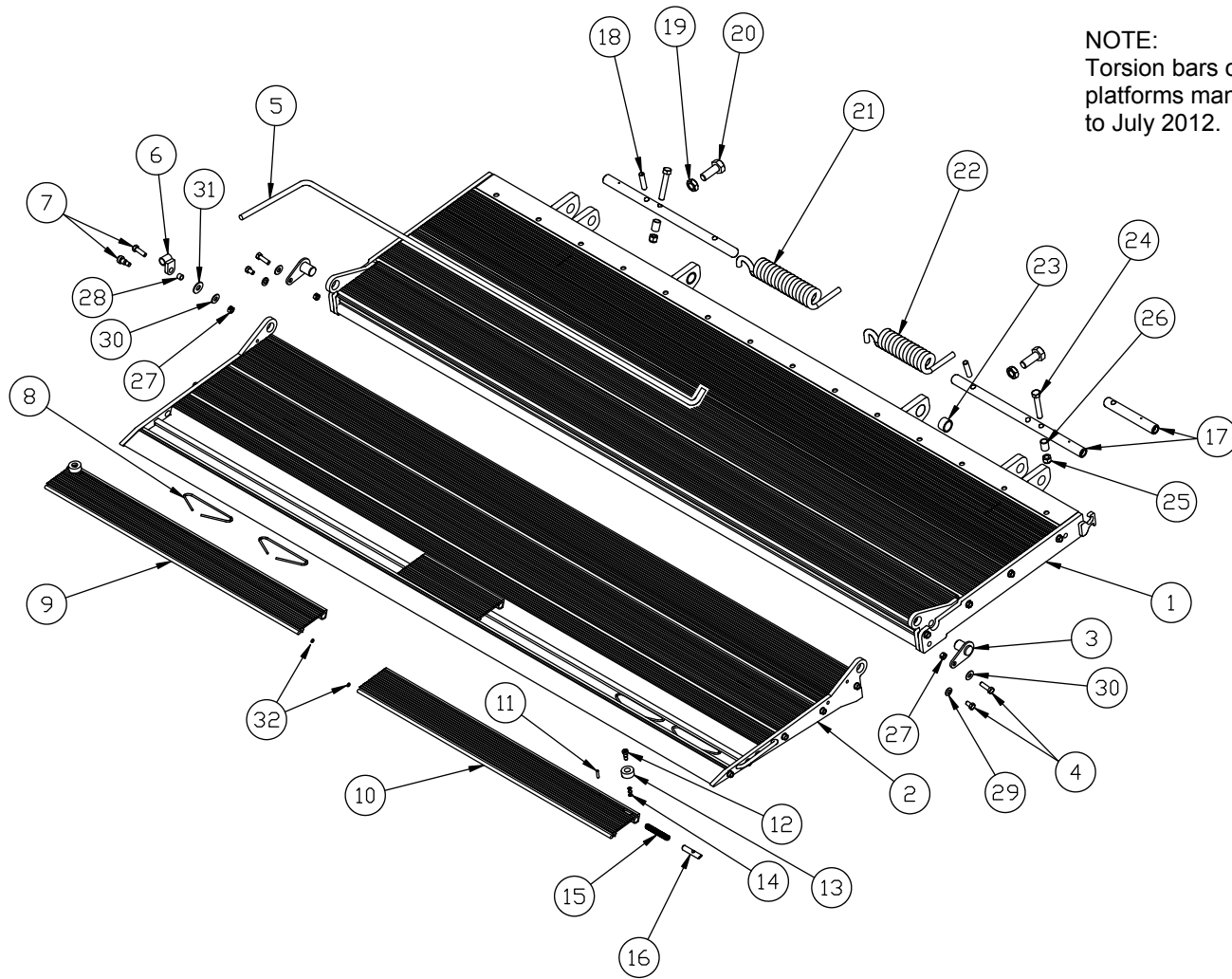
^B Included in Bearing Replacement Kits 80001283 (EM) & 80001284 (EM TC)

^C Included in Pin Replacement Kits 80001285 (EM) & 80001286 (EMTC)

^D Not included with any Platforms 264100XX

^E GV indicates Galvanized option available (ADD "GV" to part number).

ALUMINUM PLATFORM ASSEMBLIES



NOTE:
Torsion bars only on some
platforms manufactured prior
to July 2012.

ITEM	PART NUMBER	QTY	DESCRIPTION
1	26460007	1	Bed Extension, 96" Vehicles
	26460008		Bed Extension, 102" Vehicles
1A	26460005	1	Bed Extension, 96" Bolt-On Design
	26460005GV		Bed Extension, 96" Bolt-On Design, GV
	26460006		Bed Extension, 102" Bolt-On Design
	26460006GV		Bed Extension, 102" Bolt-On Design, GV
	26460013		Bed Ext, Walk Ramp 96" Bolt-On Design
	26460013GV		Bed Ext, Walk Ramp 96" Bolt-On Design, GV
	26460014		Bed Ext Walk Ramp 102 Bolt-On Design
	26460014GV		Bed Ext Walk Ramp 102 Bolt-On Design, GV
	26460020		Bed Ext, 3/8" Skin, 96" Bolt-On Design
	26460021		Bed Ext, 3/8" Skin, 102" Bolt-On Design
1B	22762001	1	Bolt-On Hardware Kit for Bed Extensions (Not Shown)
2	26497001	1	Dock Bumper, CS For Lights (Option)
	26497001GV		Dock Bumper, CS For Lights (Option), GV
3	26497051	1	Dock Bumper, DS For Lights (Option)
	26497051GV		Dock Bumper, DS For Lights (Option), GV
4	26497002	1	Dock Bumper, CS No Lights (Option)
	26497002GV		Dock Bumper, CS No Lights (Option), GV
5	26497052	1	Dock Bumper, DS No Lights (Option)
	26497052GV		Dock Bumper, DS – No Lights (Option), GV
6	26498501	1	Stir-Up Assembly (Option)
	26498501GV		Stir-Up Assembly (Option), GV ^D
7	26297604 ^B	2	24" Rubber Bumper, Long (Option)
8	26297603 ^A	2	6" Rubber Bumper, Short (Option)
9	75088067 ^{AB}	6	Washer, 1/2" (Option)
10	75088085	8	Lock Washer, 5/8" (Option)
11	75086110 ^B	6	Hex Bolt, 1/2"-13 x 2-1/2" Lg. (Option)
12	75086154	8	Hex Bolt, 5/8"-11 x 1-3/4" Lg. (Option)
13	75088064	12	Washer, 5/8" (Option)
14	26498301	2	Angle, 3"x3"x24" Lg. (Optional)
15	26498102	1	Angle Support, CS (25-1/8" Lg) (Optional)
	26498102GV		Angle Support, CS, Galvanized (Optional)
16	26498152	1	Angle Support, DS (25-1/8" Lg) (Optional)
	26498152GV		Angle Support, DS, Galvanized (Optional)
17	75086218	8	Hex Bolt, 3/8"-16 x 1-1/4" (Option)

ITEM	PART NUMBER	QTY	DESCRIPTION
18	75088081	8	Lock Washer, 3/8" (Option)
19	75088053	17	Washer, 3/8" (Option)
20	75085096	8	Hex Nut, 3/8"-16 (Option)
21	26498201	4	Light Bracket (Option)
22	75089334	2	Grommet, 1/2" ID (Option)
23	75086732	12	Round Head Screw, #10-32 (Option)
24	75085000	12	Hex Nut, #10-32 (Option)
25	22575200	2	Harness, 2 Lamps (Option)
26	75089376	4	Light Grommet (Option)
27	75089373	2	Tail Light ST & T (Option)
28	75089374	2	Backup Light (Option)
29	7500010-12	1	Hex Bolt, 3/8"-16 x 1-3/4" Lg.
30	22598100	1	Transit Chain
31	75085193	1	Hex Lock Nut, 3/8"-16
32	7500010-23 ^A	4	Hex Bolt, 1/2"-13 x 3" Lg. (Option)
33	75085012	8	Hex Nut, 5/8-11
34	75088083 ^{AB}	6	Lock Washer, 1/2" (Option)
35	26497003	1	Dock Bumper, CS, Short
	26497003GV		Dock Bumper, CS, Short , GV
36	26497053	1	Dock Bumper, DS, Short
	26497053GV		Dock Bumper, DS, Short, GV
37	75085008	6	Hex Nut, 1/2"-13

Dock Bumpers complete w/ Stirrups / Rubber Bumpers and Truck Lights:
26498004 CS and 26498054 DS –or- 26498004GV CS and 26498054GV DS

Dock Bumpers complete w/ Stirrups / Rubber Bumpers and Trailer Lights:
26498007 CS and 26498057 DS –or- 26498007GV CS and 26498057GV DS

Dock Bumpers complete w/ Stirrups / Rubber Bumpers:
26498005 CS and 26498055 DS –or- 26498005GV CS and 26498055GV DS

Dock Bumpers complete w/ Stirrups / Rubber (WITHOUT lights and wire harness:
26498010 CS and 26498060 DS –or- 26498010GV CS and 26498060GV DS

Short Dock Bumpers complete w/ Stirrups / Rubber Bumpers:
26498003 CS and 26498053 DS –or- 26498003GV CS and 26498053GV DS

^A Included in 6" Rubber Bumper Kit 26496011

^B Included in 24" Rubber Bumper Kit 26496012

^C "GV" Indicates Galvanized option.

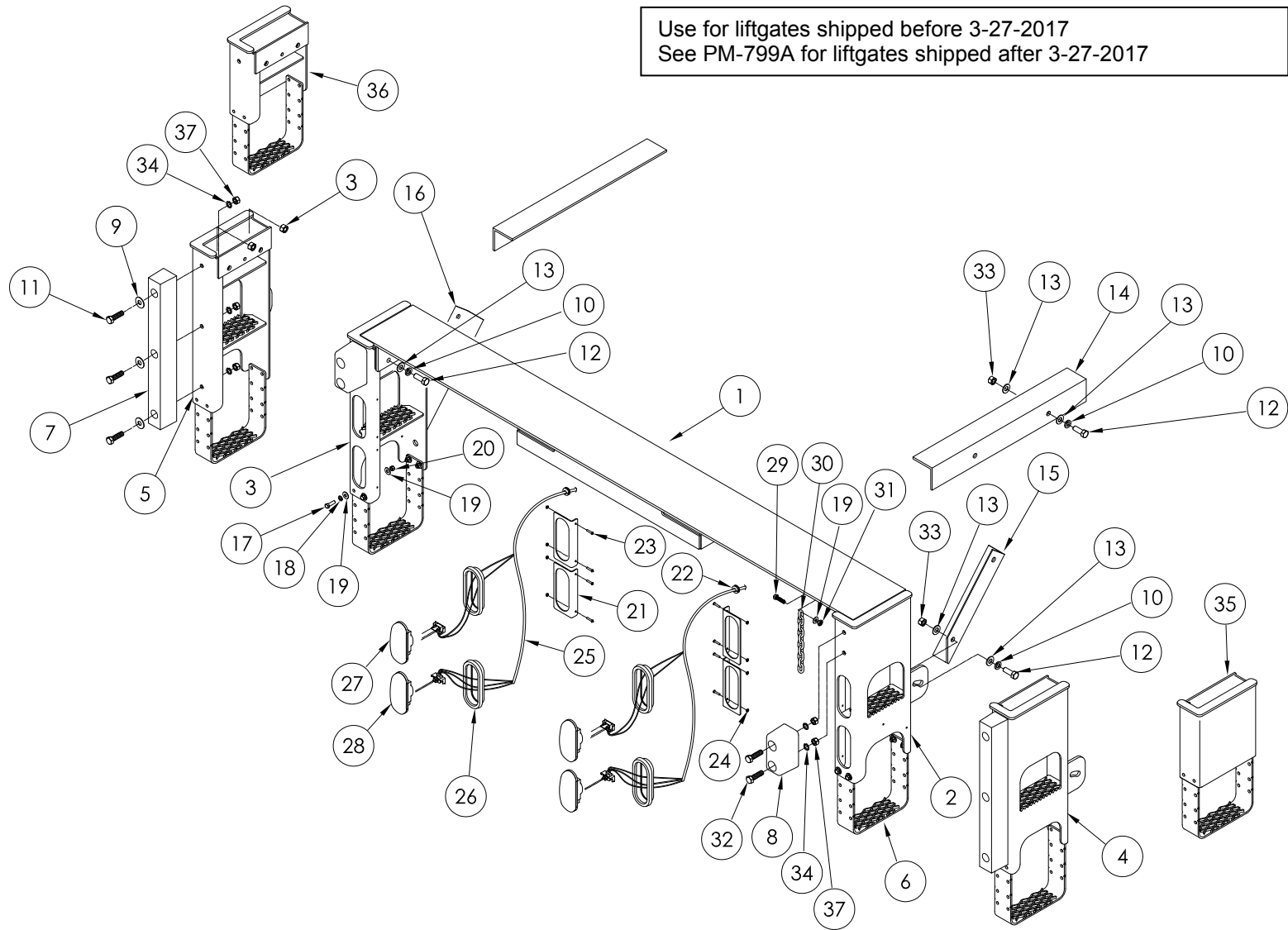


REVISED: 9-2018
E.O. 10497
REV. 08

PM-799

BED EXTENSION AND LIGHT KIT OPTIONS

Use for liftgates shipped before 3-27-2017
See PM-799A for liftgates shipped after 3-27-2017



ITEM	PART NUMBER	QTY	DESCRIPTION
1A	26460007	1	Bed Extension, 96" Bolt-On Design
	26460007GV		Bed Extension, 96" Bolt-On Design, GV
	26460008		Bed Extension, 102" Bolt-On Design
	26460008GV		Bed Extension, 102" Bolt-On Design, GV
	26460013		Bed Ext, Walk Ramp 96" Bolt-On Design
	26460013GV		Bed Ext, Walk Ramp 96" Bolt-On Design, GV
	26460014		Bed Ext Walk Ramp 102 Bolt-On Design
	26460014GV		Bed Ext Walk Ramp 102 Bolt-On Design, GV
	26460020		Bed Ext, 3/8" Skin, 96" Bolt-On Design
	26460021		Bed Ext, 3/8" Skin, 102" Bolt-On Design
1B	22762001	1	Bolt-On Hardware Kit for Bed Extensions (Not Shown)
2	26497011 ^D	1	Dock Bumper, CS For Lights (Option)
	26497011GV ^D		Dock Bumper, CS For Lights (Option), GV
3	26497061 ^D	1	Dock Bumper, DS For Lights (Option)
	26497061GV ^D		Dock Bumper, DS For Lights (Option), GV
4	26497010 ^D	1	Dock Bumper, CS No Lights (Option)
	26497010GV ^D		Dock Bumper, CS No Lights (Option), GV
5	26497060 ^D	1	Dock Bumper, DS No Lights (Option)
	26497060GV		Dock Bumper, DS No Lights (Option), GV
6	26498501	1	Stir-Up Assembly (Option)
	26498501GV		Stir-Up Assembly (Option), GV ^D
7	26498703 ^B	2	UHMW Bumper, Long (Option)
8	26498702 ^A	2	UHMW Bumper, Short (Option)
9	75088067 ^{AB}	6	Washer, 1/2" (Option)
10	75088085 ^{EF}	8	Lock Washer, 5/8" (Option)
11	75086110 ^B	6	Hex Bolt, 1/2"-13 x 2-1/2" Lg. (Option)
12	75086154 ^{EF}	8	Hex Bolt, 5/8"-11 x 1-3/4" Lg. (Option)
13	75088064 ^{EF}	12	Washer, 5/8" (Option)
14	26498301 ^{EF}	2	Angle, 3"x3"x24" Lg. (Optional)
15	26498102 ^E	1	Angle Support, CS (25-1/8" Lg) (Optional)
	26498102GV		Angle Support, CS, Galvanized (Optional)
16	26498152 ^E	1	Angle Support, DS (25-1/8" Lg) (Optional)
	26498152GV		Angle Support, DS, Galvanized (Optional)
17	75086218	8	Hex Bolt, 3/8"-16 x 1-1/4" (Option)
18	75088081	8	Lock Washer, 3/8" (Option)

ITEM	PART NUMBER	QTY	DESCRIPTION
19	75088053	17	Washer, 3/8" (Option)
20	75085096	8	Hex Nut, 3/8"-16 (Option)
21	26498201	4	Light Bracket (Option)
22	75089334	2	Grommet, 1/2" ID (Option)
23	75086732	12	Round Head Screw, #10-32 (Option)
24	75085000	12	Hex Nut, #10-32 (Option)
25	22575200	2	Harness, 2 Lamps (Option)
26	75089376	4	Light Grommet (Option)
27	75089373	2	Tail Light ST & T (Option)
28	75089374	2	Backup Light (Option)
29	7500010-12	1	Hex Bolt, 3/8"-16 x 1-3/4" Lg.
30	22598100	1	Transit Chain
31	75085193	1	Hex Lock Nut, 3/8"-16
32	7500010-23 ^A	4	Hex Bolt, 1/2"-13 x 3" Lg. (Option)
33	75085012 ^{EF}	8	Hex Nut, 5/8-11
34	75088083 ^{AB}	6	Lock Washer, 1/2" (Option)
35	26497003 ^C	1	Dock Bumper, CS, Short
	26497003GV ^C		Dock Bumper, CS, Short , GV
36	26497053 ^C	1	Dock Bumper, DS, Short
	26497053GV ^C		Dock Bumper, DS, Short, GV
37	75085008 ^{AB}	6	Hex Nut, 1/2"-13
38	26498550	2	Wire Rope Step Assembly (Option)

Dock Bumpers complete / UHMW Bumpers and Truck Lights:

26498013 CS and 26498063 DS –or- 26498013GV CS and 26498063GV DS

Dock Bumpers complete / UHMW Bumpers and Trailer Lights:

26498012 CS and 26498062 DS –or- 26498012GV CS and 26498062GV DS

Dock Bumpers complete / UHMW Bumpers:

26498011 CS and 26498061 DS –or- 26498011GV CS and 26498061GV DS

Dock Bumpers complete / UHMW (WITHOUT lights and wire harness):

26498014 CS and 26498064 DS –or- 26498014GV CS and 26498064GV DS

Short Dock Bumpers complete w/ Stirrups / Rubber Bumpers:

26498003 CS and 26498053 DS –or- 26498003GV CS and 26498053GV DS

^A Included in Short UHMW Bumper Kit 26496013

^B Included in Long UHMW Bumper Kit 26496014

^C For bed heights =< 46" ^D For bed heights >46"

^E Included in Dock Bumper Brace Kit 22796020

^F Included in Galvanized Dock Bumper Brace Kit 22796020GV

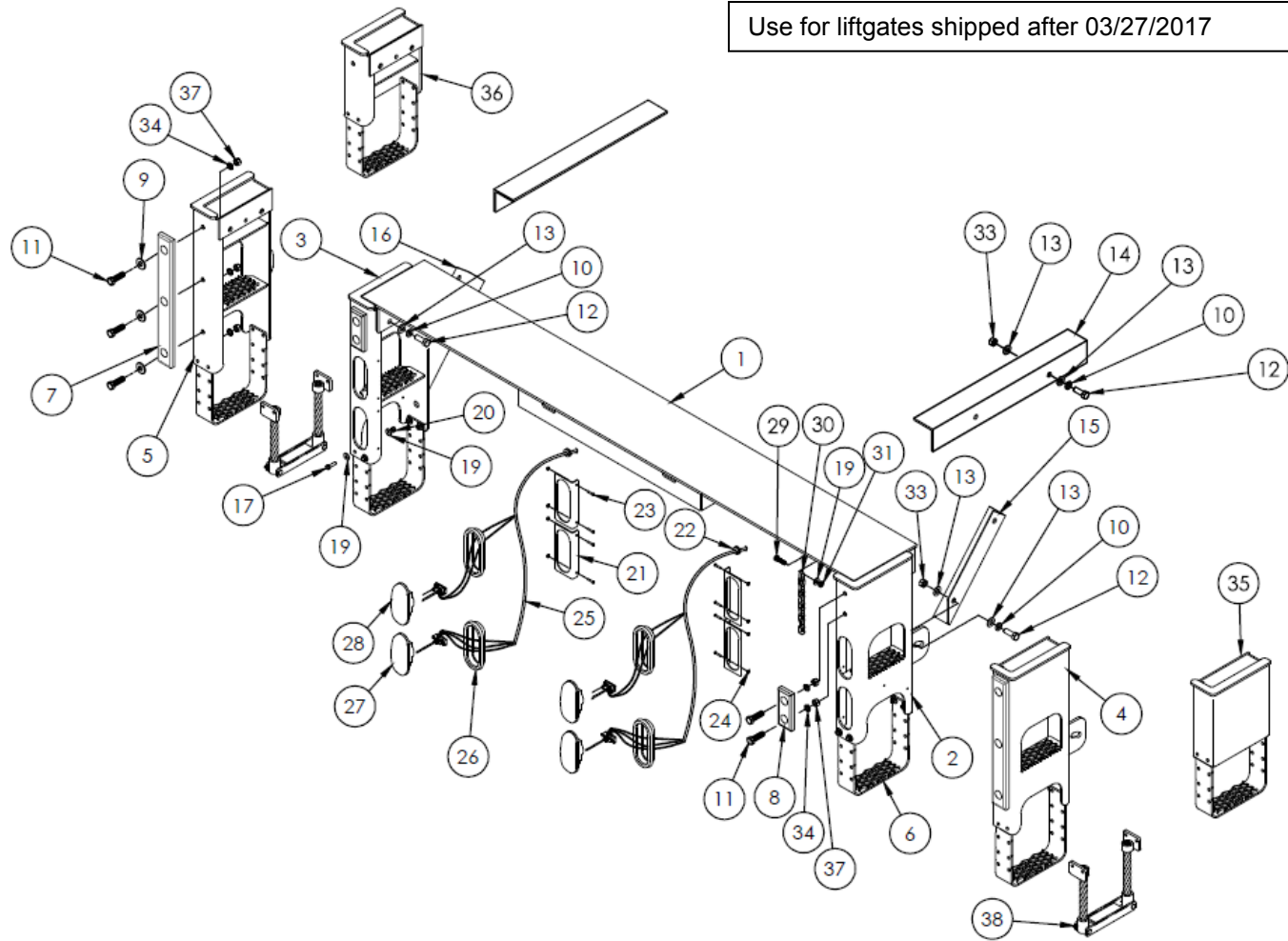


REVISED: 9-2018
E.O. 10497
REV. 01

PM-799A

BED EXTENSION AND LIGHT KIT OPTIONS

Use for liftgates shipped after 03/27/2017



ITEM	PART NUMBER	QTY	DESCRIPTION
1	70430570 ^A	1	Pump Unit With Thermal Switch Standard 3-2012 to 5-2013 Optional 5-2013 to 1-2016 Standard after 1-2016
	70430575 ^A		Pump Unit, Non-Thermal Switch 2500 lb & 3300 lb Capacity Standard between 5-2013 and 1-2016
	70430550 ^B		Pump Unit 2500 lb and 3000 Capacity w/Thermal Switch Standard prior to 3-2012
	70430705 ^A		Pump Unit, 24 Volt w/Thermal Switch
A	70400001 ^C	1	Hydraulic Reservoir
B	70092312 ^{C, D}	1	Motor, Non-Thermal Switch
	7043001-1 ^C		Motor, w/Thermal Switch
	70430706 ^C		Motor, 24 Volt w/Thermal Switch
C	10098425 ^C	1	8" Ground Cable
D	10099309 ^C	1	Inline Fuse Assembly (Includes Fuse 75089853)
E	75089854 ^C	1	Fuse
F	75089833 ^C	1	Starter Solenoid
	70430707 ^C		Starter Solenoid, 24 Volt
G	70092503 ^C	1	Valve Assy, 2-way, 2 pos w/ Coil
	70430709 ^C		Valve Assy, 24 Volt w/ Coil
H	70400004 ^C	1	Breather
J	70091291 ^C	1	Steel Plug
K	75089834 ^C	1	Bus Bar
	70430711 ^C		Bus Bar for 24 Volt pumps
L	70402303 ^C	1	Coil, 10V, 25W
	70430708 ^C		Coil, 18V, for 24 Volt pumps
M	70401435 ^C	1	Elbow, Pressure
N	70401430 ^C	1	Elbow, Return
P	75082023 ^D	1	Adapter
2	26480010	1	Hydraulic Cylinder
3	7010001-19	1	Flow Valve, 2.75 GPM

ITEM	PART NUMBER	QTY	DESCRIPTION
4	26299500	1	Hose, 1/4" I.D.
5	75082741	1	Barbed Fitting, 1/8" NPTF x 1/4" Straight
6	75083216	1	Hose, 1/4" I.D. x 7/16"-20 JIC x 57" Long
7	75086732	1	Round Head Screw, 10-32x1"
8	75083044	1	Hose Clamp, 1/2"
9	75082881	1	Hose Clamp, 3/8"
10	75085000	1	Locknut, 10-32
11	43012382	1	Hose Sleeve
12	75089300	2	Wire Tie, 8"

^A These pump units must be used with hose 75083216, not 75083201.

^B Used prior to 3-20-12.

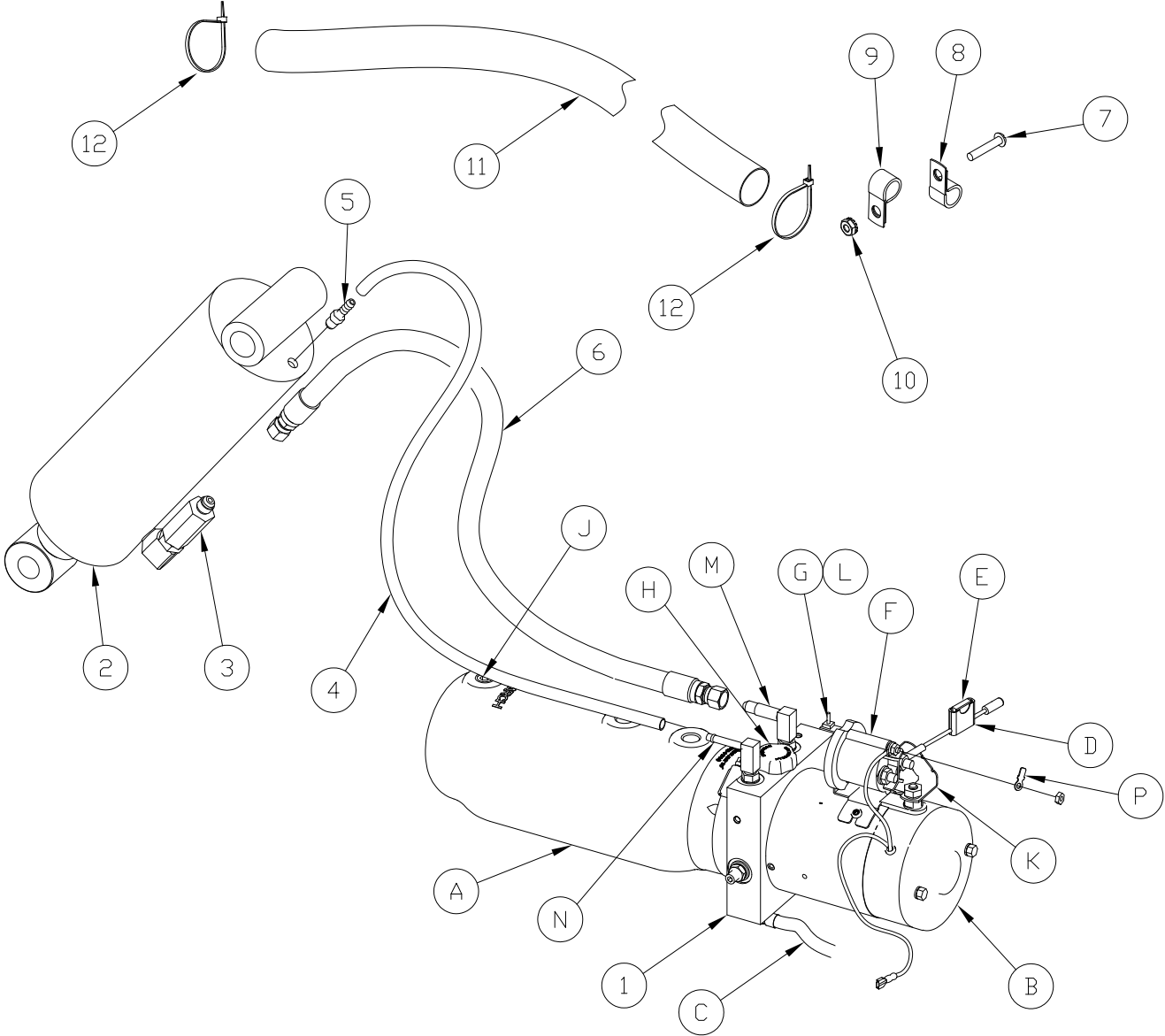
^C Included in Pump Assemblies if applicable.

^D Only used w/Non-Thermal Switch Pump Units.



Pump units listed do not have flow control valves, liftgate must be equipped with a Pressure Compensated Flow Control Valve as shown.

EM HYDRAULIC LAYOUT, GRAVITY DOWN WITH BUCHER POWER UNIT



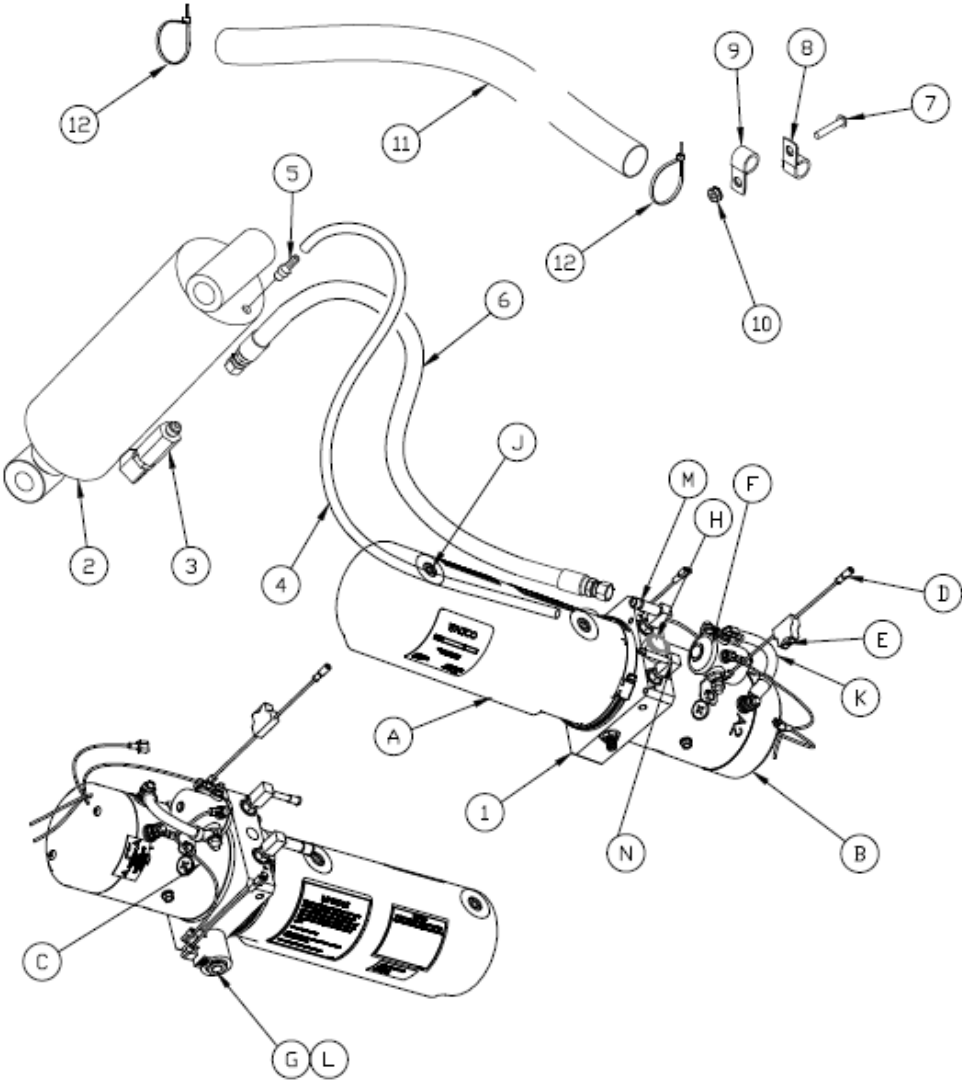
ITEM	PART NUMBER	QTY	DESCRIPTION
1	70430570 ^A	1	Pump Unit With Thermal Switch Standard after 9-2018
A	70401492 ^B	1	Hydraulic Reservoir
B	70401488 ^B	1	Motor, w/Thermal Switch
C	70401493 ^B	1	Ground Wire Assy.
D	70401490 ^B	1	Inline Fuse Assembly (Includes Fuse 75089854)
E	75089854 ^B	1	Fuse, 15A
F	70401489 ^B	1	Starter Solenoid
G	70401487 ^B	1	Valve Solenoid #8 NC 2-way, 2 pos.
H	70401494 ^B	1	Breather
J	70091291 ^B	2	Steel Plug
K	70401491 ^B	1	Motor Power Cable
L	70401486 ^B	1	Coil, 10V DC, #8
M	70401435 ^B	1	Elbow, Pressure
N	70401430 ^B	1	Elbow, Return
2	26480010	1	Hydraulic Cylinder
3	7010001-19	1	Flow Valve, 2.75 GPM
4	26299500	1	Hose, 1/4" I.D.
5	75082741	1	Barbed Fitting, 1/8" NPTF x 1/4" Straight
6	75083216	1	Hose, 1/4" I.D. x 7/16"-20 JIC x 57" Long
7	75086732	1	Round Head Screw, 10-32x1"
8	75083044	1	Hose Clamp, 1/2"
9	75082881	1	Hose Clamp, 3/8"
10	75085000	1	Locknut, 10-32
11	43012382	1	Hose Sleeve
12	75089300	2	Wire Tie, 8"

^A Manufactured by KTI Hydraulics
^B Included in Pump Assemblies if applicable.



Pump units listed do not have flow control valves; liftgate must be equipped with a Flow Control Valve as shown.

EM HYDRAULIC LAYOUT, GRAVITY DOWN, WITH KTI POWER UNIT



ITEM	PART NUMBER	QTY	DESCRIPTION
1	70430570	1	Hydraulic Pump Unit w/Thermal Switch 3300 lb Capacity Only w/Thermal Switch Standard 3-2012 to 5-2013 Optional 5-2013 to 1-2016 Standard after 1-2016
	70430575		Hydraulic Pump Unit Non-Thermal Switch 2500 lb & 3300 lb Capacity Standard between 5-2013 and 1-2016
	70430550 ^A		Hydraulic Pump Unit 2500 lb & 3000 lb Capacity w/Thermal Switch Standard prior to 3-2012
	70430705		Pump Unit, 24 Volt w/Thermal Switch
A	70400001 ^B	1	Hydraulic Reservoir
B	70400004 ^B	1	Breather
C	70092312 ^{B, C}	1	Motor Non-Thermal Switch
	7043001-1 ^B		Motor w/Thermal Switch
	70430706 ^B		Motor, 24 Volt , w/Thermal Switch
D	75089833 ^B	1	Starter Solenoid
	70430707 ^B		Starter Solenoid, 24 Volt
E	70092503 ^B	1	Valve Assembly, 2-way, 2 pos w/ Coil
	70430709 ^B		Valve Assembly, 24 Volt w/Coil
F	75089853 ^B	1	Fuse
G	10099309 ^B	1	Inline Fuse Assembly (Includes Fuse 75089853)
	75089834 ^B		Bus Bar
H	70430711 ^B	1	Bus Bar for 24 Volt pumps
J	10098425 ^B	1	Ground Cable
K	70091291 ^B	1	Steel Plug
L	70402303 ^B	1	Coil, 10V, 25W
	70430708 ^B		Coil, 18V, for 24 Volt pumps
M	70401430 ^B	1	Elbow, Return
N	70401435 ^B	1	Elbow, Pressure
P	75082023 ^C	1	Adapter
2	26580010 ^D	2	Hydraulic Cylinder
3	75083111	1	Hose, 3/8" ID x 1/4" JIC x 3/8" JIC

ITEM	PART NUMBER	QTY	DESCRIPTION
4	7500077-11	1	Hose, 1/4" ID x 3/8" JIC x 3/8" JIC
5	75083023	1	Tube, 1/4" ID
6	7500092-1	2	Adapter, 3/8" ORB x 1/4" NPT
7	75082747	1	Tee Barbed Fitting, 1/4" NPT x 1/4" Tube
8	75083133	1	Tube, 1/4" ID
9	75082745	1	Elbow Barbed Fitting, 1/4" NPT x 1/4" Tube
10	75082887	1	Tee, 3/8" ORB x 3/8" JIC
11	75082869	1	Elbow, 3/8" ORB x 3/8" JIC
12	26580011 ^D	2	Pressure Compensative Valve

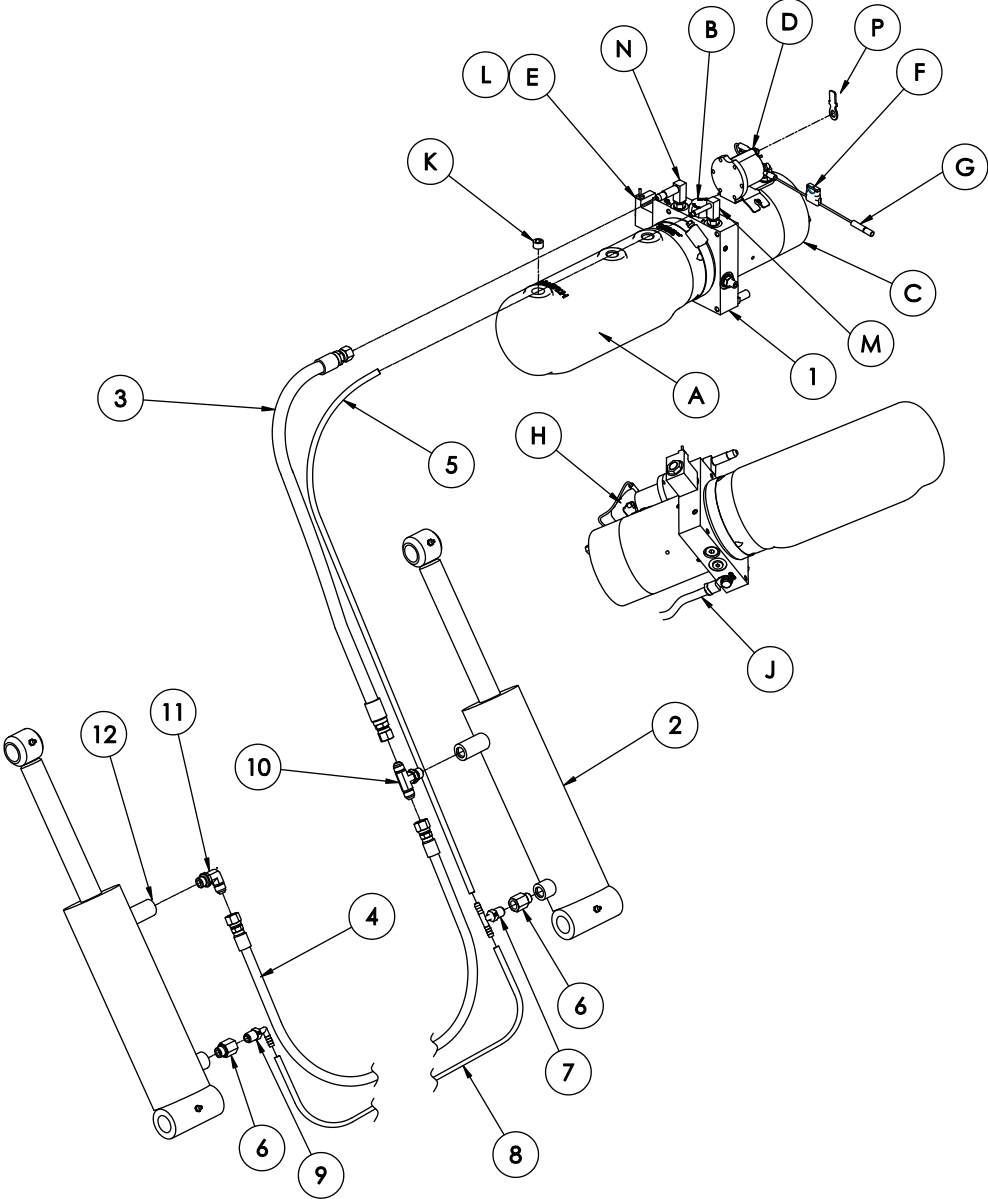
^A Used prior to 3-20-12

^B Included with Pump Units if applicable.

^C Only used w/Non-Thermal Switch Pump Units.

^D Hydraulic Cylinder 26580010 includes Pressure Comp Valve 26580011

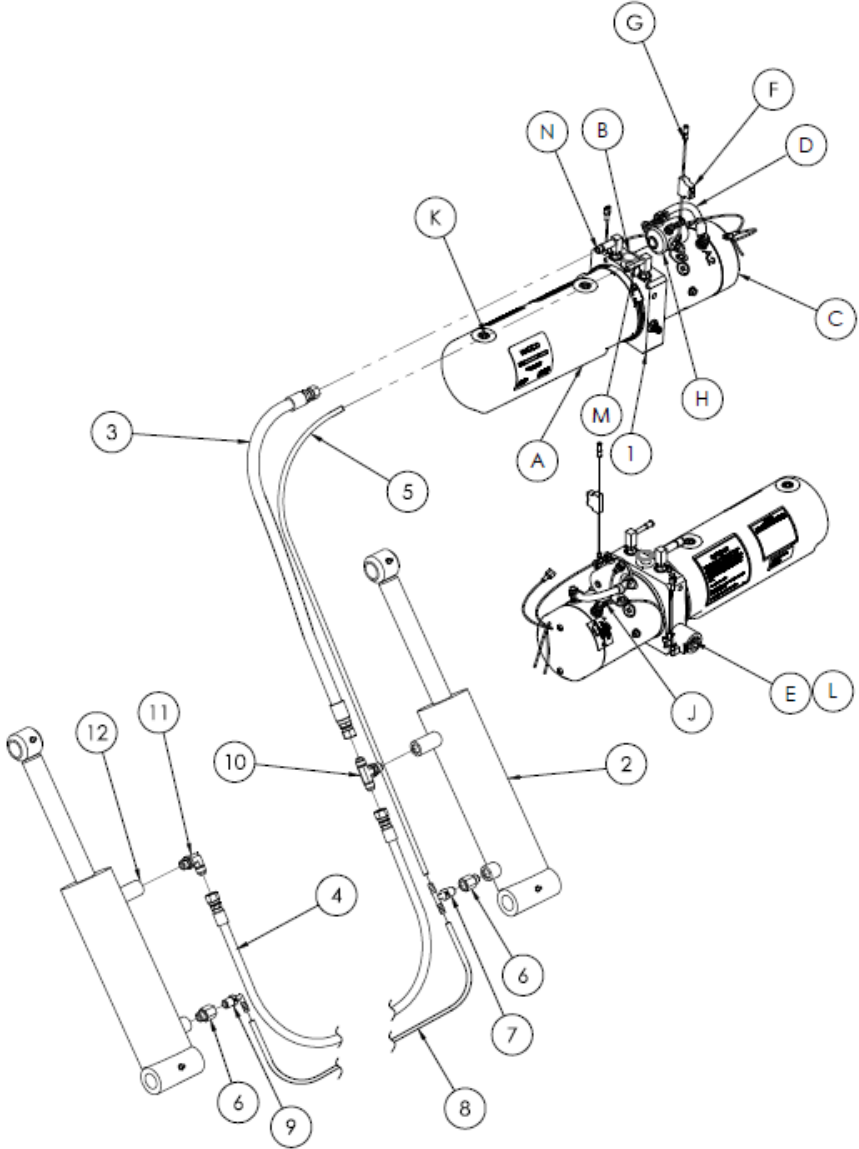
EMTC HYDRAULIC LAYOUT, GRAVITY DOWN



ITEM	PART NUMBER	QTY	DESCRIPTION
1	70430570 ^A	1	Hydraulic Pump Unit w/Thermal Switch Standard after 8-2018
A	70401492 ^B	1	Hydraulic Reservoir
B	70401494 ^B	1	Breather
C	70401488 ^B	1	Motor w/Thermal Switch
D	70401491 ^B	1	Power wire
E	70401487 ^B	1	Valve Solenoid #8 NC 2-way, 2 pos.
F	75089854 ^B	1	Fuse 15A
G	70401490 ^B	1	Inline Fuse Assembly (Includes Fuse 75089854)
H	70401489 ^B	1	Starter Solenoid
J	70401493 ^B	1	Ground wire Assy
K	70091291 ^B	1	Steel Plug
L	70401486 ^B	1	Coil, 10V DC, #8
M	70401430 ^B	1	Elbow, Return
N	70401435 ^B	1	Elbow, Pressure
2	26580010 ^C	2	Hydraulic Cylinder
3	75083111	1	Hose, 3/8" ID x 1/4" JIC x 3/8" JIC
4	7500077-11	1	Hose, 1/4" ID x 3/8" JIC x 3/8" JIC
5	75083023	1	Tube, 1/4" ID
6	7500092-1	2	Adapter, 3/8" ORB x 1/4" NPT
7	75082747	1	Tee Barbed Fitting, 1/4" NPT x 1/4" Tube
8	75083133	1	Tube, 1/4" ID
9	75082745	1	Elbow Barbed Fitting, 1/4" NPT x 1/4" Tube
10	75082887	1	Tee, 3/8" ORB x 3/8" JIC
11	75082869	1	Elbow, 3/8" ORB x 3/8" JIC
12	26580011 ^C	2	Pressure Compensative Valve

^A Manufactured by KTI Hydraulics
^B Included with Pump Unit
^C Hydraulic Cylinder 26580010 includes
Pressure Comp Valve 26580011

EMTC HYDRAULIC LAYOUT, GRAVITY DOWN, WITH KTI PUMP UNIT



ITEM	PART NUMBER	QTY	DESCRIPTION
1	70430580 ^A	1	Hydraulic Pump Unit, With Thermal Switch Standard 3-2012 to 5-2013 Optional after 5-2013 to 1-2016 Standard after 1-2016
	70430585 ^A		Hydraulic Pump Unit, Non-Thermal Switch 2500 lb & 3300 lb Capacity Standard between 5-2013 and 1-2016
	70430560 ^B		Hydraulic Pump Unit 2500 lb and 3000 lb Capacity w/Thermal Switch Standard prior to 3-2012
A	70400828 ^C	1	Hydraulic Reservoir
B	70092312 ^{C,D}	1	Motor, Non-Thermal Switch
	7043001-1 ^C		Motor, w/Thermal Switch
C	10098425 ^C	1	Ground Cable
D	70400014 ^C	1	Valve Assembly, 4-way, 2 pos w/ Coil
E	70092503 ^C	1	Valve Assembly, 2-way, 2 pos w/ Coil
F	75089833 ^C	2	Starter Solenoid
G	10099309 ^C	1	Inline Fuse Assembly (Includes Fuse 75089853)
H	75089854 ^C	1	Fuse
J	70091779 ^C	1	Strap Connector
K	10195506 ^C	2	Cable Assemblies, 6"
L	70400004 ^C	1	Breather
M	70091291 ^C	1	Steel Plug
N	70402303 ^C	2	Coil, 10V, 25W
P	70401435 ^C	2	Elbow, Pressure
Q	75082023 ^D	1	Adapter
2	75083216	2	Hose, 1/4" I.D. x 7/16"-20 JIC x 57" Long
3	7500104-1	1	Elbow, Male, 1/8" NPT x 7/16"-20 JIC
4	7500105-1	1	Elbow, Street, 1/8 NPT
5	7010001-19	1	Flow Valve, 2.75 GPM
6	26480010	1	Hydraulic Cylinder
7	75086732	1	Round Head Screw, 10-32x1"

ITEM	PART NUMBER	QTY	DESCRIPTION
8	75083044	2	Hose Clamp, 1/2"
9	75085000	1	Locknut, 10-32
10	43012382	1	Hose Sleeve
11	75089300	2	Wire Tie, 8"

^A These pump units must be used with hose 75083216, not 75083201.

^B Used prior to 3-20-12.

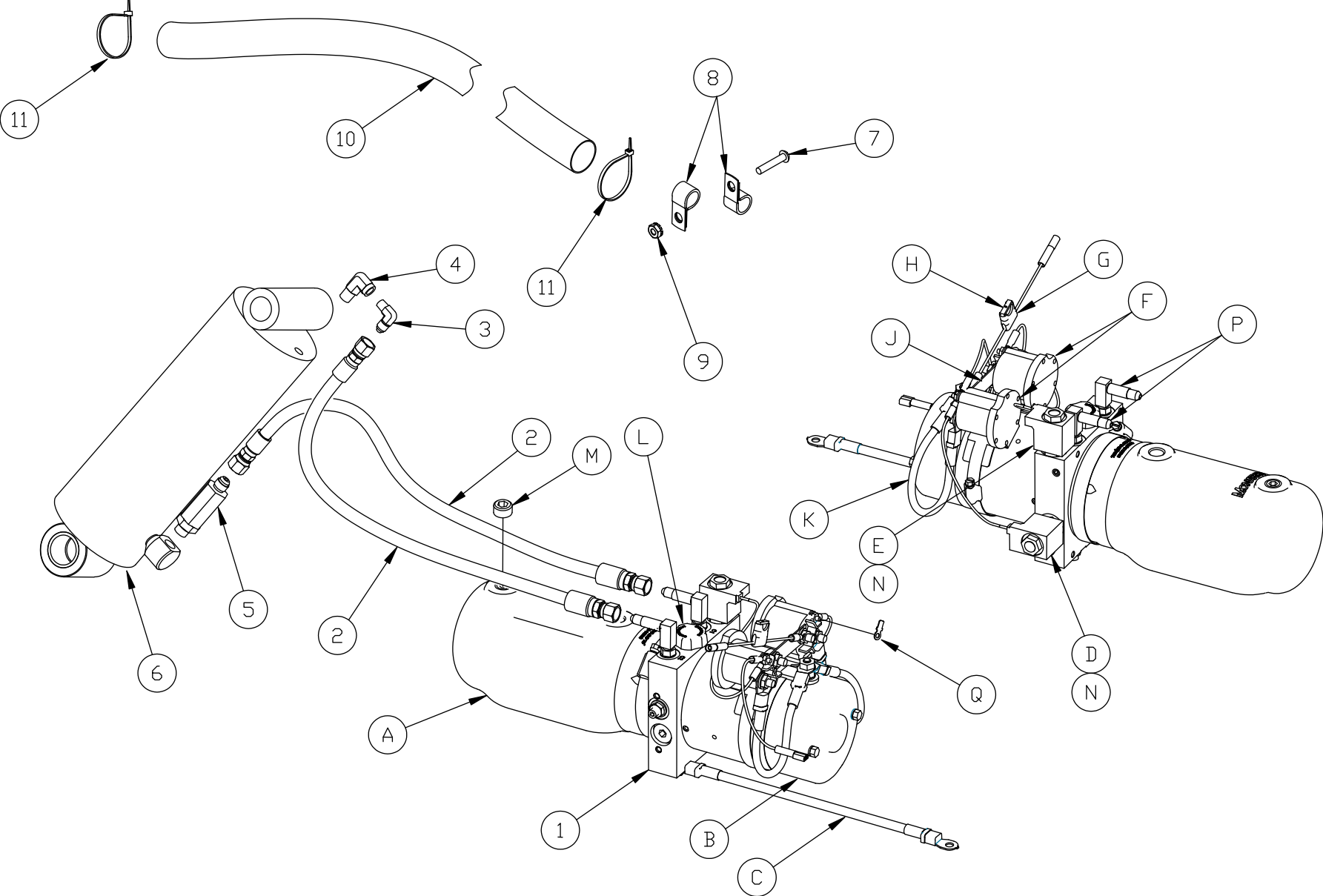
^C Included with Pump Units if applicable.

^D Only used w/Non-Thermal Switch Pump Units.



Pump units listed do not have flow control valves, liftgate must be equipped with a Pressure Compensated Flow Control Valve as shown.

HYDRAULIC LAYOUT, POWER DOWN



ITEM	PART NUMBER	QTY	DESCRIPTION
1	70430580	1	Hydraulic Pump Unit w/Thermal Switch 3300 lb Capacity Only Standard 3-2012 to 5-2013 Optional 5-2013 to 1-2016 Standard after 1-2016
	70430585		Hydraulic Pump Unit Non-Thermal Switch 2500 lb & 3300 lb Capacity Standard between 5-2013 and 1-2016
	70430560 ^A		Hydraulic Pump Unit w/Thermal Switch 2500 lb and 3000 Capacity Standard prior to 3-2012
A	70400828 ^B	1	Hydraulic Reservoir
B	70400004 ^B	1	Breather
C	70092312 ^{B, C}	1	Motor Non-Thermal Switch
	7043001-1 ^B		Motor w/Thermal Switch
D	75089833 ^B	2	Starter Solenoid
E	70092503 ^B	1	Valve Assembly, 2-way, 2 pos w/ Coil
F	75089853 ^B	1	Fuse
G	10099313 ^B	1	Inline Fuse Assembly (Includes Fuse 75089854)
H	70400014 ^B	1	Valve Assembly, 4-way, 2 pos w/ Coil
J	10098425 ^B	1	Ground Cable
K	70091291 ^B	1	Steel Plug
L	70091779 ^B	1	Connecting Strap
M	70091778 ^B	2	Solenoid Cable
N	70402303 ^B	2	Coil, 10V, 25W
P	70401435 ^B	2	Elbow, Pressure
Q	75082023 ^C	1	Adapter
2	26580010 ^D	2	Hydraulic Cylinder
3	75083111	1	Hose, 3/8" ID x 1/4" JIC x 3/8" JIC
4	7500077-11	1	Hose, 1/4" ID x 3/8" JIC x 3/8" JIC
5	7500077-13	1	Hose, 1/4" ID x 1/4" JIC x 3/8" JIC
6	75082890	1	Elbow, 45, 3/8" ORB x 1/4" JIC
7	75083132	1	Tee, 3/8" ORB x 3/8" JIC
8	7500077-12	1	Hose, 1/4" ID x 1/4" JIC x 3/8" JIC

ITEM	PART NUMBER	QTY	DESCRIPTION
9	75082887	1	Tee, 3/8" ORB x 3/8" JIC
10	75082869	1	Elbow, 3/8" ORB x 3/8" JIC
11	26580011 ^D	2	Pressure Compensative Valve

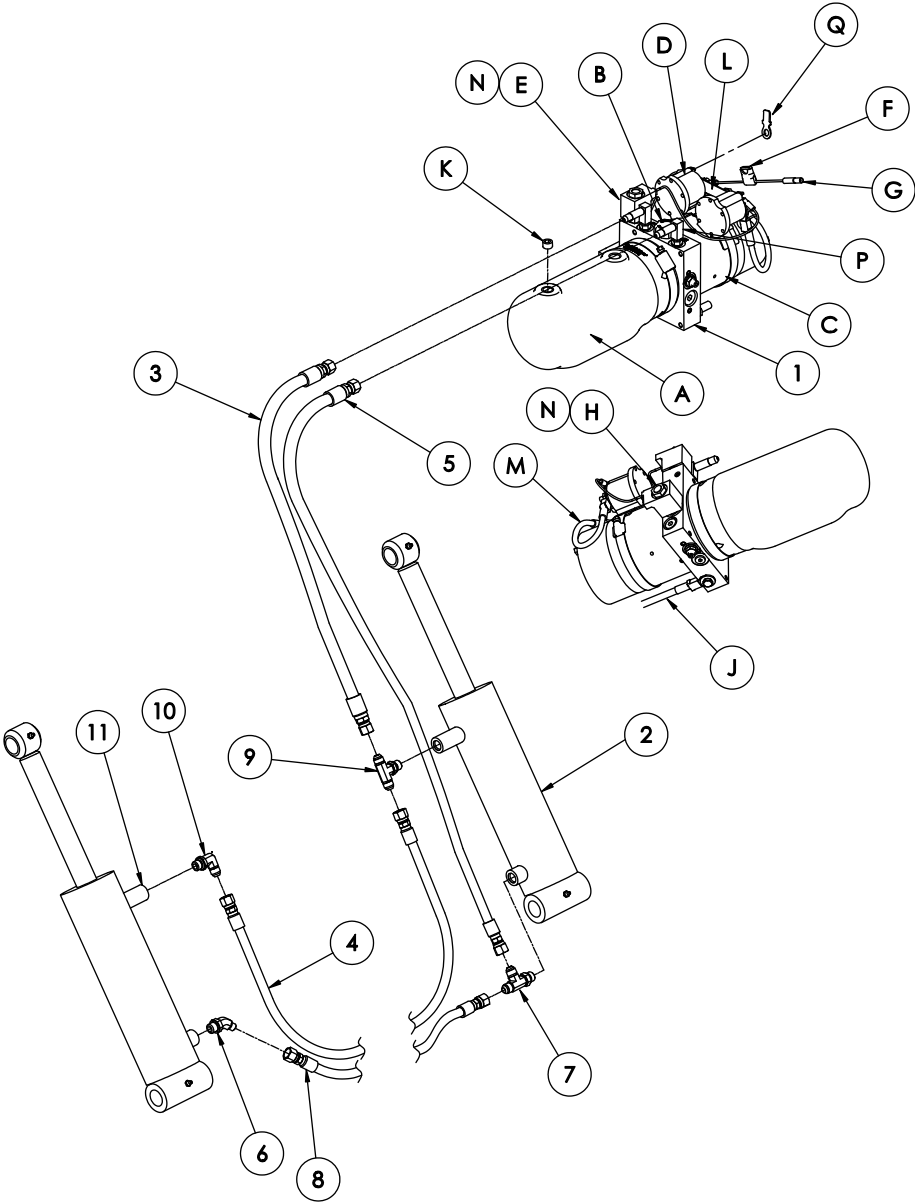
^A Used prior to 3-20-12

^B Included with pump units if applicable.

^C Only used w/Non-Thermal Switch Pump Units.

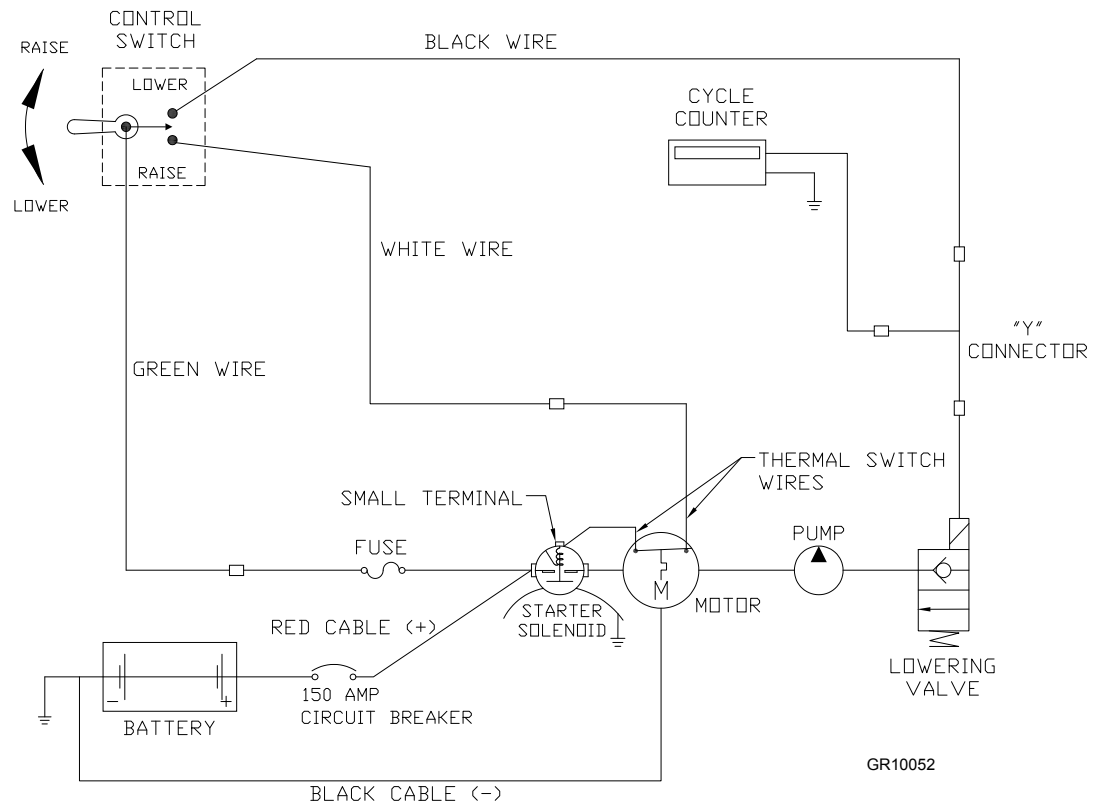
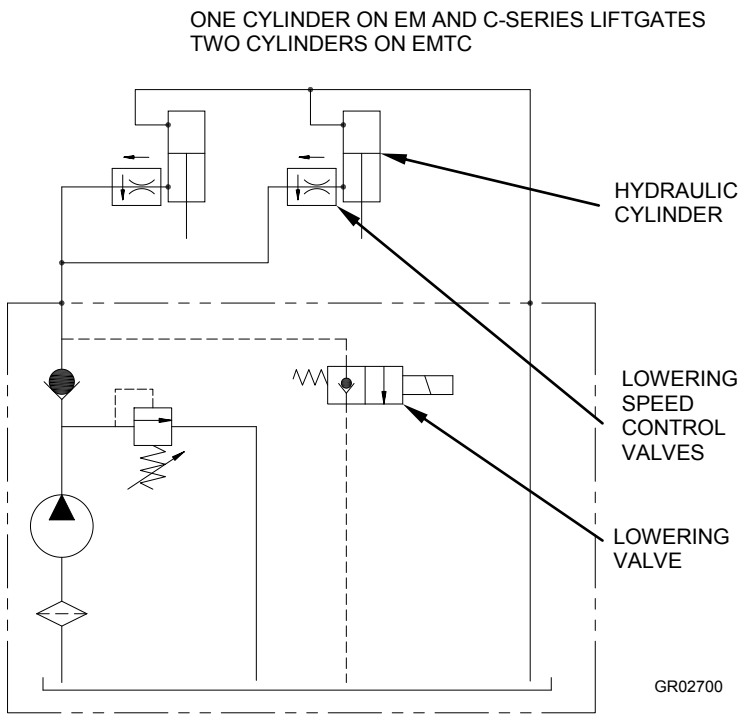
^D Hydraulic Cylinder 26580010 includes Pressure Compensative Valve 26580011

HYDRAULIC LAYOUT, POWER DOWN

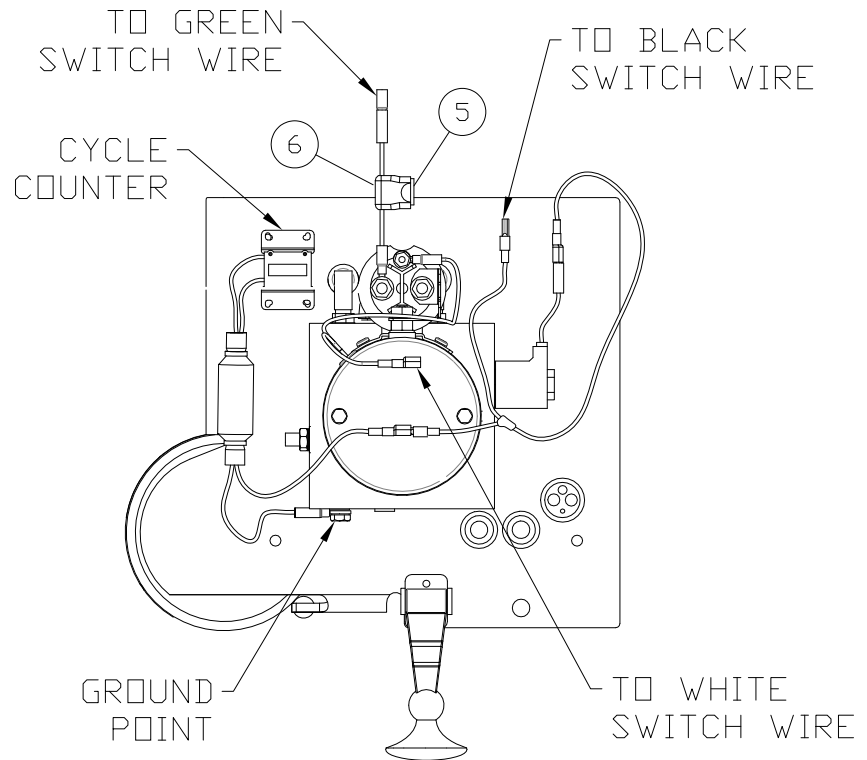
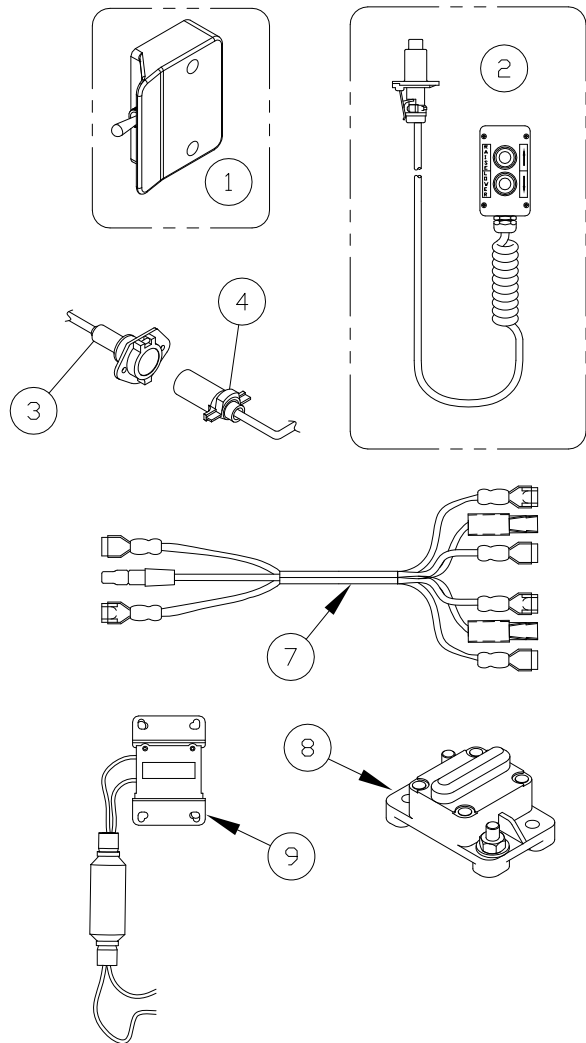


ITEM	PART NUMBER	QTY	DESCRIPTION
1	80001429	1	Switch Kit w/10ft Cord
2	10099325 ^a	1	Switch (Hand Held Remote)
3	75082038	1	Trailer Socket
4	75082037	1	Trailer Plug
5	75089854	1	15 Amp Fuse
6	10099309	1	Fuse Holder
7	10098413	1	Dual Control Harness
8	75089243	1	150 Amp Circuit Breaker (Manual Reset)
9	80001312	1	Cycle Counter Kit

^a Included in Switch Hand Held Remote Kit 80000430.



ELECTRIC CONTROL OPTIONS – Gravity Down



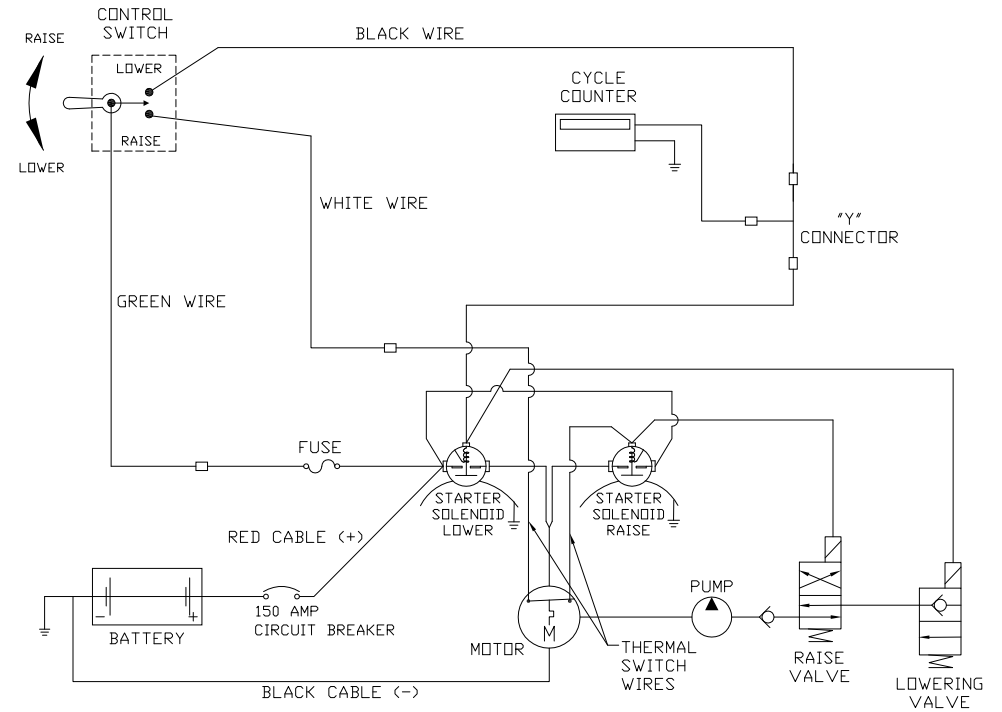
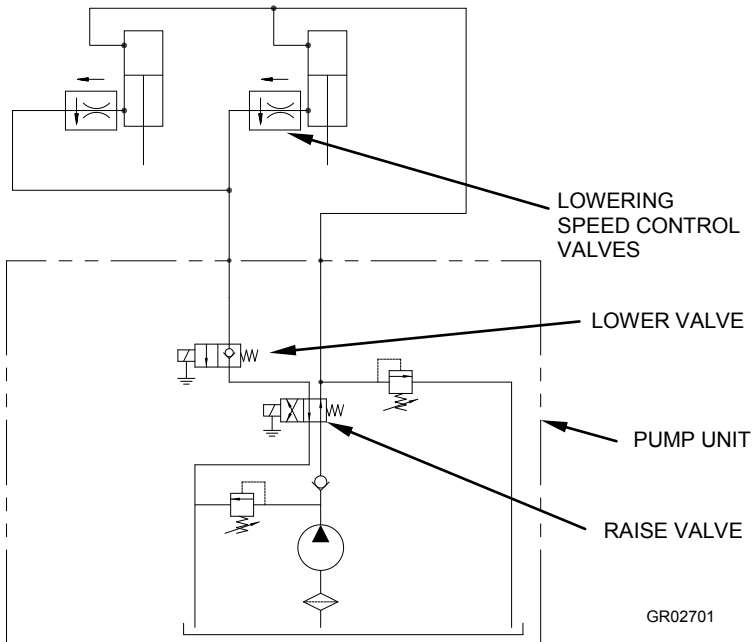
ITEM	PART NUMBER	QTY	DESCRIPTION
1	10099330 ^a	1	Switch w/10ft Cord (for curb side)
	10099331 ^b	1	Switch w/15ft Cord (for Dual Control)
2	10099325 ^c	1	Switch (Hand Held Remote)
3	75082038	1	Trailer Socket
4	75082037	1	Trailer Plug
5	75089854	1	15 Amp Fuse
6	10099309	1	Fuse Holder
7	10098413	1	Dual Control Harness
8	75089243	1	150 Amp Circuit Breaker (Manual Reset)
9	80001312	1	Cycle Counter Kit

^a Included in Switch Kit 80000436.

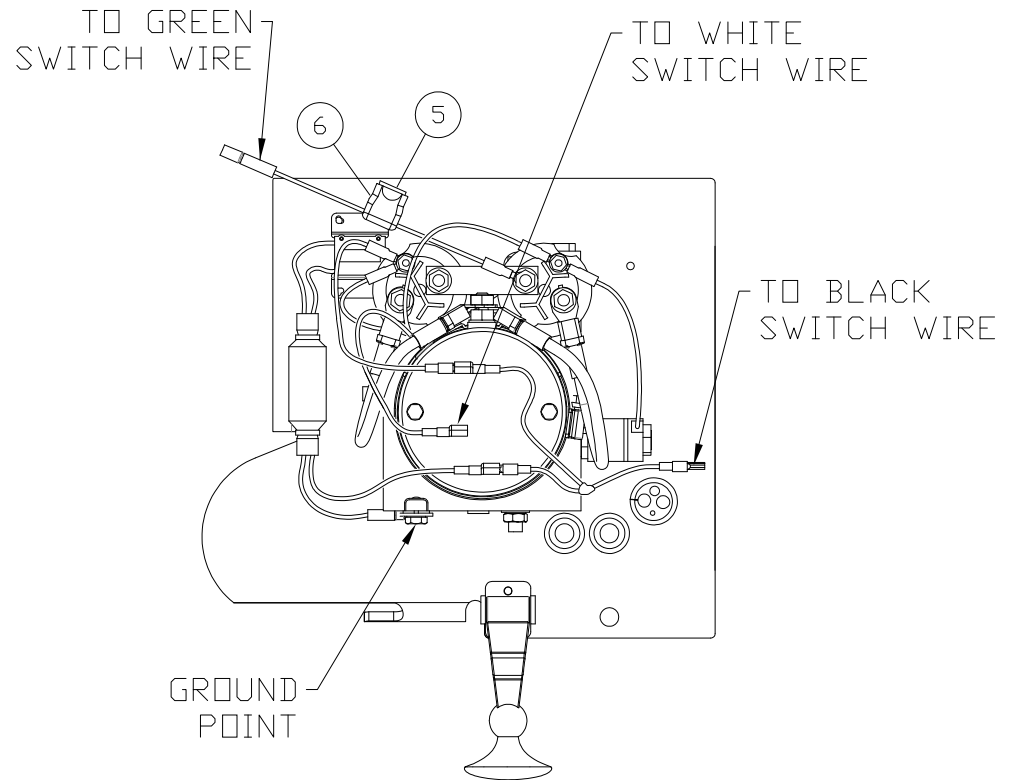
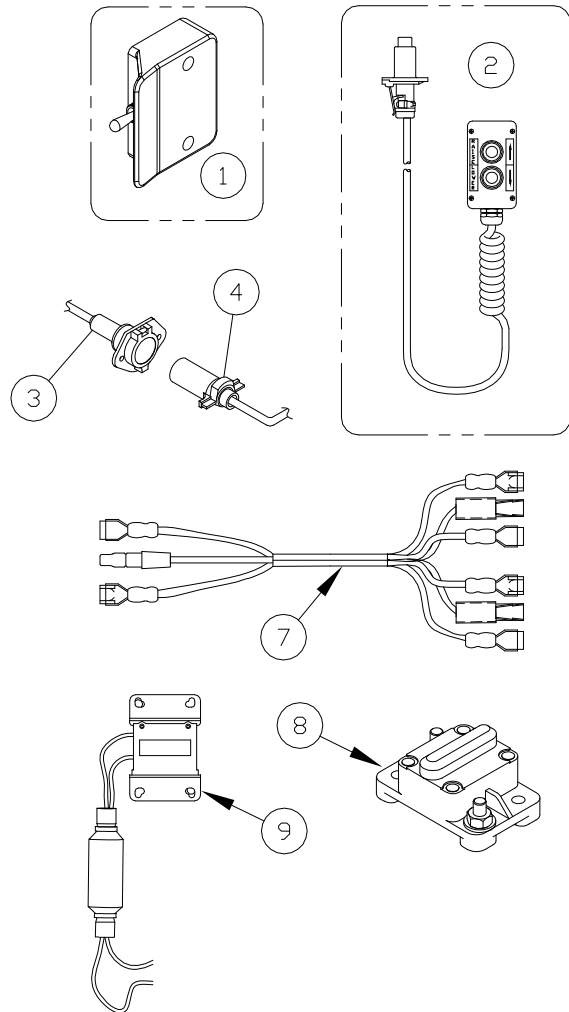
^b Included in Switch Dual Control Kit 80000437.

^c Included in Switch Hand Held Remote Kit 80000430.

ONE CYLINDER ON EM AND C-SERIES LIFTGATES
TWO CYLINDERS ON EMTC LIFTGATES



ELECTRIC CONTROL OPTIONS – Power Down





Every vehicle that has a WALTCO Liftgate must have legible **WARNING AND OPERATION DECALS** clearly posted on the vehicle and an **OWNER'S MANUAL** in the vehicle at all times as a guide for proper operation and maintenance.

Additional **WARNING DECALS**, **OPERATION DECALS** and **OWNER'S MANUALS** can be obtained from **WALTCO LIFT CORP.**

NOTE:

**When ordering, give model
and serial number of the liftgate.**

IMPORTANT

⚠ WARNING

Improper operation and maintenance of this liftgate could result in severe personal injury or death.

Read and understand the contents of liftgate Owner's manual and all warning and operation decals before operating and/or performing maintenance on this liftgate.

**For SAFETY information on this liftgate see
Chapter 1 of Owner's manual**